

## GRUN LED N SE

### Naświetlacz Led



$[V]$ 220-240 AC	$[Hz]$ 50/60	$[^\circ]$ 110	$\geq 15000$	$[h]$ 20000	$T_c [K]$ 4000	ellipse $\leq 6x$ Maxdam
$R_a$ $\geq 80$	SMD			IP 44	$[^\circ C]$ -20÷35	
	$[^\circ]$ 180		$[m]$ 0,3	$[mm^2]$ 0,75	0,5m	
CE	EAC					



GRUN LED N-10-B-SE

	$[W]$	$[lm]$	$T_c [K]$	$[^\circ]$	IP	
GRUN LED N-10-B-SE <b>31066</b>	10	700	4000	110	44	czarny
GRUN LED N-20-B-SE <b>31067</b>	20	1400	4000	110	44	czarny
GRUN LED N-30-B-SE <b>31068</b>	30	2100	4000	110	44	czarny
GRUN LED N-50-B-SE <b>31069</b>	50	3500	4000	110	44	czarny



- Materiał obudowy: stop aluminium
- Materiał szyby ochronnej: szkło hartowane



GRUN LED N-10-B-SE



GRUN LED N-20-B-SE

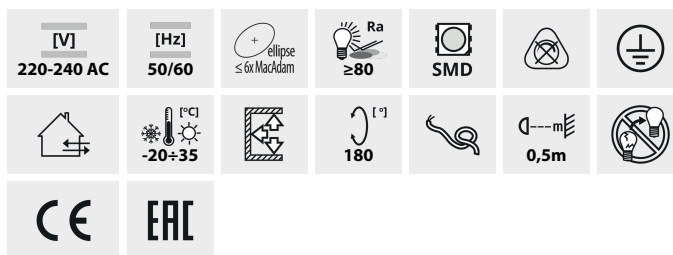


GRUN LED N-30-B-SE



GRUN LED N-50-B-SE

## Naświetlacz Led



GRUN N LED-10-B-SE

		[lm]	[lm]	[lm]	[lm]	[lm]	[lm]	[lm]
GRUN N LED-10-B-SE	<b>30324</b>	10	700	4000	110	44	czarny	
GRUN N LED-20-B-SE	<b>30325</b>	20	1400	4000	110	44	czarny	
GRUN N LED-30-B-SE	<b>30326</b>	30	2100	4000	110	44	czarny	
GRUN N LED-50-B-SE	<b>30327</b>	50	3500	4000	110	44	czarny	
GRUN N LED-10-B	<b>30350</b>	10	700	4000	110	65	czarny	
GRUN N LED-20-B	<b>30351</b>	20	1400	4000	110	65	czarny	
GRUN N LED-50-B	<b>30353</b>	50	3500	4000	110	65	czarny	



- Materiał obudowy: stop aluminium
- Materiał klosza: szkło hartowane



GRUN N LED-10-B-SE



GRUN N LED-20-B-SE



GRUN N LED-30-B-SE



GRUN N LED-50-B-SE

# GRUN N

## Naświetlacz Led



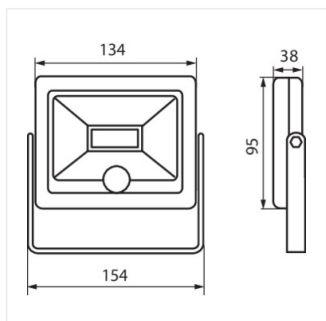
GRUN N LED-10-B



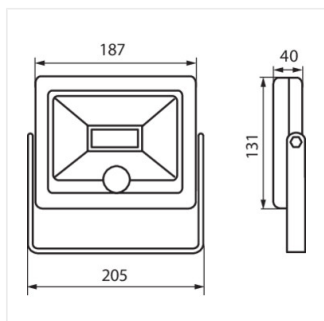
GRUN N LED-20-B



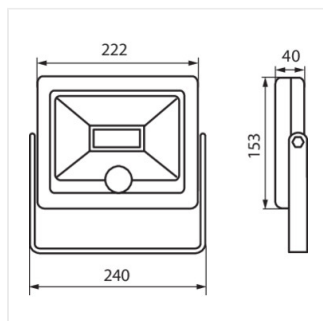
GRUN N LED-50-B



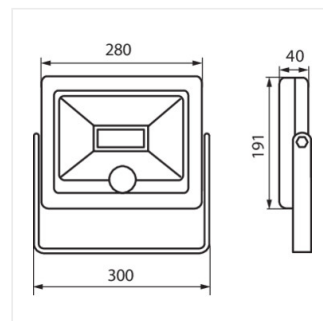
GRUN N LED-10-B-SE



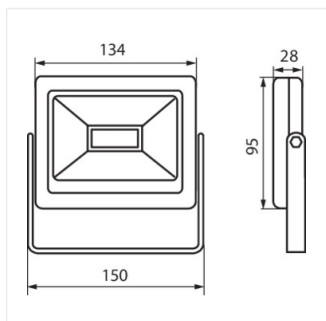
GRUN N LED-20-B-SE



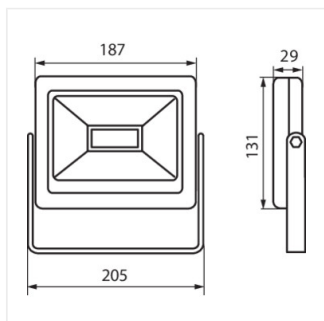
GRUN N LED-30-B-SE



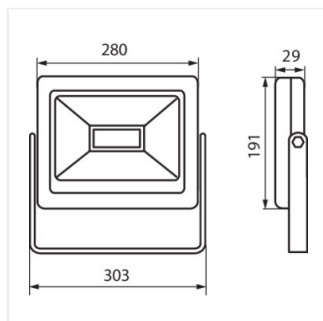
GRUN N LED-50-B-SE



GRUN N LED-10-B



GRUN N LED-20-B



GRUN N LED-50-B