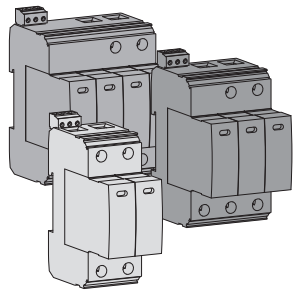
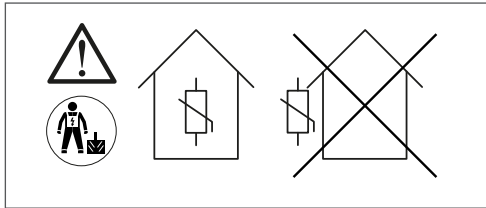


6LE007643Ab/1294527-01 - CO-151980

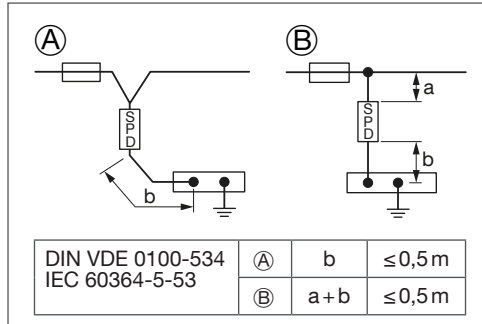


- (DE) Überspannungsableiter
- (EN) Surge protective device
- (FR) Parafoudre
- (PL) Ogranicznik przepięć (SPD)

SPA911 (TT/TN-S), SPA930 (TN-C), SPA931 (TT/TN-S), SPA932 (TT/TN-S)



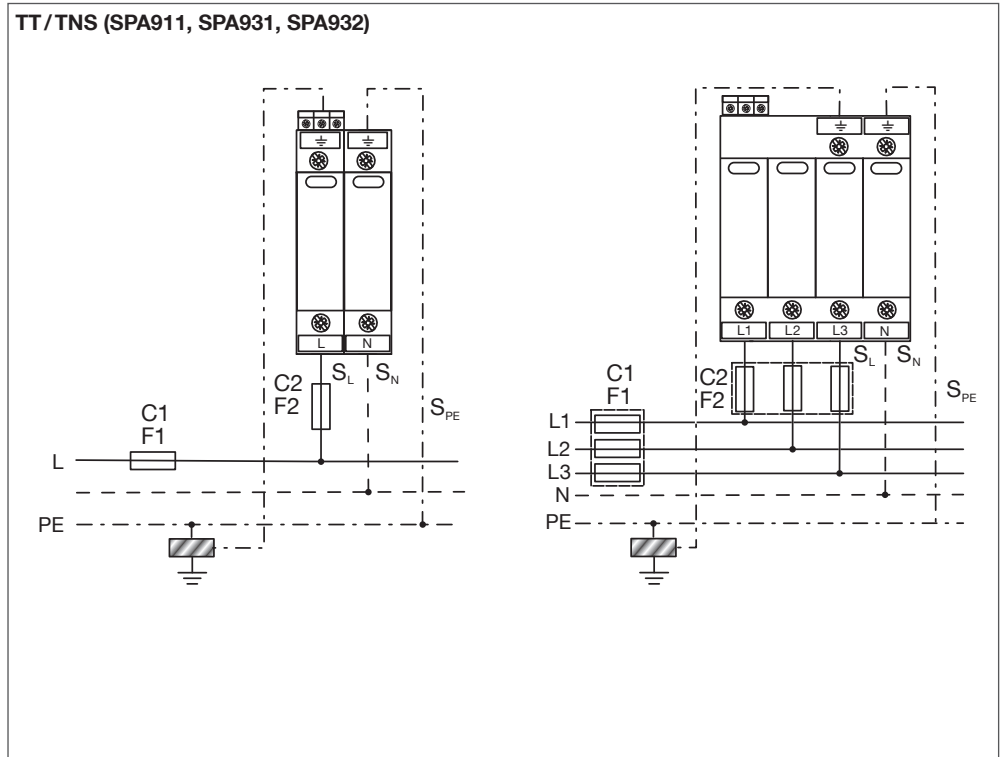
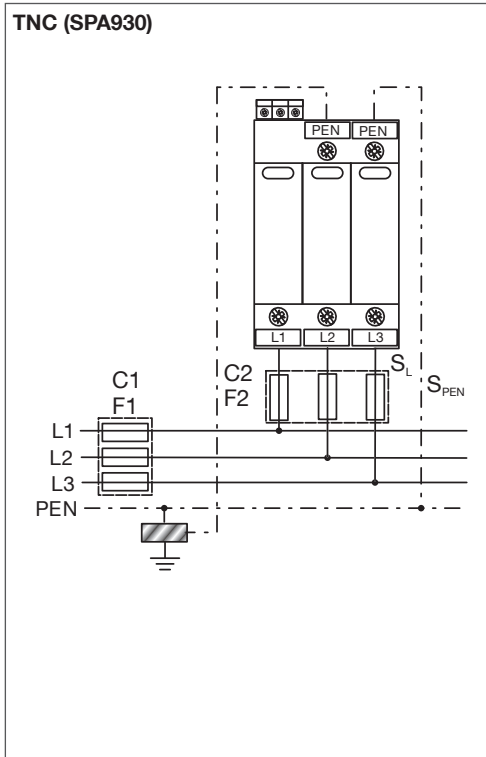
EN 61643-11 IEC 61643-11	Typ/type 1 + Typ/type 2 Class I + Class II
U_n	240/415V (50/60Hz)
U_c	335V (L-N); 264V (N-PE)
Humidity/ Wilgotność	5%...95%
9°C	-40/+80°C
Ports/ Liczba przyłączy	1
IP code/ Stopień ochrony IP	20 (built in)
max parallel/ równoległe	160 AgG
I_{max} (8/20 μs)	50 kA






3 Nm (1.5 - 16 mm²)
4.5 Nm 25 - 35 mm²

min. L, N, PE, ⚡	1,5 mm ²	
max. L, N, PE, ⚡	25 mm ²	35 mm ²

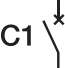
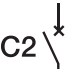

	LxWxH (mm)	I _{imp} (10/350 μs) L-N/N-PE	I _n (8/20 μs)	U _p	I _{scrr}	I _{pe}	Cartridge/ Modulu
SPA911	77.5x35.6x98.7	12.5 kA/ 50 kA	12.5 kA/ 50 kA	L-N ≤ 1,2 kV N-PE ≤ 1,7 kV	25 kA _{rms} I _{fl} (N-PE) = 100 A _{rms}	< 5 μA	 1 1 Ph+N + 1 x SPA090 1 1 x SPA090N
SPA930	77.5x53.4x98.7	12.5 kA	12.5 kA	L-PEN ≤ 1,2 kV	25 kA _{rms}	< 2400 μA	 3 3 Ph + 3 x SPA090 0
SPA931 SPA932	77.5x71.2x98.7	12.5 kA/ 50 kA	12.5 kA/ 50 kA	L-N ≤ 1,2 kV N-PE ≤ 1,7 kV	25 kA _{rms} I _{fl} (N-PE) = 100 A _{rms}	< 5 μA	 3 3 Ph + N + 3 x SPA09x 1 1 x SPA09xN



Backup Fuse

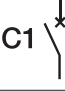

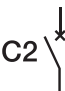
F1 	F1 ≤ 160 AgG ↓ 
F2 	F1 > 160 AgG ↓ F2 ≤ 160 AgG

Backup Hager MCB (Isc = 10 kA)

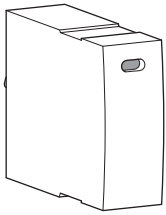
C1 	C1 > 63 AgG ↓ C2 ≤ 63 AgG
C2 	C1 ≤ 63 AgG ↓ 

F1/C1 A/gG	F2/C2 A/gG	S _L =S _N mm ²	S _{PE(N)} mm ²
25		10	16
35		10	16
40		10	16
50		10	16
63		10	16
80		10	16
100		16	16
125		16	16
160		25	25
> 160	160	25	25

Backup Hager MCCB (P160/x160) Max Isc = 25 kA

C1 	C1 ≤ 160 A ↓ 
C2 	C1 > 160 A ↓ C2 = x160 (160 A) or P160 (160 A)

SPA911, SPA930, SPA931, SPA932




Rot/Red/Rouge/Czerwony

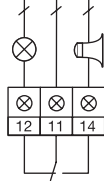


Replace / Wymiana

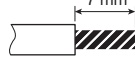
SPA911, SPA930, SPA931



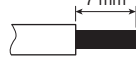
PZ2 (+)
0,25 Nm



U max./I max. AC :	250 V/1,5 A 125 V/1 A (UL)
U max./I max. DC :	30 V/1 A
0,14 - 1,5 mm ² AWG 28 - 16	



7 mm



7 mm

SPA090 (L - N), SPA090N (N - PE), SPA091 (L - N), SPA091N (N - PE)

