

h3+ P160

**MCCB 3P ENERGY**

**HTC160H**

	A (mm)
3P	90
4P	120

	B (mm)
TM-LSI	72,5
Energy	74,5

**PH2** **1 Nm**

**M4**

**mm**

TRIP →

OFF

→

ON

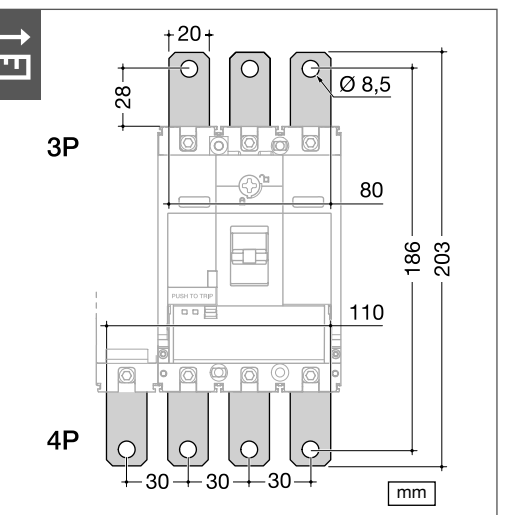
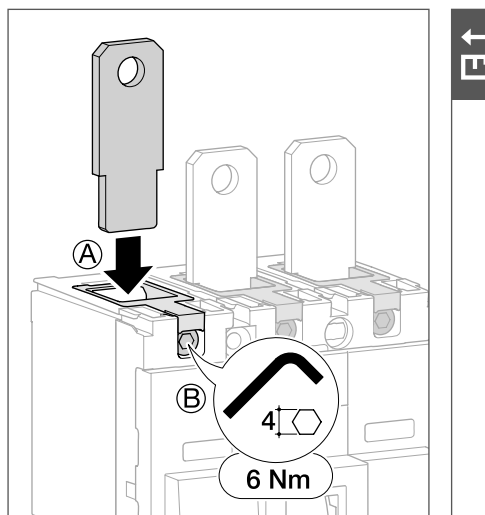
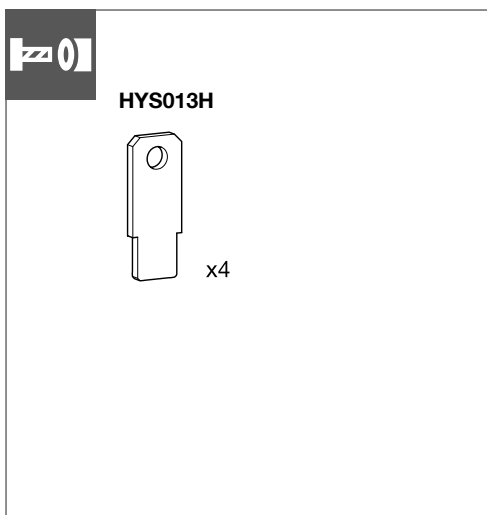
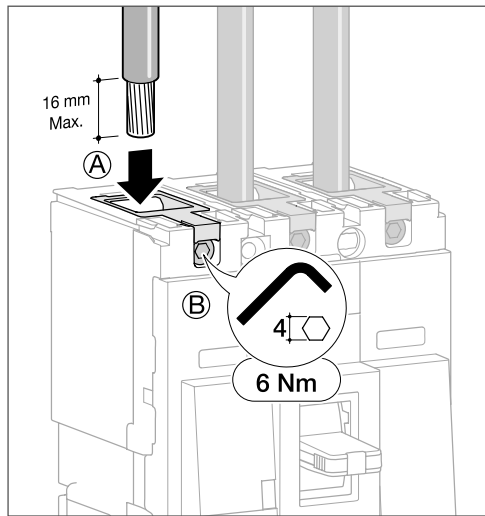
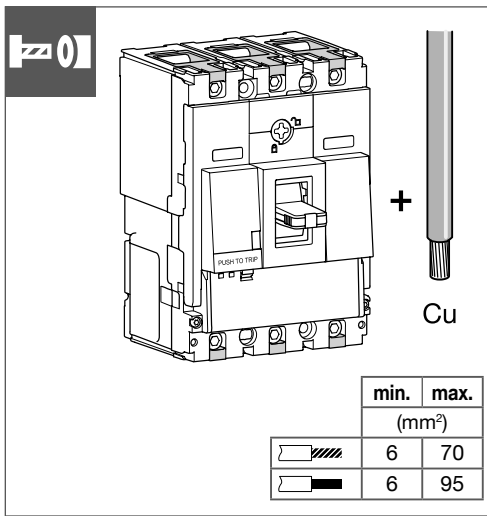
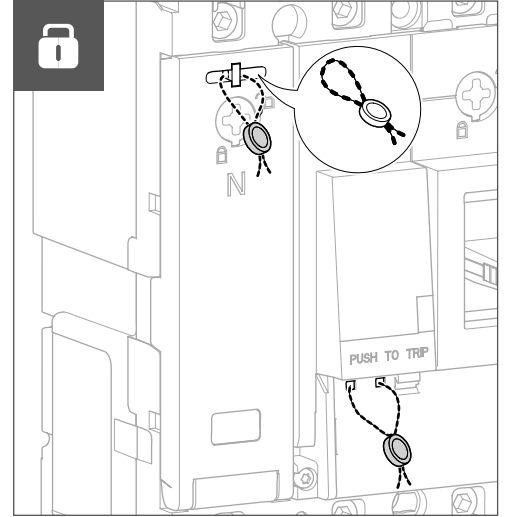
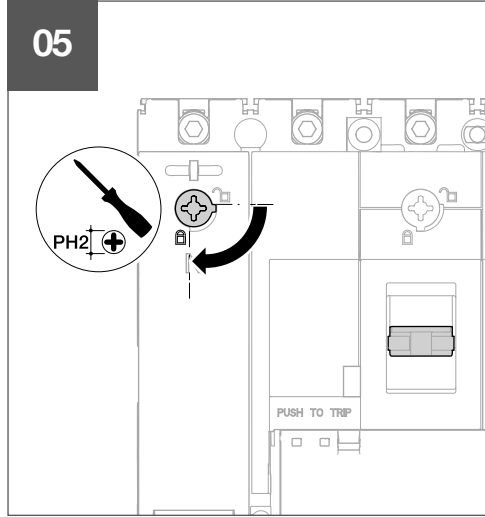
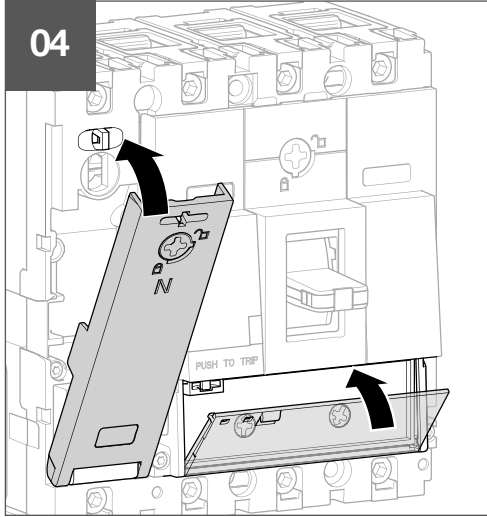
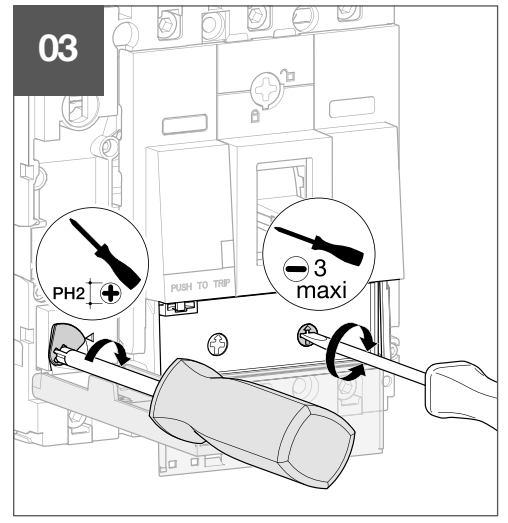
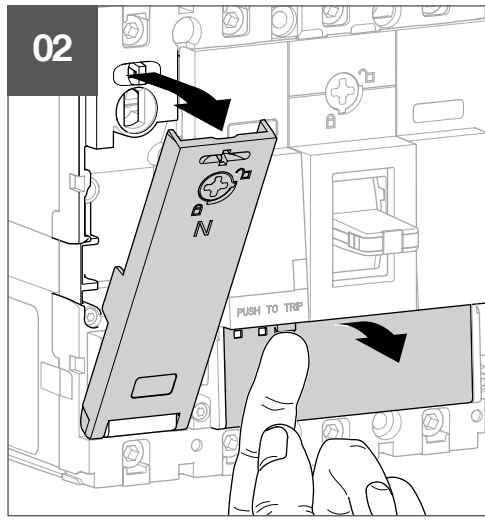
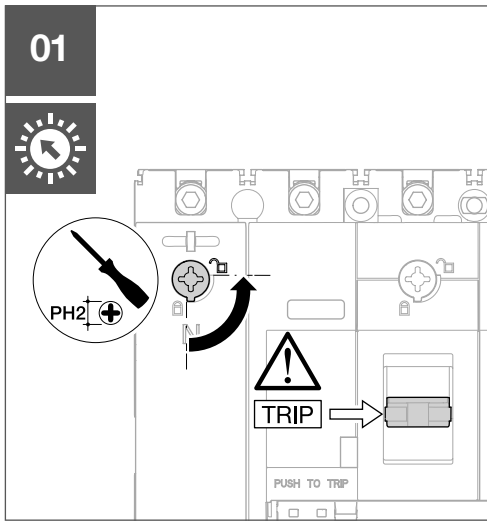
→

TRIP

→

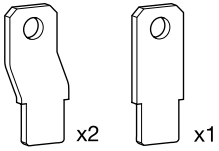
OFF

**Clack!**

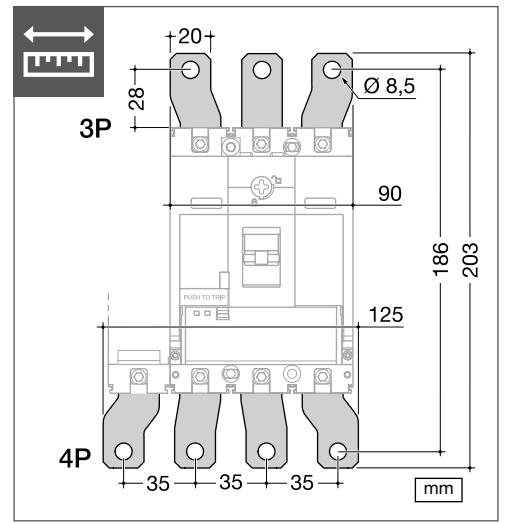
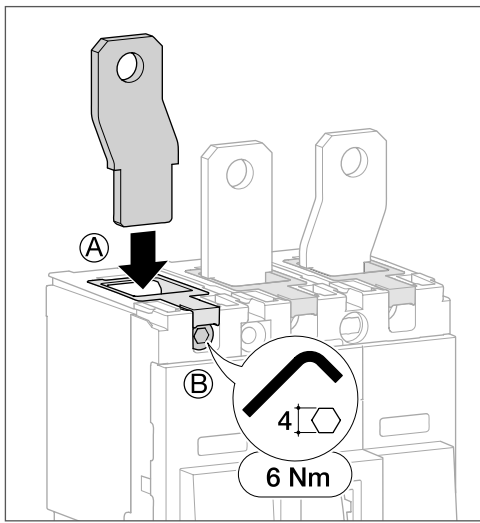
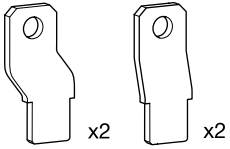


**0**

**HYS014H (3P)**

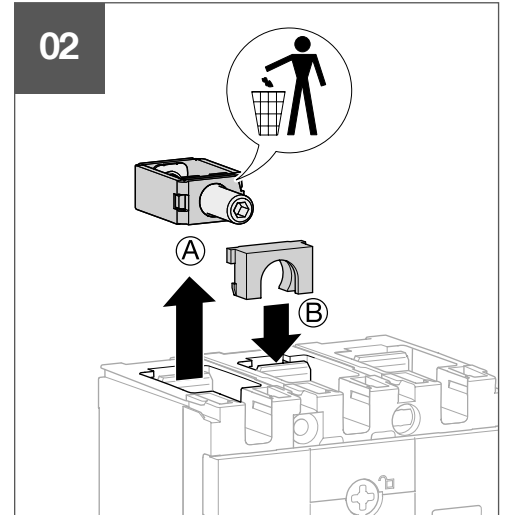
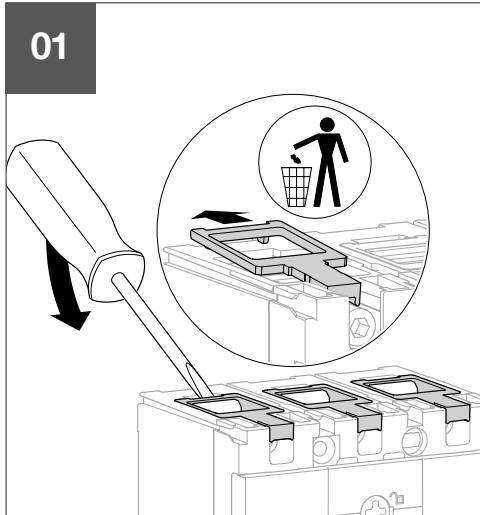
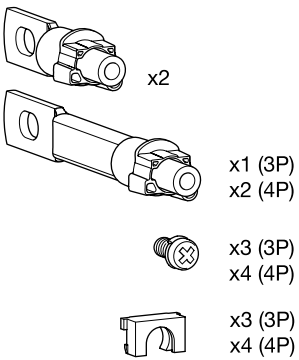


**HYS015H (4P)**

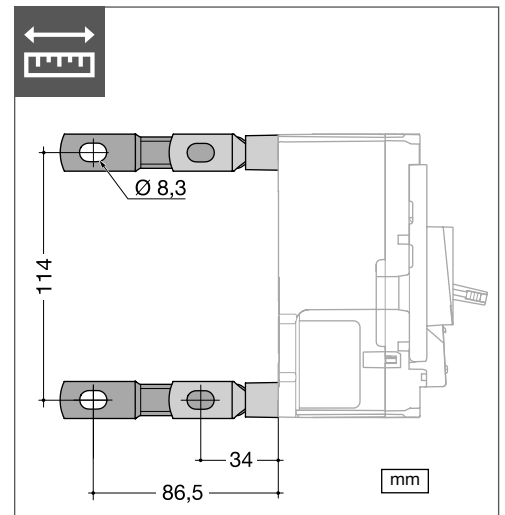
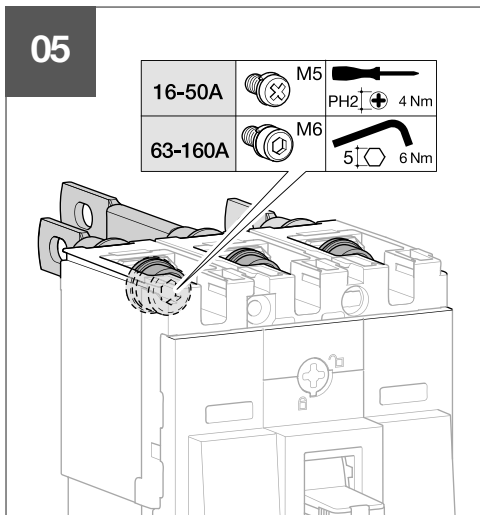
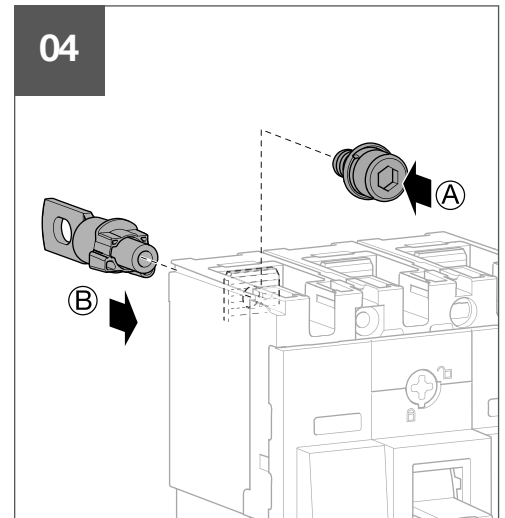
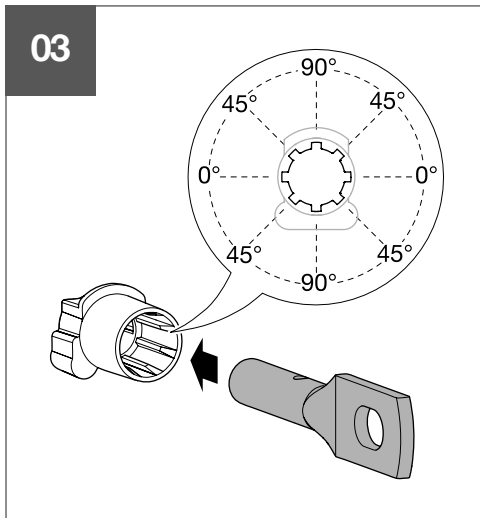
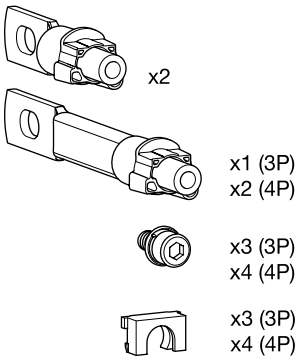


**0**

**HYS031H (3P 16-50A)  
HYS032H (4P 16-50A)**



**HYS131H (3P 63-160A)  
HYS132H (4P 63-160A)**



**01**

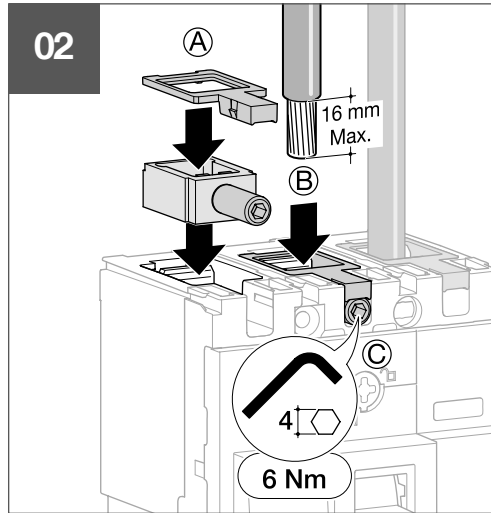
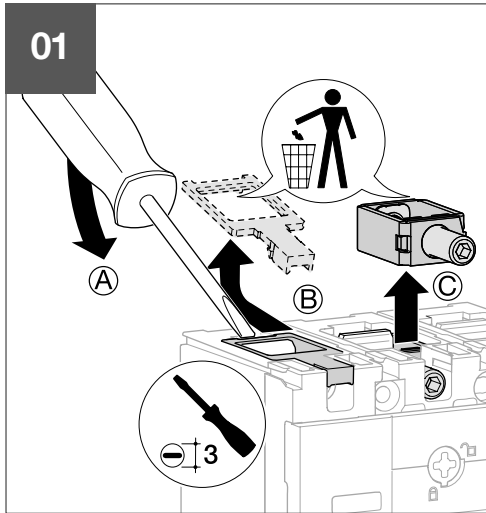
**HYS001H (3P)  
HYS002H(4P)**

x3 (3P)  
x4 (4P)

x3 (3P)  
x4 (4P)

Cu  
Al

	min.	max.
	(mm <sup>2</sup> )	
	10	70
	10	95



**01**

**HYS005H (3P)  
HYS006H (4P)**

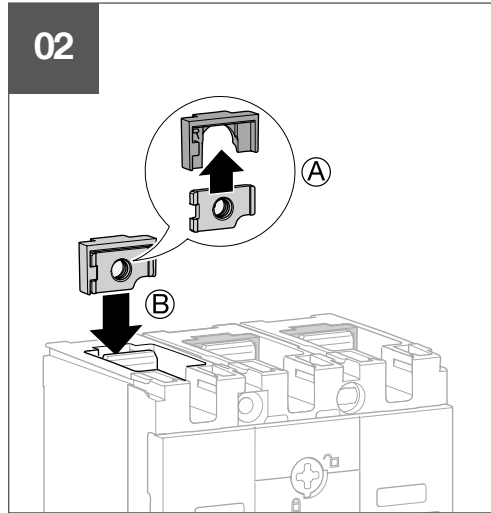
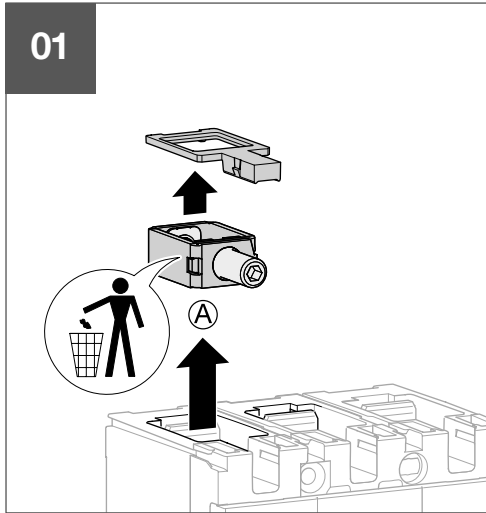
x3 (3P)  
x4 (4P)

x3 (3P)  
x4 (4P)

x3 (3P)  
x4 (4P)

Cu  
Al

	min.	max.
	(mm <sup>2</sup> )	
	35	95
	35	120



**01**

**HYS055H (3P)  
HYS056H (4P)**

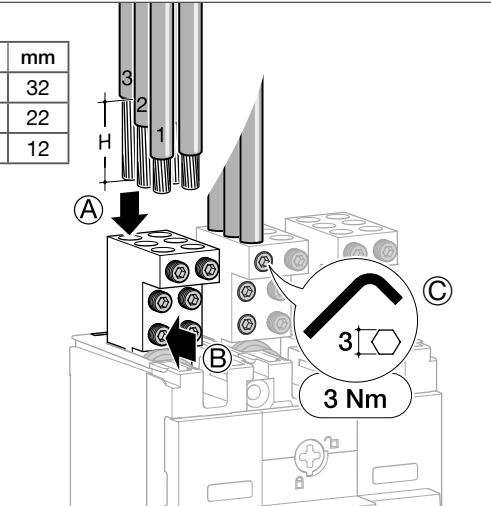
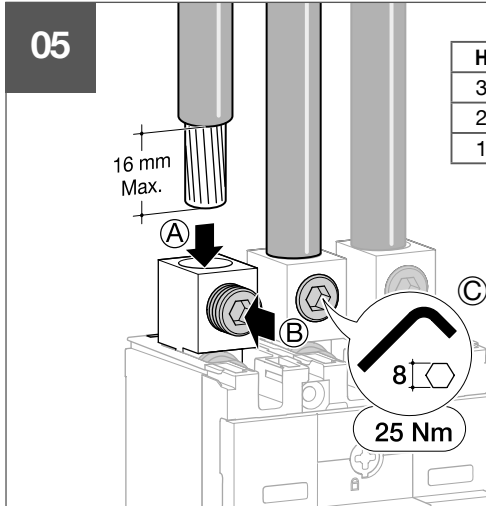
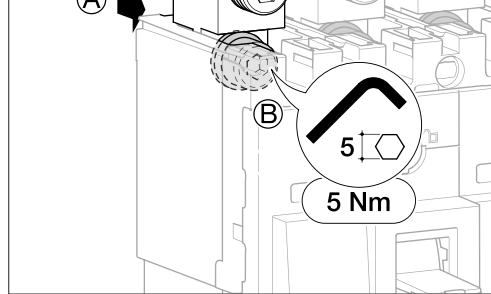
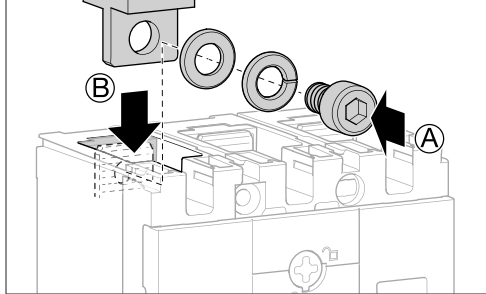
x3 (3P)  
x4 (4P)

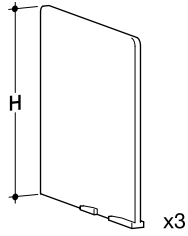
x3 (3P)  
x4 (4P)

x3 (3P)  
x4 (4P)

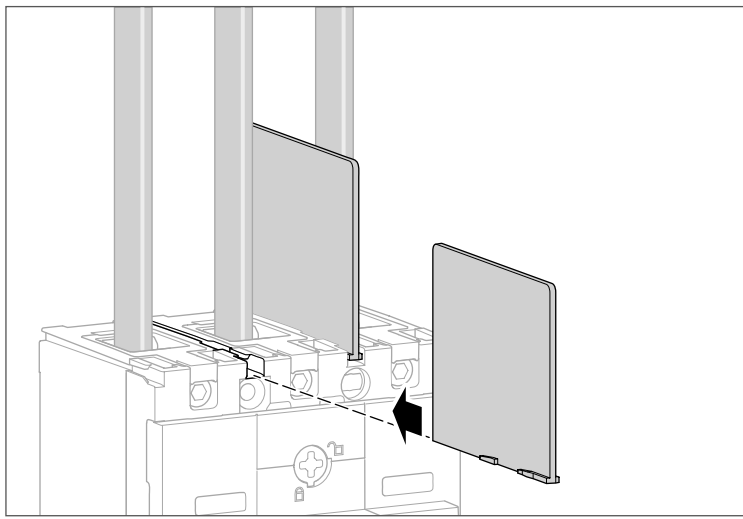
Cu  
Al

	min.	max.
	(mm <sup>2</sup> )	
	4	16
	4	25

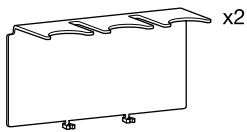




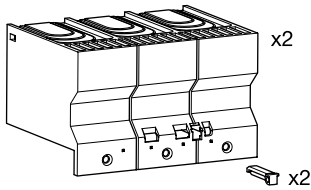
		H (mm)	
		50	100
3P/4P		HYS019H	HYT019H



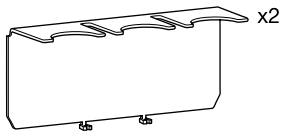
HYS050H (3P)  
HYS051H (4P)



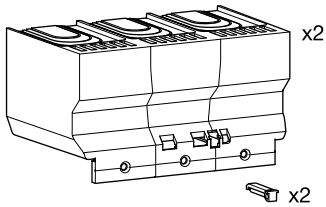
HYS021H (3P)  
HYS022H (4P)



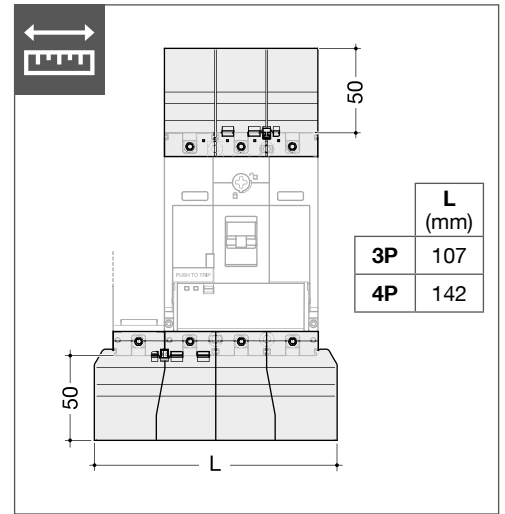
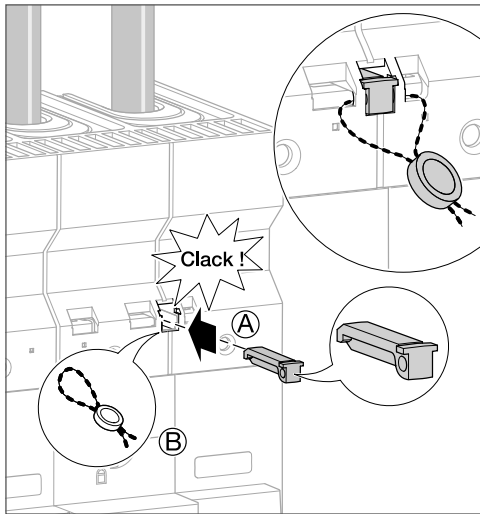
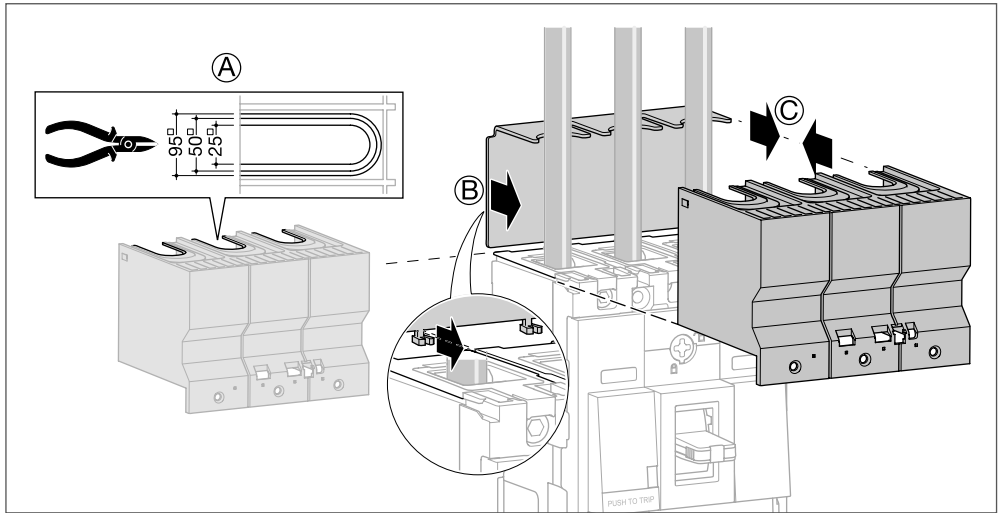
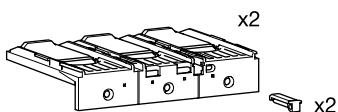
HYS052H (3P)  
HYS053H (4P)



HYS023H (3P)  
HYS024H (4P)



HYS025H (3P)  
HYS026H (4P)



	L (mm)
3P	107
4P	142

