

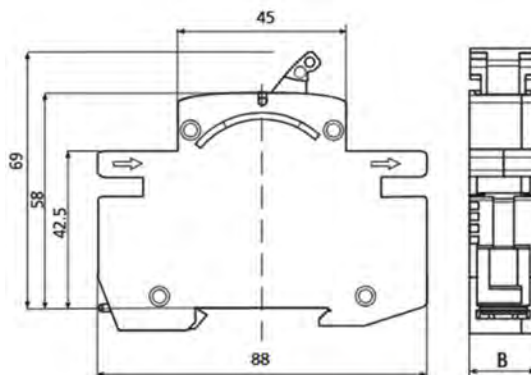
Fuse switch disconnecter VLD01

INSTALLATION INSTRUCTION

LV-fuse switch disconnecter

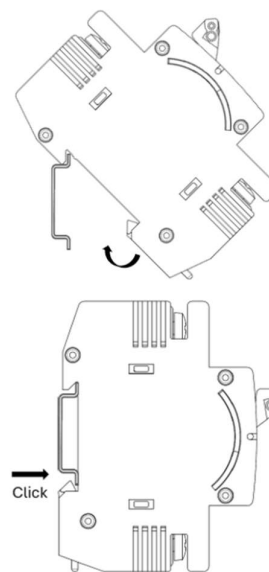


Dimensions (mm)



| type | B [mm] |
|------|--------|
| 1p | 17,5 |
| 1p+N | 35 |
| 2p | 35 |
| 3p | 52,5 |
| 3p+N | 70 |

Installation - on distribution board with cover

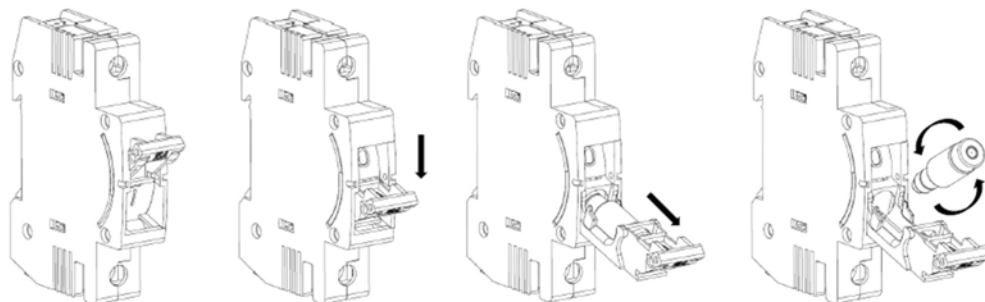


IEC/EN 60947-3
IEC 60269-3 AC-22A 1,5...25mm²
D01 16A 2,5W 14
2,5 - 3Nm
PZ2 / Ø5,5...6,5

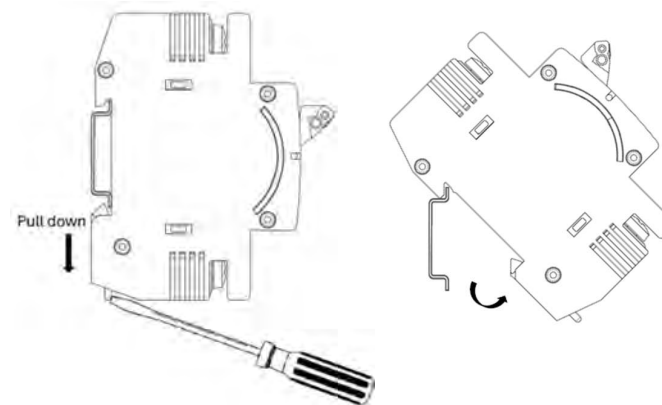
CE EAC
IP20

Made in Slovenia
ETI, d.o.o., Obrezija 5, SI-1411 Izlake

Fuse link replace



Disassembly



ETI d.o.o.
Obrezija 5
SI - 1411 Izlake

