

# DPX-IS 630 isolating switch by visible isolation, with or without release

Cat.No(s) : 0 266 60 to 0 266 83



## CONTENT

## Page

1. Use.....	1
2. Range .....	1
3. Dimensions.....	1
4. Connection.....	2
5. Technical characteristics .....	2
6. Marking .....	3
7. Equipments and accessories .....	3
8. Standards and regulations .....	4
9. Other informations .....	4

### 1. USE

DPX-IS allows safe disconnection of installations and electrical lines of 400 A or 630 A. They are available in 2 panel-mountable versions, with or without release, and come with terminal shields. Padlock integrated in the handle. Can be mounted in enclosures with mounting plate in horizontal or vertical position.

### 2. RANGE

#### 2.1 With release

In (A)	Front handle		Right-hand side handle		Left-hand side handle	
	3P	4P	3P	4P	3P	4P
400	0 266 72	0 266 74	0 266 76	0 266 78	0 266 80	0 266 82
630	0 266 73	0 266 75	0 266 77	0 266 79	0 266 81	0 266 83

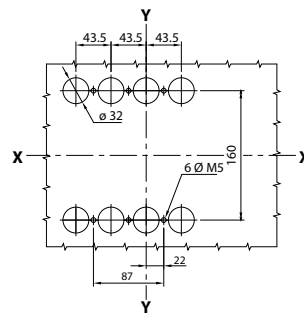
#### 2.2 Without release

In (A)	Front handle		Right-hand side handle		Left-hand side handle	
	3P	4P	3P	4P	3P	4P
400	0 266 60	0 266 62	0 266 64	0 266 66	0 266 68	0 266 70
630	0 266 61	0 266 63	0 266 65	0 266 67	0 266 69	0 266 71

RCD module: No  
 Auxiliary contact or fault signal: Yes  
 Shunt or undervoltage releases: Yes  
 Motor-driven handle: No  
 Rotary handle: Yes  
 Fixed version: Yes  
 Draw-out version: No  
 Weight: 5.5 kgs

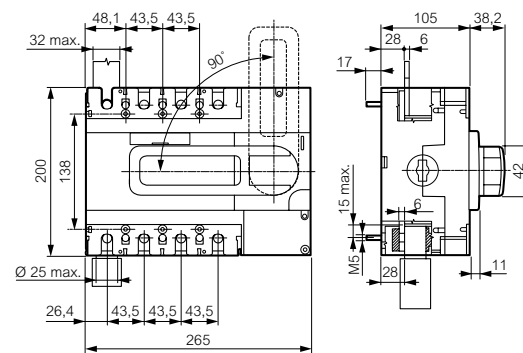
### 3. DIMENSIONS

#### 3.1 Installation

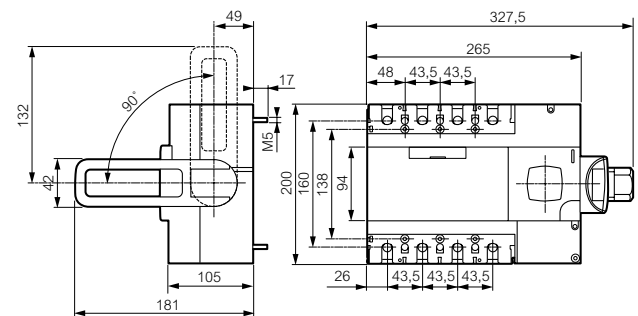


#### 3.2 Dimensions

##### Front handle



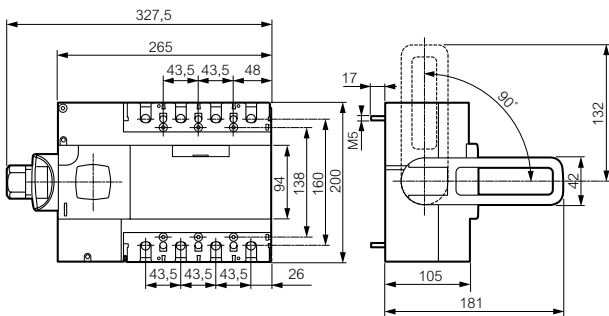
##### Right-hand side handle



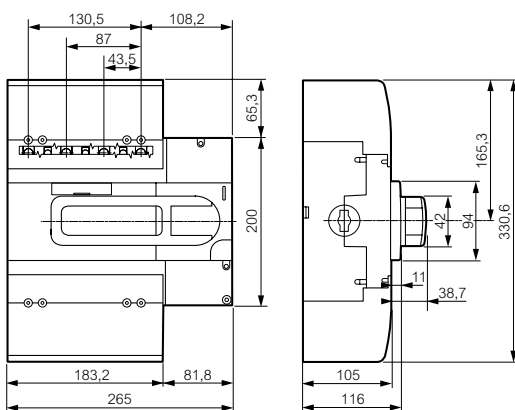
**3. DIMENSIONS (continued)**

**3.2 Dimensions (continued)**

Left-hand side handle

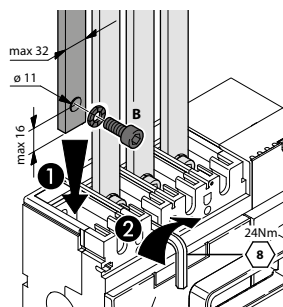


Front handle with terminal shields

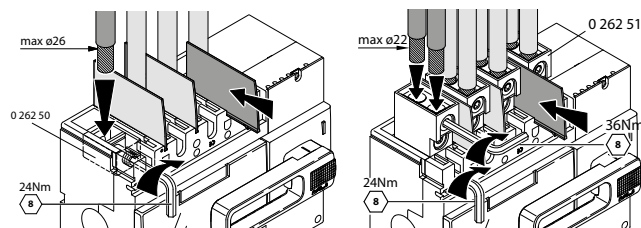


**4. CONNECTION**

**4.1 DPX-IS front terminals**

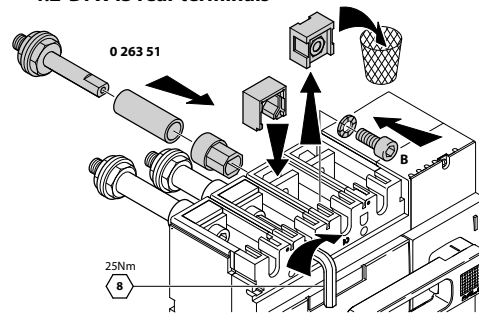


Connection by bars: connection range for copper and aluminium bars with a maximum width of 32 mm

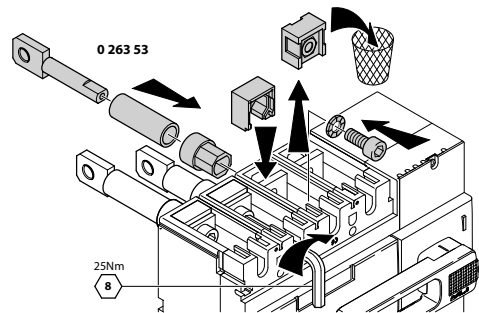


Connection by cables with terminals:  
 - for Cu/Al cables 300 mm<sup>2</sup> (rigid) or 240 mm<sup>2</sup> (flexible) : Cat. No 0 262 50  
 - for Cu/Al cables 2x240 mm<sup>2</sup> (rigid) or 2x185 mm<sup>2</sup> (flexible) : Cat. No 0 262 51

**4.2 DPX-IS rear terminals**



Set of threaded rear terminals for top and bottom connections  
 3P : Cat. No 0 263 50 / 4P : Cat. No 0 263 51



Set of orientable flat rear terminals for top and bottom connections  
 3P : Cat. No 0 263 52 / 4P : Cat. No 0 263 53

**5. TECHNICAL CHARACTERISTICS**

**5.1 Electrical and mechanical characteristics**

	DPX-IS 630	
	In 400 A	In 630 A
Rated operational current (Ie)	400 A	630 A
Rated frequency	50/60 Hz	
Short time withstand current (1 s) I <sub>cw</sub>	15 kA	
Current admissible with fuse I <sub>cc</sub>	100 kA	
Max. rating of fuse (gG - aM)	400 A	630 A
Rated insulation voltage (U <sub>i</sub> ):	800 V~	
Rated operational voltage (AC) U <sub>e</sub> 50-60Hz	690 V~	
Rated impulse withstand voltage (U <sub>imp</sub> )	8 kV~	
Short circuit making capacity I <sub>cm</sub> peak	30 kA	
Rated operating current (AC 23A)		
- 400 V~	400 A	630 A
- 690 V~	400 A	630 A
Rated operating current (DC 23A)		
- 250 V= (2 poles in series):	400 A	630 A
Power dissipated per pole under I <sub>n</sub>	16 W	32 W
Operating temperature range	- 25°C to + 70°C	
Electrical endurance (AC23 - 400 V~)	1500 operations	
Mechanical endurance (AC23 - 400 V~)	15000 operations	
Protection degree	IP 20	

Note: To calculate the total power dissipation, add the values for the installed accessories

**5. TECHNICAL CHARACTERISTICS (continued)**

**5.2 Deratings**

- Altitude

Altitude	2000 m	3000 m	4000 m
Ue	690 V	600 V	480 V
In (Ta = 40°C)	In	0.96 x In	0.93 x In

- Temperature

	Compensated rated current in accordance with ambient temperature (A)			
	40°C	50°C	60°C	70°C
DPX-IS (Ie 400)	1	1	0.9	0.8
DPX-IS (Ie 630)	1	1	0.9	0.8

- Climatic conditions

According to IEC/EN 60947-1 Annex Q, Cat. F subject to temperature, humidity, vibration, shock and salt mist.

- Pollution degree

For DPX-IS isolating switch, degree 3, according to IEC/EN 60947-3

**6. MARKING**

0 266 70	
Ue (V)	690
AC22A	Ie
AC23A	Ie
Ie=400A	

50±60 Hz  
IEC/EN 60947-3  
Icw(1s) = 15 kA Icm = 30 kA  
Uimp = 8 kV Ui = 800 V

**legrand**

The marking includes: the laser label of the product on the front, the designation (type of product, code), compliance with standards, and the declared standard characteristics.

**7. EQUIPMENTS AND ACCESSORIES**

**7.1 Releases**

- shunt releases (inrush power = 300 VA) with voltage:

- 24 V~/= Cat.No 0 261 64
- 48 V~/= Cat.No 0 261 65
- 110 V~/= Cat.No 0 261 66
- 230 V~/= Cat.No 0 261 67
- 400 V~/= Cat.No 0 261 68

- undervoltage release (power consumption = 5 VA) with voltage:

- 24 V= Cat.No 0 261 70
- 24 V~ Cat.No 0 261 71
- 48 V= Cat.No 0 261 72
- 110 V~ Cat.No 0 261 76
- 230 V~ Cat.No 0 261 73
- 400 V~ Cat.No 0 261 74

- time-lag undervoltage releases (time-lag module + undervoltage release):

- time-lag module 230 V~ Cat.No 0 261 90
- time-lag module 400 V~ Cat.No 0 261 91
- undervoltage release Cat.No 0 261 75

**7.2 Auxiliary contacts**

Changeover switch 3 A - 240 V~

Cat.No 0 261 60

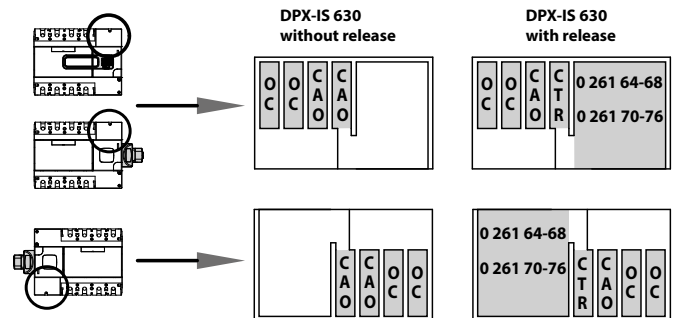
For signalling the state of the contacts or opening of the protection device:

- OC: standard auxiliary contact
- CTR: fault signal
- CAO: opening anticipated contact

Rated voltage (Vn)	24 to 250 V AC/DC	
Rated current (In)	24 V DC	5 A
	48 V DC	1.7 A
	110 V DC	0.5 A
	230 V DC	0.25 A
	24/250 V AC	6 A

Possible settings:

- DPX-IS 630 without release : 2 auxiliary contacts + 2 opening anticipated contacts
- DPX-IS 630 with release : 2 auxiliary contacts + 1 opening anticipated contact



**7.3 Mechanical accessories**

**Cage terminals**

- Set of 4 terminals for Cu/Al cable

300 mm<sup>2</sup> (rigid) or 240 mm<sup>2</sup> (flexible)

Cat.No 0 262 50

2x240 mm<sup>2</sup> max. (rigid) or 2x185 mm<sup>2</sup> (flexible)

Cat.No 0 262 51

**Spreaders / extended front terminals**

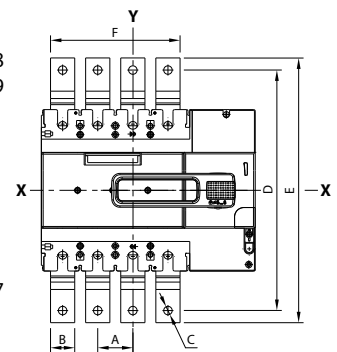
- Incoming or outgoing spreaders

3P Cat.No 0 262 48

4P Cat.No 0 262 49

- Extended front terminals

Set of 4 Cat.No 0 262 47



Cat.Nos	A	B	C	D	E	F
<b>0 262 47</b>	43.5	30	10.5	298	328	117 (3P) 160.5 (4P)
<b>0 262 48</b>	70	40	10.5	330	360	180
<b>0 262 49</b>	70	40	10.5	330	360	250

## 7. EQUIPMENTS AND ACCESSORIES (continued)

### ■ 7.3 Mechanical accessories (continued)

#### Rear terminals

- Set of threaded rear terminals for top and bottom connections

3P Cat.No 0 263 50

4P Cat.No 0 263 51

- Set of orientable flat rear terminals for top and bottom connections

3P Cat.No 0 263 52

4P Cat.No 0 263 53

#### Sealable terminal shields

Set of 2 terminal shields 3P Cat.No 0 262 45

#### Keylock

For locking mechanism in open position

Padlock with flat key Cat.No 0 262 97

#### Distribution kit (4 bars and 2 supports)

400 A (bars cross-section 32x5) 3P/4P Cat.No 0 265 02

630 A (bars cross-section 50x5) 3P/4P Cat.No 0 265 03

### ■ 7.4 Rotary handles

#### Direct for emergency use

Front and right-hand side handle Cat.No 0 266 89

Left-hand side handle Cat.No 0 266 90

#### Vari-depth handle IP 55

For front and side handle device Cat.No 0 266 86

For front and side handle device for emergency use  
(to be ordered with Cat.Nos 0 266 89 or 0 266 90) Cat.No 0 266 87

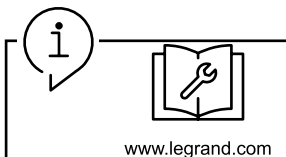
## 8. STANDARDS AND REGULATIONS

Compliant with IEC 60947-3 and EN 60947-3 standards

Compliant with UE, Morocco MA, ROHs and UKCA requirements

## 9. OTHER INFORMATIONS

**Instruction use :** all mounting informations available on e-catalogue



For further technical information, please contact Legrand technical support.

Unless otherwise indicated, data reported in this document refers exclusively to test conditions according to product standards.

For different conditions of use of the product, inside electrical equipment or in any different installation context, refer to the regulatory requirements of the equipment, local regulations and design specifications of the system.