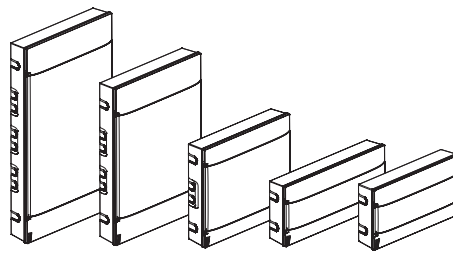
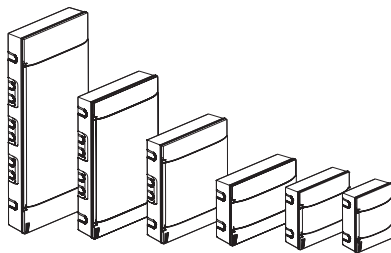


Practibox S surface-mounting cabinets with unprotected terminal blocks on a support

Cat. No(s): 1 341 24/28/34/38 - 1 342 04/08/14/18
 1 343 48/58 - 1 346 04/08/14/18 - 1 351 21/22/23/24/31/32/33/34
 1 352 01/02/03/04/11/12/13/14
 1 353 41/42/43/44/51/52/53/54 - 1 354 21/22/23/24/31/32/33/34
 1 356 01/02/03/04/11/12/13/14 - 1 371 25/26/27/28/29/35/36/37/38/39
 1 372 05/06/07/08/09/15/16/17/18/19
 1 373 46/47/48/49/56/57/58/59 - 1 374 25/26/27/28/29/35/36/37/38/39
 1 375 26/27/28/29/36/37/38/39 - 1 376 05/06/07/08/09/15/16/17/18/19



CONTENTS

Page

| | |
|-----------------------------------|----|
| 1. Description, use | 1 |
| 2. Range | 1 |
| 3. Dimensions | 5 |
| 4. General characteristics | 6 |
| 5. Compliance and approvals | 11 |
| 6. Installation add-ons | 11 |

1. DESCRIPTION, USE

Surface-mounting cabinets with 1 to 4 rows, 4 to 22 modules depending on the model, for residential and small commercial installations.

2 door finishes: white or transparent (smoked)

Conforming to standard IEC 60 670-24 Edition 2.0 2011-03

Used to create assemblies conforming to IEC 61 439-3 Edition 1.0 2012-02

These cabinets are only designed for wall-mounting installation

Space under rails: 10 mm

Distance between rails: 150 mm

2. RANGE

| Cat. No. | No. of rows | No. of modules per row | Door colour | Terminal block | Terminal block short-circuit current |
|----------|-------------|------------------------|-------------|-----------------|--------------------------------------|
| 1 341 24 | 1 | 4 | white | Earth | 6 kA |
| 1 342 04 | | | white | Earth + Neutral | |
| 1 346 04 | | | white | Earth + Neutral | |
| 1 341 34 | | | transparent | Earth | |
| 1 342 14 | | | transparent | Earth + Neutral | |
| 1 346 14 | | | transparent | Earth + Neutral | |
| 1 341 28 | 1 | 8 | white | Earth | 6 kA |
| 1 342 08 | | | white | Earth + Neutral | |
| 1 343 48 | | | white | X Neutral | |
| 1 346 08 | | | white | Earth + Neutral | |
| 1 341 38 | | | transparent | Earth | |
| 1 342 18 | | | transparent | Earth + Neutral | |
| 1 346 18 | | | transparent | Earth + Neutral | |
| 1 343 58 | | | transparent | X Neutral | |

**Practibox S surface-mounting cabinets
with unprotected terminal blocks on
a support**

Cat. No(s): 1 341 24/28/34/38 - 1 342 04/08/14/18
 1 343 48/58 - 1 346 04/08/14/18 - 1 351 21/22/23/24/31/32/33/34
 1 352 01/02/03/04/11/12/13/14
 1 353 41/42/43/44/51/52/53/54 - 1 354 21/22/23/24/31/32/33/34
 1 356 01/02/03/04/11/12/13/14 - 1 371 25/26/27/28/29/35/36/37/38/39
 1 372 05/06/07/08/09/15/16/17/18/19
 1 373 46/47/48/49/56/57/58/59 - 1 374 25/26/27/28/29/35/36/37/38/39
 1 375 26/27/28/29/36/37/38/39 - 1 376 05/06/07/08/09/15/16/17/18/19

2. RANGES (continued)

| Cat. No. | No. of rows | No. of modules per row | Door colour | Terminal block | Terminal block short-circuit current | | |
|----------|-------------|------------------------|-------------------|-------------------|--------------------------------------|-----------------|------|
| 1 351 21 | 1 | 12 | white | Earth | 6 kA | | |
| 1 352 01 | | | white | Earth + Neutral | | | |
| 1 353 41 | | | white | X Neutral | 6 kA | | |
| 1 354 21 | | | white | Earth + X Neutral | | | |
| 1 356 01 | | | white | Earth + Neutral | | | |
| 1 351 31 | | | transparent | Earth | | | |
| 1 352 11 | | | transparent | Earth + Neutral | 6 kA | | |
| 1 353 51 | | | transparent | X Neutral | | | |
| 1 354 31 | | | transparent | Earth + X Neutral | | | |
| 1 356 11 | | | transparent | Earth + Neutral | 2 | | |
| 1 351 22 | | | 12 | white | | Earth | 6 kA |
| 1 352 02 | | | | white | | Earth + Neutral | |
| 1 353 42 | white | X Neutral | | 6 kA | | | |
| 1 354 22 | white | Earth + X Neutral | | | | | |
| 1 356 02 | white | Earth + Neutral | | | | | |
| 1 351 32 | transparent | Earth | | | | | |
| 1 352 12 | transparent | Earth + Neutral | | 6 kA | | | |
| 1 353 52 | transparent | X Neutral | | | | | |
| 1 354 32 | transparent | Earth + X Neutral | | | | | |
| 1 356 12 | transparent | Earth + Neutral | | 3 | | | |
| 1 351 23 | 12 | white | | | | Earth | 6 kA |
| 1 352 03 | | white | | | Earth + Neutral | | |
| 1 353 43 | | white | X Neutral | | 6 kA | | |
| 1 354 23 | | white | Earth + X Neutral | | | | |
| 1 356 03 | | white | Earth + Neutral | | | | |
| 1 351 33 | | transparent | Earth | | | | |
| 1 352 13 | | transparent | Earth + Neutral | | 6 kA | | |
| 1 353 53 | | transparent | X Neutral | | | | |
| 1 354 33 | | transparent | Earth + X Neutral | | | | |
| 1 356 13 | | transparent | Earth + Neutral | | | | |

**Practibox S surface-mounting cabinets
with unprotected terminal blocks on
a support**

Cat. No(s): 1 341 24/28/34/38 - 1 342 04/08/14/18
 1 343 48/58 - 1 346 04/08/14/18 - 1 351 21/22/23/24/31/32/33/34
 1 352 01/02/03/04/11/12/13/14
 1 353 41/42/43/44/51/52/53/54 - 1 354 21/22/23/24/31/32/33/34
 1 356 01/02/03/04/11/12/13/14 - 1 371 25/26/27/28/29/35/36/37/38/39
 1 372 05/06/07/08/09/15/16/17/18/19
 1 373 46/47/48/49/56/57/58/59 - 1 374 25/26/27/28/29/35/36/37/38/39
 1 375 26/27/28/29/36/37/38/39 - 1 376 05/06/07/08/09/15/16/17/18/19

2. RANGES (continued)

| Cat. No. | No. of rows | No. of modules per row | Door colour | Terminal block | Terminal block short-circuit current | | |
|----------|-------------|------------------------|-------------|-------------------|--------------------------------------|-------|-----------------|
| 1 351 24 | 4 | 12 | white | Earth | 6 kA | | |
| 1 352 04 | | | white | Earth + Neutral | | | |
| 1 353 44 | | | white | X Neutral | | | |
| 1 354 24 | | | white | Earth + X Neutral | 6 kA | | |
| 1 356 04 | | | white | Earth + Neutral | | | |
| 1 351 34 | | | transparent | Earth | | | |
| 1 352 14 | | | transparent | Earth + Neutral | 6 kA | | |
| 1 353 54 | | | transparent | X Neutral | | | |
| 1 354 34 | | | transparent | Earth + X Neutral | | | |
| 1 356 14 | | | transparent | Earth + Neutral | 10 kA | | |
| 1 371 26 | | | 1 | 18 | | white | Earth |
| 1 372 06 | | | | | | white | Earth + Neutral |
| 1 373 46 | white | X Neutral | | | | | |
| 1 374 26 | white | Earth + X Neutral | | | | | |
| 1 375 26 | white | Earth | | | | | |
| 1 376 06 | white | Earth + Neutral | | | | | |
| 1 371 36 | transparent | Earth | | | | | |
| 1 372 16 | transparent | Earth + Neutral | | | | | |
| 1 373 56 | transparent | X Neutral | | | | | |
| 1 374 36 | transparent | Earth + X Neutral | | | | | |
| 1 375 36 | transparent | Earth | | | | | |
| 1 376 16 | transparent | Earth + Neutral | | | 10 kA | | |
| 1 371 27 | 2 | 18 | white | Earth | | | |
| 1 372 07 | | | white | Earth + Neutral | | | |
| 1 374 27 | | | white | Earth + X Neutral | | | |
| 1 375 27 | | | white | Earth | | | |
| 1 376 07 | | | white | Earth + Neutral | | | |
| 1 373 47 | | | white | X Neutral | | | |
| 1 371 37 | | | transparent | Earth | | | |
| 1 372 17 | | | transparent | Earth + Neutral | | | |
| 1 374 37 | | | transparent | Earth + X Neutral | | | |
| 1 375 37 | | | transparent | Earth | | | |
| 1 376 17 | | | transparent | Earth + Neutral | | | |
| 1 373 57 | | | transparent | X Neutral | | | |

**Practibox S surface-mounting cabinets
with unprotected terminal blocks on
a support**

Cat. No(s): 1 341 24/28/34/38 - 1 342 04/08/14/18
1 343 48/58 - 1 346 04/08/14/18 - 1 351 21/22/23/24/31/32/33/34
1 352 01/02/03/04/11/12/13/14
1 353 41/42/43/44/51/52/53/54 - 1 354 21/22/23/24/31/32/33/34
1 356 01/02/03/04/11/12/13/14 - 1 371 25/26/27/28/29/35/36/37/38/39
1 372 05/06/07/08/09/15/16/17/18/19
1 373 46/47/48/49/56/57/58/59 - 1 374 25/26/27/28/29/35/36/37/38/39
1 375 26/27/28/29/36/37/38/39 - 1 376 05/06/07/08/09/15/16/17/18/19

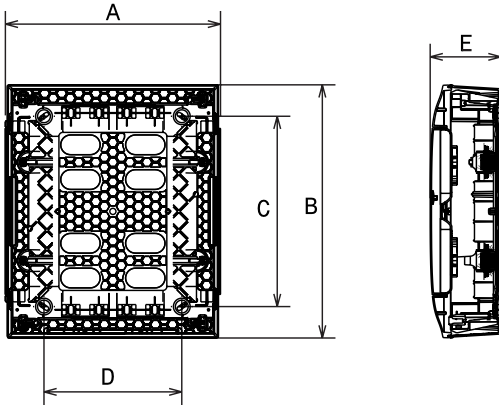
2. RANGES (continued)

| Cat. Nos. | No. of rows | No. of modules per row | Door colour | Terminal block | Terminal block short-circuit current |
|-----------|-------------|------------------------|-------------|-------------------|--------------------------------------|
| 1 371 28 | 3 | 18 | white | Earth | 10 kA |
| 1 372 08 | | | white | Earth + Neutral | |
| 1 373 48 | | | white | X Neutral | |
| 1 374 28 | | | white | Earth + X Neutral | |
| 1 375 28 | | | white | Earth | |
| 1 376 08 | | | white | Earth + Neutral | |
| 1 371 38 | | | transparent | Earth | |
| 1 372 18 | | | transparent | Earth + Neutral | |
| 1 373 58 | | | transparent | X Neutral | |
| 1 374 38 | | | transparent | Earth + X Neutral | |
| 1 375 38 | | | transparent | Earth | |
| 1 376 18 | | | transparent | Earth + Neutral | |
| 1 371 29 | | | 4 | 18 | |
| 1 372 09 | white | Earth + Neutral | | | |
| 1 373 49 | white | X Neutral | | | |
| 1 374 29 | white | Earth + X Neutral | | | |
| 1 375 29 | white | Earth | | | |
| 1 376 09 | white | Earth + Neutral | | | |
| 1 371 39 | transparent | Earth | | | |
| 1 372 19 | transparent | Earth + Neutral | | | |
| 1 373 59 | transparent | X Neutral | | | |
| 1 374 39 | transparent | Earth + X Neutral | | | |
| 1 375 39 | transparent | Earth | | | |
| 1 376 19 | transparent | Earth + Neutral | | | |
| 1 371 25 | 1 | 22 | | | white |
| 1 372 05 | | | white | Earth + Neutral | |
| 1 374 25 | | | white | Earth + X Neutral | |
| 1 376 05 | | | white | Earth + Neutral | |
| 1 371 35 | | | transparent | Earth | |
| 1 372 15 | | | transparent | Earth + Neutral | |
| 1 374 35 | | | transparent | Earth + X Neutral | |
| 1 376 15 | | | transparent | Earth + Neutral | |

Practibox S surface-mounting cabinets with unprotected terminal blocks on a support

Cat. No(s): 1 341 24/28/34/38 - 1 342 04/08/14/18
 1 343 48/58 - 1 346 04/08/14/18 - 1 351 21/22/23/24/31/32/33/34
 1 352 01/02/03/04/11/12/13/14
 1 353 41/42/43/44/51/52/53/54 - 1 354 21/22/23/24/31/32/33/34
 1 356 01/02/03/04/11/12/13/14 - 1 371 25/26/27/28/29/35/36/37/38/39
 1 372 05/06/07/08/09/15/16/17/18/19
 1 373 46/47/48/49/56/57/58/59 - 1 374 25/26/27/28/29/35/36/37/38/39
 1 375 26/27/28/29/36/37/38/39 - 1 376 05/06/07/08/09/15/16/17/18/19

3. DIMENSIONS



| Cat. Nos. | No. of rows | No. of modules per row | A (mm) | B (mm) | C (mm) | D (mm) | E (mm) |
|--|-------------|------------------------|--------|--------|--------|--------|--------|
| 1 341 24/34 - 1 342 04/14 - 1 346 04/14 | 1 | 4 | 184 | 216 | 120 | 72 | 100 |
| 1 341 28/38 - 1 342 08/18 - 1 343 48/58 - 1 346 08/18 | 1 | 8 | 256 | 226 | 120 | 150 | 100 |
| 1 351 21/31 - 1 352 01/11 - 1 353 41/51 - 1 354 21/31 1 356 01/11 | 1 | 12 | 328 | 236 | 140 | 210 | 107 |
| 1 351 22/32 - 1 352 02/12 1 353 42/52 - 1 354 22/32 - 1 356 02/12 | 2 | 12 | 328 | 386 | 290 | 210 | 108 |
| 1 351 23/33 - 1 352 03/13 1 353 43/53 - 1 354 23/33 - 1 356 03/13 | 3 | 12 | 328 | 536 | 440 | 210 | 108 |
| 1 351 24/34 - 1 352 04/14 1 353 44/54 - 1 354 24/34 - 1 356 04/14 | 4 | 12 | 328 | 766 | 600 | 210 | 108 |
| 1 371 26/36 - 1 372 06/16 1 373 46/56 - 1 374 26/36 - 1 375 26/36 - 1 376 06/16 | 1 | 18 | 436 | 236 | 140 | 320 | 107 |
| 1 371 27/37 - 1 372 07/17 - 1 373 47/57 1 374 27/37 - 1 375 27/37 - 1 376 07/17 | 2 | 18 | 436 | 386 | 290 | 320 | 108 |
| 1 371 28/38 - 1 372 08/18 1 373 48/58 - 1 374 28/38 - 1 375 28/38 - 1 376 08/18 | 3 | 18 | 436 | 616 | 470 | 320 | 108 |
| 1 371 29/39 - 1 372 09/19 1 373 49/59 - 1 374 29/39 - 1 375 29/39 - 1 376 09/19 | 4 | 18 | 436 | 766 | 620 | 320 | 108 |
| 1 371 25/35 - 1 372 05/15 1 374 25/35 - 1 376 05/15 | 1 | 22 | 508 | 236 | 140 | 390 | 107 |

Practibox S surface-mounting cabinets with unprotected terminal blocks on a support

Cat. No(s): 1 341 24/28/34/38 - 1 342 04/08/14/18
1 343 48/58 - 1 346 04/08/14/18 - 1 351 21/22/23/24/31/32/33/34
1 352 01/02/03/04/11/12/13/14
1 353 41/42/43/44/51/52/53/54 - 1 354 21/22/23/24/31/32/33/34
1 356 01/02/03/04/11/12/13/14 - 1 371 25/26/27/28/29/35/36/37/38/39
1 372 05/06/07/08/09/15/16/17/18/19
1 373 46/47/48/49/56/57/58/59 - 1 374 25/26/27/28/29/35/36/37/38/39
1 375 26/27/28/29/36/37/38/39 - 1 376 05/06/07/08/09/15/16/17/18/19

4. GENERAL CHARACTERISTICS

■ 4.1 Technical characteristics

- . Cover colour: white RAL 9003
- . Door colour: white RAL 9003 or transparent (smoked)
- . Protection index: IP40 - IK07 with door conforming to IEC 60 670-24 Edition 2.0 2011-03
- . Self-extinguishing in accordance with IEC 60695-2-11 Edition 2.0 2014-02: 650°C
- . Class II double insulation
- . Rated operating voltage: 400 VAC - 50/60 Hz
- . Rated insulation voltage: 400 VAC - 50/60 Hz
- . Rated impulse withstand voltage: Uimp = 6 kV
- . Short-circuit current: Icc max 10 kA
- . Storage and installation temperature: -25°C to +70°C
- . Usage temperature: -10°C to +40°C
- . Permissible loads: 40 N per row
- . Operating torque of cover screws: 1.2 Nm
- . Enclosures classified GP and PD
- . Maximum permissible current and dissipated power:

| Cat. Nos. | No. of rows | Modules per row | Max. permissible current (A) | Dissipated power (Pde) |
|---|-------------|-----------------|------------------------------|------------------------|
| 1 341 24/34 - 1 342 04/14 - 1 346 04/14 | 1 | 4 | 40 A | 12 W |
| 1 341 28/38 - 1 342 08/18 - 1 343 48/58 - 1 346 08/18 | 1 | 8 | 63 A | 14 W |
| 1 351 21/31 - 1 352 01/11 - 1 353 41/51 1 354 21/31 - 1 356 01/11 | 1 | 12 | 63 A | 19 W |
| 1 351 22/32 - 1 352 02/12/19 - 1 353 42/52 1 354 22/32 - 1 356 02/12 | 2 | 12 | 90 A | 28 W |
| 1 351 23/33 - 1 352 03/13 - 1 353 43/53 1 354 23/33 - 1 356 03/13 | 3 | 12 | 90 A | 38 W |
| 1 351 24/34 - 1 352 04/14 - 1 353 44/54 1 354 24/34 - 1 356 04/14 | 4 | 12 | 90 A | 50 W |
| 1 371 26/36 - 1 372 06/16 - 1 373 46/56 1 374 26/36 - 1 375 26/36 - 1 376 06/16 | 1 | 18 | 63 A | 25 W |
| 1 371 27/37 - 1 372 07/17 - 1 373 47/57 1 374 27/37 - 1 375 27/37 - 1 376 07/17 | 2 | 18 | 90 A | 35 W |
| 1 371 28/38 - 1 372 08/18 - 1 373 48/58 1 374 28/38 - 1 375 28/38 - 1 376 08/18 | 3 | 18 | 90 A | 49 W |
| 1 371 29/39 - 1 372 09/19 - 1 373 49/59 1 374 29/39 - 1 375 029/39 - 1 376 09/19 | 4 | 18 | 90 A | 58 W |
| 1 371 35 - 1 372 05/15 - 1 374 25/35 1 376 05/15 | 1 | 22 | 90 A | 30 W |

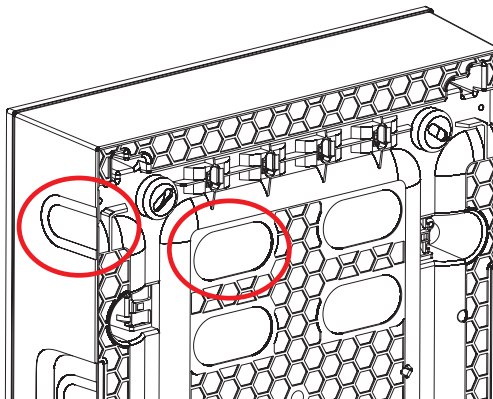
**Practibox S surface-mounting cabinets
with unprotected terminal blocks on
a support**

Cat. No(s): 1 341 24/28/34/38 - 1 342 04/08/14/18
 1 343 48/58 - 1 346 04/08/14/18 - 1 351 21/22/23/24/31/32/33/34
 1 352 01/02/03/04/11/12/13/14
 1 353 41/42/43/44/51/52/53/54 - 1 354 21/22/23/24/31/32/33/34
 1 356 01/02/03/04/11/12/13/14 - 1 371 25/26/27/28/29/35/36/37/38/39
 1 372 05/06/07/08/09/15/16/17/18/19
 1 373 46/47/48/49/56/57/58/59 - 1 374 25/26/27/28/29/35/36/37/38/39
 1 375 26/27/28/29/36/37/38/39 - 1 376 05/06/07/08/09/15/16/17/18/19

4. GENERAL CHARACTERISTICS *(continued)*

■ **4.2 Tube entries**

| Cat. Nos. | No. of rows | No. of modules per row | Ø30 mm tube at the back of the box | Ø30 mm tube on the right of the box | Ø30 mm tube on the left of the box | 46x30 mm oblong hole at the back of the box |
|---|-------------|------------------------|------------------------------------|-------------------------------------|------------------------------------|---|
| 1 341 24/34 - 1 342 04/14 - 1 346 04/14 | 1 | 4 | 2 | 2 | 2 | - |
| 1 341 28/38 - 1 342 08/18 - 1 343 48/58 - 1 346 08/18 | 1 | 8 | - | 2 | 2 | 2 |
| 1 351 21/31 - 1 352 01/11 - 1 353 41/51 1 354 21/31 - 1 356 01/11 | 1 | 12 | - | 2 | 2 | 4 |
| 1 351 22/32 - 1 352 02/12/19 - 1 353 42/52 1 354 22/32 - 1 356 02/12 | 2 | 12 | - | 4 | 4 | 8 |
| 1 351 23/33 - 1 352 03/13 - 1 353 43/53 1 354 23/33 - 1 356 03/13 | 3 | 12 | - | 6 | 6 | 12 |
| 1 351 24/34 - 1 352 04/14 - 1 353 44/54 1 354 24/34 - 1 356 04/14 | 4 | 12 | - | 8 | 8 | 16 |
| 1 371 26/36 - 1 372 06/16 - 1 373 46/56 1 374 26/36 - 1 375 26/36 - 1 376 06/16 | 1 | 18 | - | 2 | 2 | 6 |
| 1 371 27/37 - 1 372 07/17 - 1 373 47/57 1 374 27/37 - 1 375 27/37 - 1 376 07/17 | 2 | 18 | - | 4 | 4 | 12 |
| 1 371 28/38 - 1 372 08/18 - 1 373 48/58 1 374 28/38 - 1 375 28/38 - 1 376 08/18 | 3 | 18 | - | 6 | 6 | 18 |
| 1 371 29/39 - 1 372 09/19 - 1 373 49/59 1 374 29/39 - 1 375 029/39 - 1 376 09/19 | 4 | 18 | - | 8 | 8 | 24 |
| 1 371 25/35 - 1 372 05/15 - 1 374 25/35 1 376 05/15 | 1 | 22 | - | 2 | 2 | 8 |

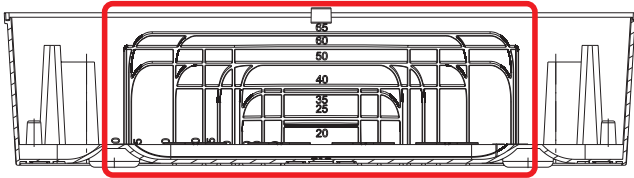


Practibox S surface-mounting cabinets with unprotected terminal blocks on a support

Cat. No(s): 1 341 24/28/34/38 - 1 342 04/08/14/18
 1 343 48/58 - 1 346 04/08/14/18 - 1 351 21/22/23/24/31/32/33/34
 1 352 01/02/03/04/11/12/13/14
 1 353 41/42/43/44/51/52/53/54 - 1 354 21/22/23/24/31/32/33/34
 1 356 01/02/03/04/11/12/13/14 - 1 371 25/26/27/28/29/35/36/37/38/39
 1 372 05/06/07/08/09/15/16/17/18/19
 1 373 46/47/48/49/56/57/58/59 - 1 374 25/26/27/28/29/35/36/37/38/39
 1 375 26/27/28/29/36/37/38/39 - 1 376 05/06/07/08/09/15/16/17/18/19

4. GENERAL CHARACTERISTICS (continued)

4.3 Duct entries



| Cat. Nos. | No. of rows | No. of modules per row | 105x35 mm or 105x50 mm duct on right of cabinet | 105x35 mm or 105x50 mm duct on left of cabinet | 25x20 mm to 90x60 mm duct at top of cabinet | 40x20 mm to 200x65 mm duct at top of cabinet |
|--|-------------|------------------------|---|--|---|--|
| 1 341 24/34 - 1 342 04/14 - 1 346 04/14 | 1 | 4 | - | - | 1 | - |
| 1 341 28/38 - 1 342 08/18 - 1 343 48/58 - 1 346 08/18 | 1 | 8 | - | - | 1 | - |
| 1 351 21/31 - 1 352 01/11/19 1 353 41/51 - 1 354 21/31 - 1 356 01/11 | 1 | 12 | - | - | - | 1 |
| 1 351 22/32 - 1 352 02/12 1 353 42/52 - 1 354 22/32 - 1 356 02/12 | 2 | 12 | 1 | 1 | - | 1 |
| 1 351 23/33 - 1 352 03/13 1 353 43/53 - 1 354 23/33 - 1 356 03/13 | 3 | 12 | 2 | 2 | - | 1 |
| 1 351 24/34 - 1 352 04/14 1 353 44/54 - 1 354 24/34 - 1 356 04/14 | 4 | 12 | 3 | 3 | - | 1 |
| 1 371 26/36 - 1 372 06/16 1 373 46/56 - 1 374 26/36 1 375 26/36 - 1 376 06/16 | 1 | 18 | - | - | - | 1 |
| 1 371 27/37 - 1 372 07/17 1 373 47/57 - 1 374 27/37 1 375 27/37 - 1 376 07/17 | 2 | 18 | 1 | 1 | - | 1 |
| 1 371 28/38 - 1 372 08/18 1 373 48/58 - 1 374 28/38 1 375 28/38 - 1 376 08/18 | 3 | 18 | 2 | 2 | - | 1 |
| 1 371 29/39 - 1 372 09/19 1 373 49/59 - 1 374 29/39 1 375 029/39 - 1 376 09/19 | 4 | 18 | 3 | 3 | - | 1 |
| 1 371 25/35 - 1 372 05/15 1 374 25/35 - 1 376 05/15 | 1 | 22 | - | - | - | 1 |

4.4 Materials

- . Cover, base, white door, blanking plate: polystyrene (PS)
- . Transparent door: Methacrylate Acrylonitrile Butadiene Styrene (MABS)
- . Rails: galvanised steel
- . Screws: steel
- . Terminal block support: polycarbonate (PC)
- . Injection-moulded caps: Styrene Butadiene Styrene (SBS)
- . Terminal block: brass

Practibox S surface-mounting cabinets with unprotected terminal blocks on a support

Cat. No(s): 1 341 24/28/34/38 - 1 342 04/08/14/18
 1 343 48/58 - 1 346 04/08/14/18 - 1 351 21/22/23/24/31/32/33/34
 1 352 01/02/03/04/11/12/13/14
 1 353 41/42/43/44/51/52/53/54 - 1 354 21/22/23/24/31/32/33/34
 1 356 01/02/03/04/11/12/13/14 - 1 371 25/26/27/28/29/35/36/37/38/39
 1 372 05/06/07/08/09/15/16/17/18/19
 1 373 46/47/48/49/56/57/58/59 - 1 374 25/26/27/28/29/35/36/37/38/39
 1 375 26/27/28/29/36/37/38/39 - 1 376 05/06/07/08/09/15/16/17/18/19

4. GENERAL CHARACTERISTICS (continued)

■ 4.5 Terminal block capacity

Cabinets with 1x4, 1x8, 1x12, 1x18 modules

| Cat. Nos. | No. of rows | Modules per row | Earth terminal block, screw terminals | | | Neutral terminal block, screw terminals | | |
|--|-------------|-----------------|---------------------------------------|------------------------|------------------------|---|------------------------|------------------------|
| | | | 6-25 mm ² | 1.5-16 mm ² | 1.5-10 mm ² | 6-25 mm ² | 1.5-16 mm ² | 1.5-10 mm ² |
| 1 341 24/34 | 1 | 4 | - | 2 | 2 | - | - | - |
| 1 342 04/14 - 1 346 04/14 | | | - | 2 | 2 | - | 2 | 2 |
| 1 341 28/38 | 1 | 8 | - | 3 | 3 | - | - | - |
| 1 343 48/58 | | | - | - | - | - | 3 | 3 |
| 1 342 08/18 - 1 346 08/18 | | | - | 3 | 3 | - | 3 | 3 |
| 1 351 21/31 | 1 | 12 | - | 5 | 5 | - | - | - |
| 1 353 41/51 | | | - | - | - | - | 5 | 5 |
| 1 352 01/11 1 354 21/31 - 1 356 01/11 | | | - | 5 | 5 | - | 5 | 5 |
| 1 371 26/36 - 1 375 26/36 | | | 1 | 12 | - | - | - | - |
| 1 373 46/56 | 1 | 18 | - | - | - | 1 | 12 | - |
| 1 372 06/16 1 374 26/36 - 1 376 06/16 | | | 1 | 12 | - | 1 | 12 | - |
| 1 375 26/36 | | | 1 | 16 | - | - | - | - |

Cabinets with 12 multi-row modules

| Cat. Nos. | No. of rows | Modules per row | Earth terminal block | | | Neutral terminal block | | |
|----------------------------|-------------|-----------------|----------------------|------------------------|------------------------|------------------------|------------------------|------------------------|
| | | | Screw terminals | | | Screw terminals | | |
| | | | 6-25 mm ² | 1.5-16 mm ² | 1.5-10 mm ² | 6-25 mm ² | 1.5-16 mm ² | 1.5-10 mm ² |
| 1 351 22/32 | 2 | 12 | - | 8 | 8 | - | - | - |
| 1 353 42/52 | | | - | - | - | - | 2x5 | 2x5 |
| 1 352 02/12 3 356 02/12 | | | - | 8 | 8 | - | 8 | 8 |
| 1 354 22/32 | | | - | 9 | 9 | - | 2x5 | 2x5 |
| 1 351 23/33 | 3 | 12 | - | 12 | 12 | - | - | - |
| 1 353 43/53 | | | - | - | - | - | 3x5 | 3x5 |
| 1 352 03/13 1 356 03/13 | | | - | 12 | 12 | - | 12 | 12 |
| 1 354 23/33 | 4 | 12 | - | 14 | 14 | - | 2x5 | 2x5 |
| 1 351 24/34 | | | - | 16 | 16 | - | - | - |
| 1 353 44/54 | | | - | - | - | - | 4x5 | 4x5 |
| 1 352 04/14 1 356 04/14 | | | - | 16 | 16 | - | 16 | 16 |
| 1 354 24/34 | | | - | 16 | 16 | - | 2x5 | 2x5 |

Practibox S surface-mounting cabinets with unprotected terminal blocks on a support

Cat. No(s): 1 341 24/28/34/38 - 1 342 04/08/14/18
1 343 48/58 - 1 346 04/08/14/18 - 1 351 21/22/23/24/31/32/33/34
1 352 01/02/03/04/11/12/13/14
1 353 41/42/43/44/51/52/53/54 - 1 354 21/22/23/24/31/32/33/34
1 356 01/02/03/04/11/12/13/14 - 1 371 25/26/27/28/29/35/36/37/38/39
1 372 05/06/07/08/09/15/16/17/18/19
1 373 46/47/48/49/56/57/58/59 - 1 374 25/26/27/28/29/35/36/37/38/39
1 375 26/27/28/29/36/37/38/39 - 1 376 05/06/07/08/09/15/16/17/18/19

4. GENERAL CHARACTERISTICS (continued)

Cabinets with 18 multi-row modules

| Cat. Nos. | No. of rows | Modules per row | Earth terminal block | | | Neutral terminal block | | |
|----------------------------|-------------|-----------------|----------------------|------------------------|------------------------|------------------------|------------------------|------------------------|
| | | | Screw terminals | | | Screw terminals | | |
| | | | 6-25 mm ² | 1.5-16 mm ² | 1.5-10 mm ² | 6-25 mm ² | 1.5-16 mm ² | 1.5-10 mm ² |
| 1 373 47/57 | 2 | 18 | - | - | - | 2x1 | 2x12 | - |
| 1 371 27/37 | | | 1 | 21 | - | - | - | - |
| 1 375 27/37 | | | 1 | 26 | - | - | - | - |
| 1 372 07/17 1 376 07/17 | | | 1 | 21 | - | 1 | 21 | - |
| 1 374 27/37 | | | 1 | 26 | - | 2x1 | 2x12 | - |
| 1 371 28/38 1 375 28/38 | 3 | 18 | 2 | 33 | - | - | - | - |
| 1 372 08/18 1 376 08/18 | | | 2 | 33 | - | 2 | 33 | - |
| 1 374 28/38 | | | 2 | 33 | - | 2x1 | 2x12 | - |
| 1 373 48/58 | | | - | - | - | 3x1 | 3x12 | - |
| 1 371 29/39 1 375 29/39 | 4 | 18 | 2 | 33 | - | - | - | - |
| 1 373 49/59 | | | - | - | - | 4x1 | 4x12 | - |
| 1 372 09/19 1 376 09/19 | | | 2 | 33 | - | 2 | 33 | - |
| 1 374 29/39 | | | 2 | 33 | -- | 2x1 | 2x12 | - |

22-module cabinets

| Cat. Nos. | No. of rows | Modules per row | Earth terminal block, screw terminals | | | Neutral terminal block, screw terminals | | |
|--|-------------|-----------------|---------------------------------------|------------------------|------------------------|---|------------------------|------------------------|
| | | | 6-25 mm ² | 1.5-16 mm ² | 1.5-10 mm ² | 6-25 mm ² | 1.5-16 mm ² | 1.5-10 mm ² |
| 1 371 25/35 | 1 | 22 | 1 | 16 | - | - | - | - |
| 1 372 05/15 1 374 25/35 - 1 376 05/15 | | | 1 | 16 | - | 1 | 16 | - |

Additional terminal blocks (see section 6.4, page 12)

4.6 Accessories supplied with the cabinet

| Cat. Nos. | Number of rows | Modules per row | 5-module blanking plate | Module identification labels |
|--|----------------|-----------------|-------------------------|------------------------------|
| 1 341 24/34 - 1 342 04/14 - 1 346 04/14 | 1 | 4 | - | - |
| 1 341 28/38 - 1 342 08/18 - 1 343 48/58 - 1 346 08/18 | 1 | 8 | - | - |
| 1 353 41/51 - 1 354 21/31 | 1 | 12 | - | - |
| 1 351 21/31 - 1 352 01/11/19 1 356 01/11 | | | - | 1 |
| 1 353 42/52 | 2 | 12 | - | - |
| 1 354 22/32 | | | 1 | - |
| 1 351 22/32 - 1 352 02/12 1 356 02/12 | | | 1 | 2 |
| 1 353 43/53 | 3 | 12 | - | - |
| 1 354 23/33 | | | 1 | - |
| 1 351 23/33 - 1 352 03/13 1 356 03/13 | | | 1 | 3 |

Practibox S surface-mounting cabinets with unprotected terminal blocks on a support

Cat. No(s): 1 341 24/28/34/38 - 1 342 04/08/14/18
 1 343 48/58 - 1 346 04/08/14/18 - 1 351 21/22/23/24/31/32/33/34
 1 352 01/02/03/04/11/12/13/14
 1 353 41/42/43/44/51/52/53/54 - 1 354 21/22/23/24/31/32/33/34
 1 356 01/02/03/04/11/12/13/14 - 1 371 25/26/27/28/29/35/36/37/38/39
 1 372 05/06/07/08/09/15/16/17/18/19
 1 373 46/47/48/49/56/57/58/59 - 1 374 25/26/27/28/29/35/36/37/38/39
 1 375 26/27/28/29/36/37/38/39 - 1 376 05/06/07/08/09/15/16/17/18/19

4. GENERAL CHARACTERISTICS (continued)

| Cat. Nos. | Number of rows | Modules per row | 5-module blanking plate | Module identification labels |
|--|----------------|-----------------|-------------------------|------------------------------|
| 1 353 44/54 | 4 | 12 | - | - |
| 1 354 24/34 | | | 1 | - |
| 1 351 24/34 - 1 352 04/14 1 356 04/14 | | | 1 | 4 |
| 1 373 46/56 | 1 | 18 | - | - |
| 1 374 26/36 | | | 1 | - |
| 1 371 26/36 - 1 372 06/16 1 375 26/36 - 1 376 06/16 | | | 1 | 1 |
| 1 373 47/57 | 2 | 18 | - | - |
| 1 374 27/37 | | | 1 | - |
| 1 371 27/37 - 1 372 07/17 1 375 27/37 - 1 376 07/17 | | | 1 | 2 |
| 1 373 48/58 | 3 | 18 | - | - |
| 1 374 28/38 | | | 2 | - |
| 1 371 28/38 - 1 372 08/18 1 375 28/38 - 1 376 08/18 | | | 2 | 3 |
| 1 373 49/59 | 4 | 18 | - | - |
| 1 374 29/39 | | | 2 | - |
| 1 371 29/39 - 1 372 09/19 1 375 29/39 - 1 376 09/19 | | | 2 | 4 |
| 1 374 25/35 | 1 | 22 | 1 | - |
| 1 371 25/35 - 1 372 05/15 1 376 05/15 | | | 1 | 1 |

5. COMPLIANCE AND APPROVALS

IEC 60 670-24 Edition 2.0 2011-03

Used to create assemblies conforming to IEC 61 439-3 Edition 1.0 2012-02

IEC 60 695-2-11: 2014-09

RoHS

WEEE

REACH

PEP sheet

6. INSTALLATION ADD-ONS

■ 6.1 Key lock No. 850 Cat. No. 1 341 00



Practibox S surface-mounting cabinets with unprotected terminal blocks on a support

Cat. No(s): 1 341 24/28/34/38 - 1 342 04/08/14/18
 1 343 48/58 - 1 346 04/08/14/18 - 1 351 21/22/23/24/31/32/33/34
 1 352 01/02/03/04/11/12/13/14
 1 353 41/42/43/44/51/52/53/54 - 1 354 21/22/23/24/31/32/33/34
 1 356 01/02/03/04/11/12/13/14 - 1 371 25/26/27/28/29/35/36/37/38/39
 1 372 05/06/07/08/09/15/16/17/18/19
 1 373 46/47/48/49/56/57/58/59 - 1 374 25/26/27/28/29/35/36/37/38/39
 1 375 26/27/28/29/36/37/38/39 - 1 376 05/06/07/08/09/15/16/17/18/19

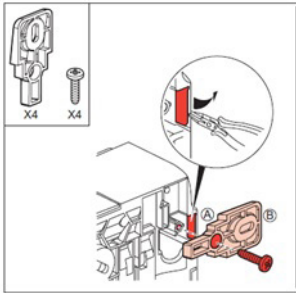
6. INSTALLATION ADD-ONS (continued)

6.2 External fixing lugs Cat. No. 4 018 56

External fixing lugs can be used on cabinets with 12-18 and 22 modules.

For external fixing if the fixing holes at the back of the cabinet have been rendered inaccessible by prewiring.

Tightening torque of external fixing lug screws: 1.2 Nm



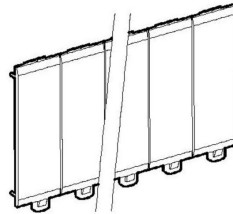
6.3 White RAL 9003 blanking plates

Can be separated for each module or half-module

5 modules: Cat. No. 0 016 60

13 modules: Cat. No. 0 016 62

18 modules: Cat. No. 0 016 64



6.4 Additional terminal blocks

Additional terminal blocks can be mounted at the top and bottom of cabinets in the designated areas.

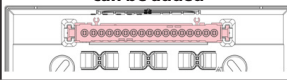
| Cat. Nos. | Size | Terminal block capacity | Supplied equipped with terminal block on support | | | Accessories | | | |
|---|-------|-------------------------|--|-----------------|--------------|------------------------------------|----------------------|--|----------------------|
| | | | | | | Terminal blocks which can be added | | Unprotected terminal blocks which can be added on existing support | |
| | | | No. | Type | No. of holes | Cat. Nos. | Max. no. to be added | Cat. Nos. | Max. no. to be added |
| 1 341 24/34 | 4M | 2 | - | - | - | 1 348 00/10 | 1 | - | - |
| 1 342 04/14 1 346 04/14 | | 2 | 1 | Earth | 4 | - | - | - | - |
| 1 341 28/38 | 8M | 2 | - | - | - | 1 348 01/11 | 1 | - | - |
| 1 343 48/58 | | 2 | 1 | Earth | 6 | - | - | 1 348 06 | 1 |
| 1 342 08/18 1 346 08/18 | | 2 | 1 | Neutral | 6 | 1 348 01/11 | 1 | 1 348 06 | 1 |
| 1 351 21/31 | 1x12M | 2 | - | - | - | - | - | - | - |
| 1 353 41/51 | | 2 | 1 | Earth + Neutral | 6 + 6 | 1 348 03/13 | 1 | - | - |
| 1 352 01/11 1 354 21/31 1 356 01/11 | | 2 | - | - | - | - | - | - | - |
| | | 2 | 1 | Earth | 10 | 1 348 03/13 | 1 | 1 348 06/07 | 3/1 |
| | | 2 | - | - | - | - | - | 1 348 06/07 | 3/1 |
| | | 2 | 1 | Neutral | 10 | 1 348 03/13 | 1 | - | - |
| | | 2 | - | - | - | - | - | 1 348 06 | 1 |
| | | 2 | 1 | Earth + Neutral | 10 + 10 | 1 348 03/13 | 1 | - | - |

Practibox S surface-mounting cabinets with unprotected terminal blocks on a support

Cat. No(s): 1 341 24/28/34/38 - 1 342 04/08/14/18
1 343 48/58 - 1 346 04/08/14/18 - 1 351 21/22/23/24/31/32/33/34
1 352 01/02/03/04/11/12/13/14
1 353 41/42/43/44/51/52/53/54 - 1 354 21/22/23/24/31/32/33/34
1 356 01/02/03/04/11/12/13/14 - 1 371 25/26/27/28/29/35/36/37/38/39
1 372 05/06/07/08/09/15/16/17/18/19
1 373 46/47/48/49/56/57/58/59 - 1 374 25/26/27/28/29/35/36/37/38/39
1 375 26/27/28/29/36/37/38/39 - 1 376 05/06/07/08/09/15/16/17/18/19

6. INSTALLATION ADD-ONS (continued)

6.4 Additional terminal blocks (continued)

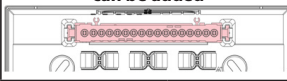
| Cat. Nos. | Size | Terminal block capacity | Supplied equipped with terminal block on support | | | Accessories | | | |
|----------------------------|-------|-------------------------|--|-----------------|--------------|--|----------------------|--|----------------------|
| | | | | | | Terminal blocks which can be added | | Unprotected terminal blocks which can be added on existing support | |
| | | | No. | Type | No. of holes |  | Max. no. to be added | Cat. Nos. | Max. no. to be added |
| 1 351 22/32 | 2x12M | 2 | - | - | - | 1 348 03/13 | 1 | - | - |
| 1 353 42/52 | | 2 | 1 | Earth | 16 | - | - | 1 348 06 | 2 |
| 1 352 02/12 1 356 02/12 | | 2 | - | Neutral | 2x10 | 1 348 03/13 | 1 | - | - |
| 1 354 22/32 | | 2 | 1 | Earth + Neutral | 2x16 | - | - | 1 348 06 | 1 |
| 1 351 23/33 | 3x12M | 2 | 1 | Earth | 24 | 1 348 03/13 | 1 | - | - |
| 1 353 43/53 | | 2 | - | Neutral | 3x10 | - | - | 1 348 06 | 1 |
| 1 352 03/13 1 356 03/13 | | 2 | 1 | Earth | 24 | 1 348 03/13 | 1 | - | - |
| 1 354 23/33 | | 2 | 1 | Earth + Neutral | 2x16 | - | - | 1 348 06/07 | 3/1 |
| 1 351 24/34 | 4x12M | 4 | 1 | Earth | 32 | 1 348 03/13 | 1 | - | - |
| 1 353 44/54 | | 4 | 1 | Earth | 32 | 1 348 03 | 1 | - | - |
| 1 352 04/14 1 356 04/14 | | 4 | 1 | Earth | 32 | 1 348 03 | 1 | - | - |
| 1 354 24/34 | | 4 | 1 | Earth | 32 | 1 348 03 | 1 | - | - |
| 1 371 26/36 | 1x18M | 2 | 1 | Earth | 13 | 1 348 05 | 1 | - | - |
| 1 375 26/36 | | 2 | 1 | Earth | 17 | 1 348 05 | 1 | - | - |
| 1 373 46/56 | | 2 | 1 | Earth | 17 | 1 348 05 | 1 | - | - |
| 1 372 06/16 1 374 26/36 | | 2 | 1 | Earth | 17 | 1 348 05 | 1 | - | - |
| 1 373 47/57 | 2x18M | 2 | 1 | Earth | 22 | 1 348 05 | 1 | - | - |
| 1 371 27/37 | | 2 | 1 | Earth | 22 | 1 348 05 | 1 | - | - |
| 1 375 27/37 | | 2 | 1 | Earth | 27 | 1 348 05 | 1 | - | - |
| 1 372 07/17 1 376 07/17 | | 2 | 1 | Earth | 27 | 1 348 05 | 1 | - | - |
| 1 374 27/37 | | 2 | 1 | Earth | 27 | 1 348 05 | 1 | - | - |

Practibox S surface-mounting cabinets with unprotected terminal blocks on a support

Cat. No(s): 1 341 24/28/34/38 - 1 342 04/08/14/18
 1 343 48/58 - 1 346 04/08/14/18 - 1 351 21/22/23/24/31/32/33/34
 1 352 01/02/03/04/11/12/13/14
 1 353 41/42/43/44/51/52/53/54 - 1 354 21/22/23/24/31/32/33/34
 1 356 01/02/03/04/11/12/13/14 - 1 371 25/26/27/28/29/35/36/37/38/39
 1 372 05/06/07/08/09/15/16/17/18/19
 1 373 46/47/48/49/56/57/58/59 - 1 374 25/26/27/28/29/35/36/37/38/39
 1 375 26/27/28/29/36/37/38/39 - 1 376 05/06/07/08/09/15/16/17/18/19

6. INSTALLATION ADD-ONS (continued)

6.4 Additional terminal blocks (continued)

| Cat. Nos. | Size | Terminal block capacity | Supplied equipped with terminal block on support | | | Accessories | | | |
|---|-------|-------------------------|--|-----------------|--------------|--|----------------------|--|----------------------|
| | | | | | | Terminal blocks which can be added | | Unprotected terminal blocks which can be added on existing support | |
| | | | No. | Type | No. of holes |  | Max. no. to be added | Cat. Nos. | Max. no. to be added |
| 1 371 28/38 1 375 28/38 | 3x18M | 4 | - | - | - | 1 348 05/15 | 1 | | |
| | | | - | - | - | 1 348 05 | - | | |
| | | | - | - | - | 1 348 05 | - | | |
| | | | 1 | Earth | 35 | - | - | | |
| 1 372 08/18 1 376 08/18 | | 4 | 1 | Neutral | 35 | - | - | | |
| | | | - | - | - | 1 348 05/15 | 1 | | |
| | | | - | - | - | 1 348 05 | 1 | | |
| 1 374 28/38 | | 4 | 1 | Neutral | 2x13 | - | - | | |
| | | | - | - | - | 1 348 05/15 | 1 | | |
| | | | - | - | - | 1 348 05 | 1 | | |
| 1 373 48/58 | | 4 | 1 | Neutral | 2x13 | - | - | | |
| | | | 1 | Neutral | 13 | - | - | | |
| | - | | - | - | 1 348 05/15 | 1 | | | |
| | - | | - | - | 1 348 05 | 1 | | | |
| 1 371 29/39 1 375 29/39 | 4x18M | 4 | - | - | - | 1 348 05/15 | 1 | | |
| | | | - | - | - | 1 348 05 | 1 | | |
| | | | - | - | - | 1 348 05 | 1 | | |
| | | | 1 | Earth | 35 | - | - | | |
| 1 373 49/59 | | 4 | 1 | Neutral | 2x13 | - | - | | |
| | | | 1 | Neutral | 2x13 | - | - | | |
| | | | - | - | - | 1 348 05/15 | 1 | | |
| 1 372 09/19 1 376 09/19 | | 4 | 1 | Neutral | 35 | 1 348 05/15 | 2/1 | | |
| | | | 1 | Earth | 35 | - | - | | |
| | | | - | - | - | - | - | | |
| 1 374 29/39 | | 4 | 1 | Neutral | 2x13 | - | - | | |
| | | | - | - | - | 1 348 05/15 | 1 | | |
| | - | | - | - | 1 348 05 | 1 | | | |
| 1 371 25/1 35 | 1x22M | 2 | 1 | - | - | 1 348 16 | 1 | | |
| | | | - | Earth | 17 | - | - | | |
| | | | 1 | Earth + Neutral | 17 + 17 | - | - | | |
| 1 372 05/15 1 374 25/35 1 376 05/15 | 2 | 1 | Earth + Neutral | 17 + 17 | - | - | | | |
| | | - | - | - | 1 348 16 | 1 | | | |
| | | - | - | - | - | - | | | |