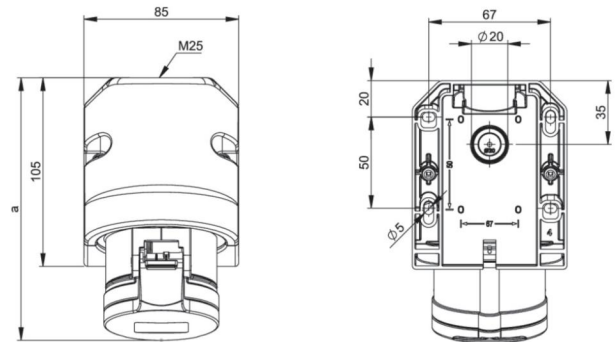


article#	<b>114-10</b>
article description	<b>CEE-wall mounted socket 16A 4p 10h IP44</b>
description long	CEE-wall mounted socket 16A 4p 10h IP44 housing material: PA6 rated current: 16A number of poles: 4 (3P+PE) clock-position: 10h rated voltage/frequency: >50V~ / 100-300Hz contacts: brass connection technology: screw terminals cable entry: top and rear inc. threaded cable grommet IP protection class: IP44
GTIN (EAN)	9003399017926
country of origin	AT
customs number	85366990
net weight	0.240 kg
packaging quantity	10
minimum order quantity	10

ETIM 9.0	EC001321
Model	Surface mounted
IEC-amperage	16 A
Number of poles	4
Voltage according to EN 60309-2	50-500 V (100-300 Hz) green
Clock hour position	10 h
Identification colour	Green
Degree of protection (IP)	IP44
Connection system	Screwed terminal
Cable entry	Gland nut
Material	Plastic
Contact material	CuZn
Surface treatment contacts	Untreated
Type of fastening	Inner lying mounting

a	145 mm
b	98 mm
wire flexible	1-2,5 mm <sup>2</sup>
wire solid	1-4 mm <sup>2</sup>
contact screws	100 Ncm
housing screws	110 Ncm
dismantling length	50 mm
stripping length	10-12 mm
ambient temperature	-25 – 40 °C
temperature resistance	-25 – 80 °C



b=Höhe/height  
Neigung/angle=15°



<https://www.pcelectric.at/shop/en/?func=detail&artnr=114-10>

