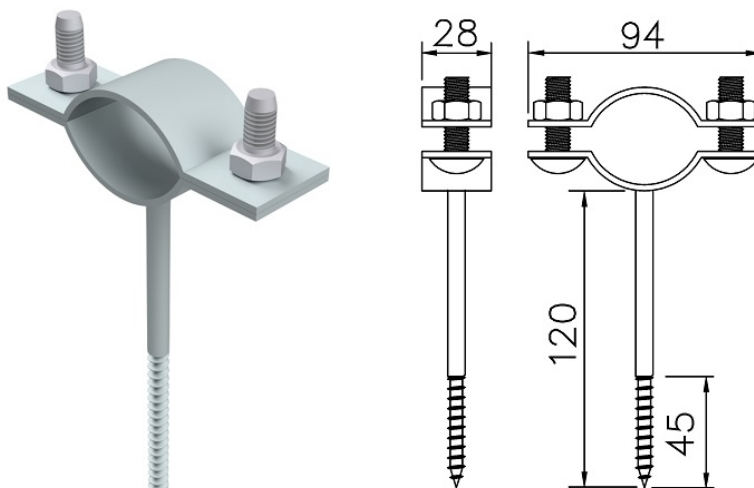


Lightning protection pipes

## Lightning pipe clamp – screwed in Ø30-45mm (galvanized steel) /OC/

CATALOG NO. : AH28561



GTIN/EAN	5907675562893
Material	electro-galvanized steel
Bolt	2xM8x25
Screw / nut material	galvanized steel
Height / lenght [mm]	120

Due to continuous technical development, AH Hardt sp.j. reserves the right to introduce technical and technological changes of the products. The illustrations shown are not binding.