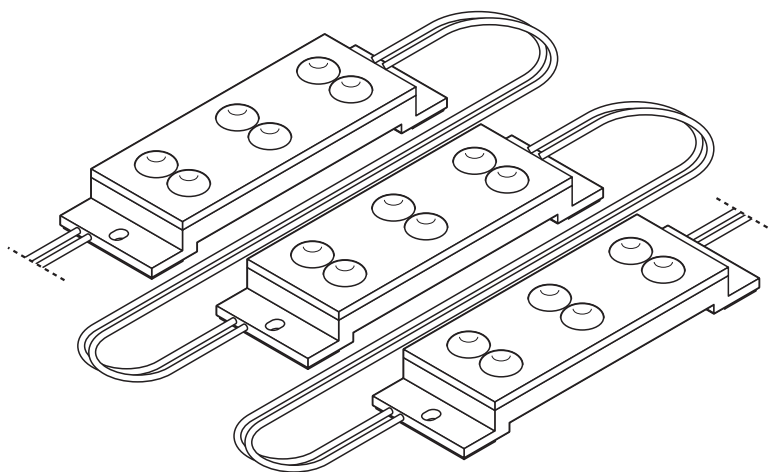


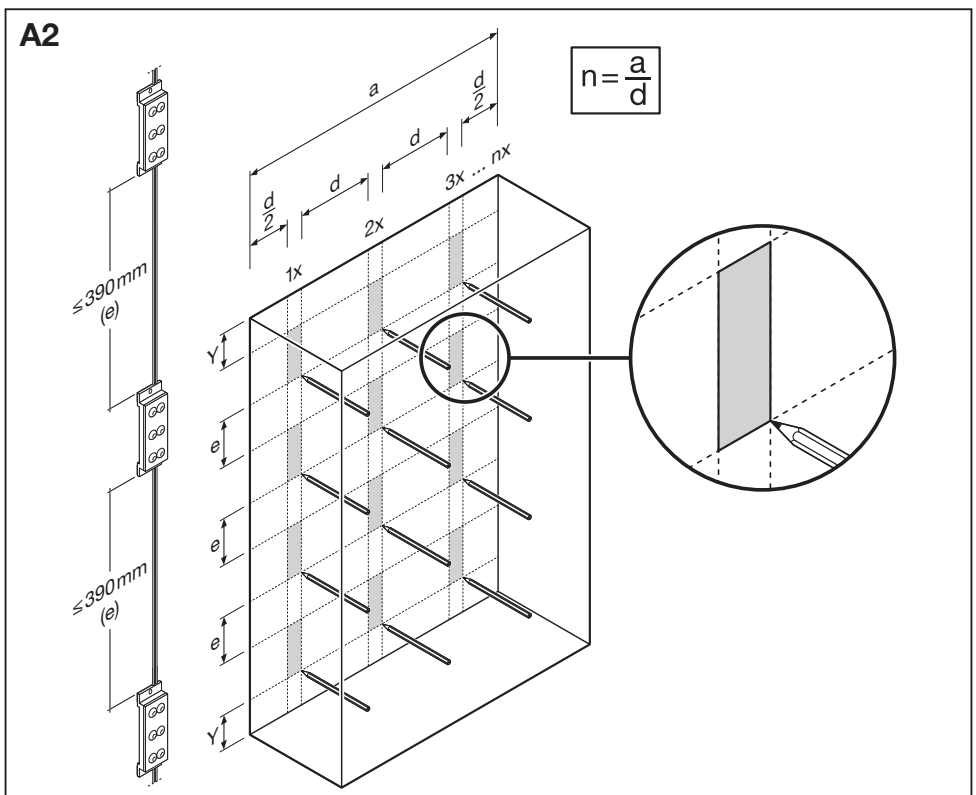
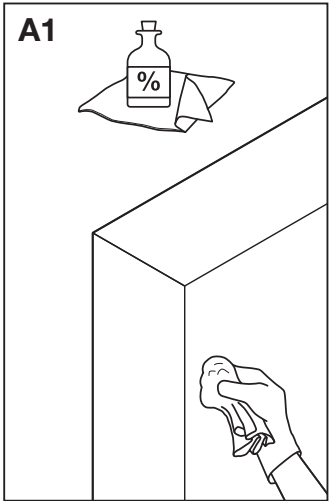
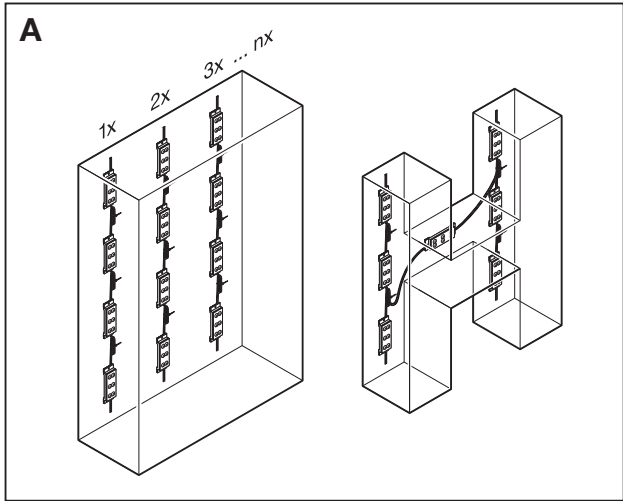
# BackLED® XL Plus G15

BA-XL-PL 865 G15 100W 24V – EAN 4052899245815

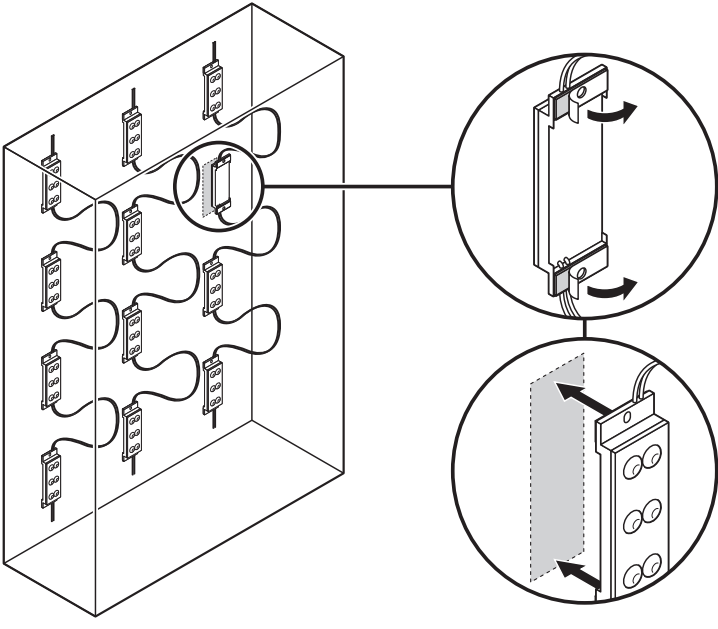
BA-XL-PL 840 G15 100W 24V – EAN 4052899245839

BA-XL-PL 830 G15 100W 24V – EAN 4052899245853

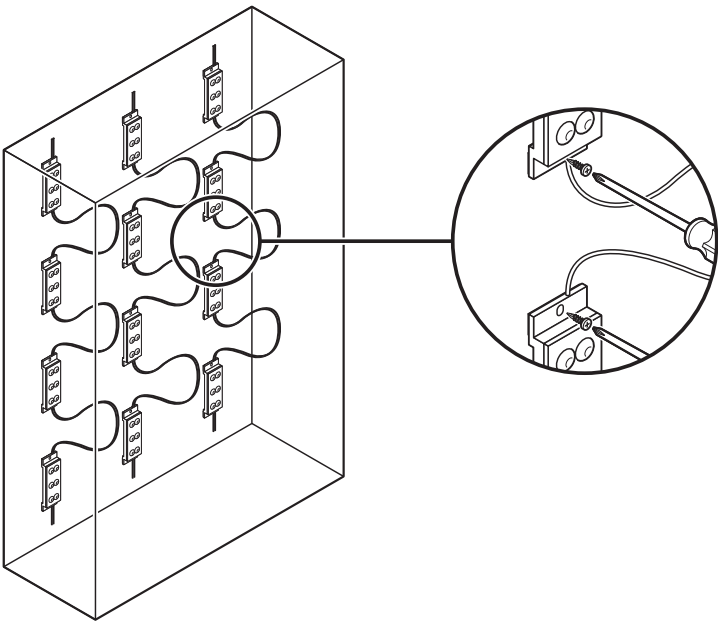




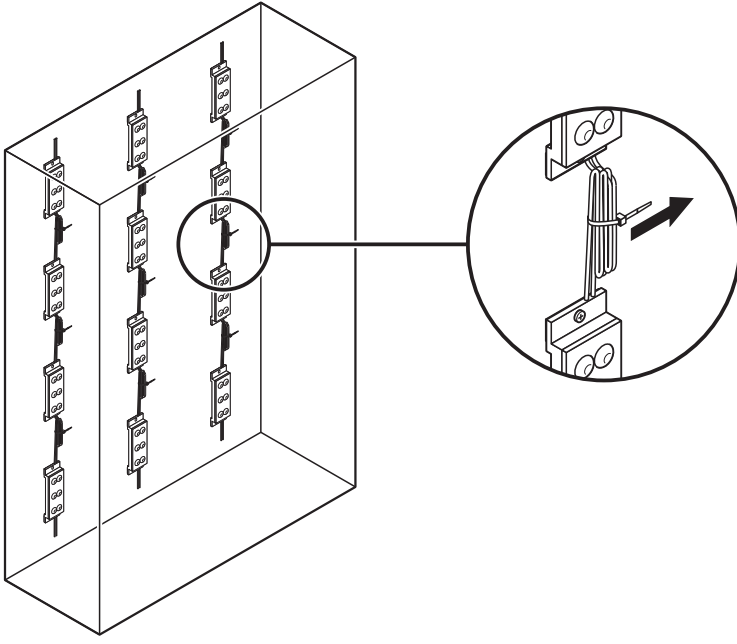
**A3**



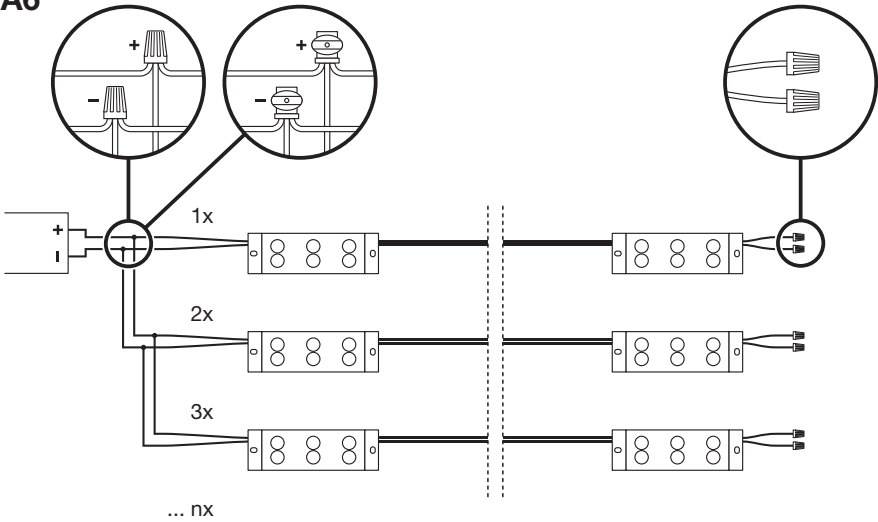
**A4**

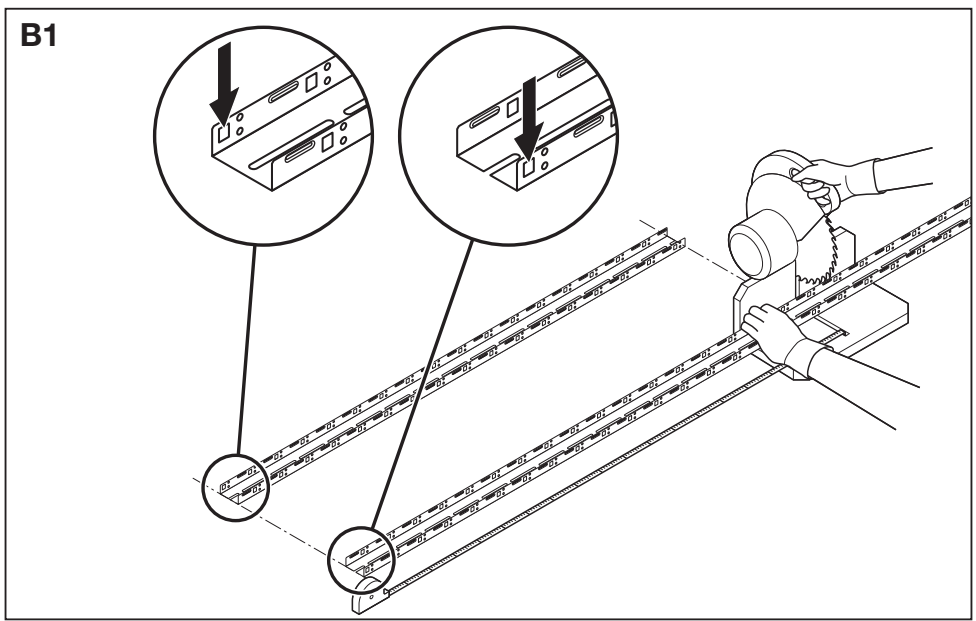
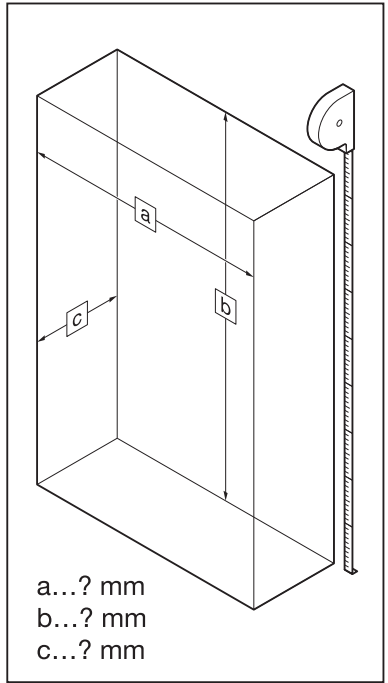
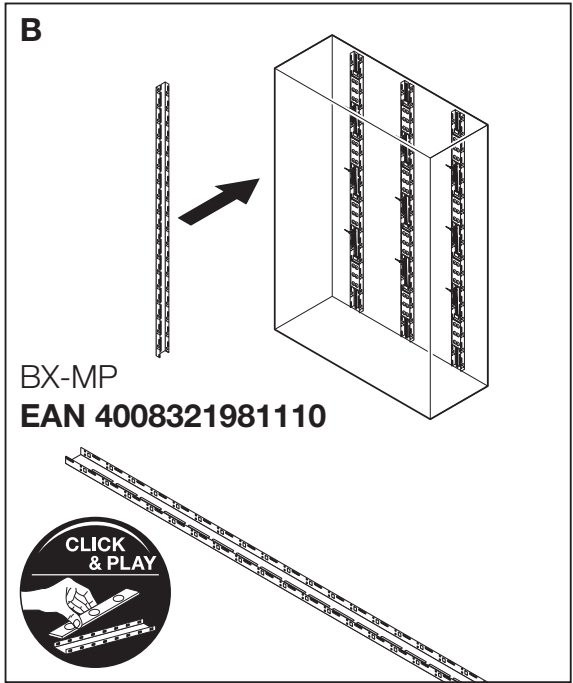


A5

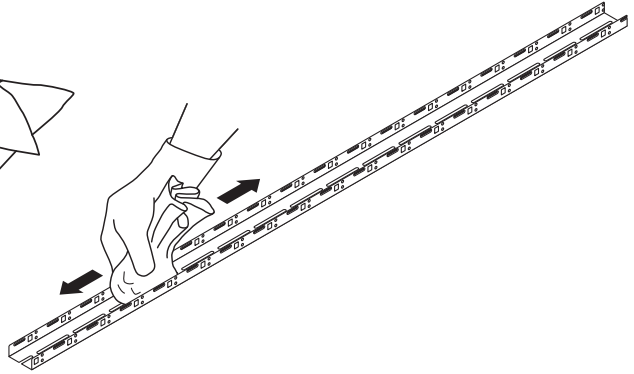
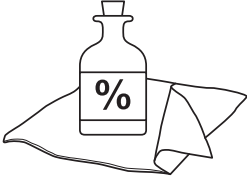


A6

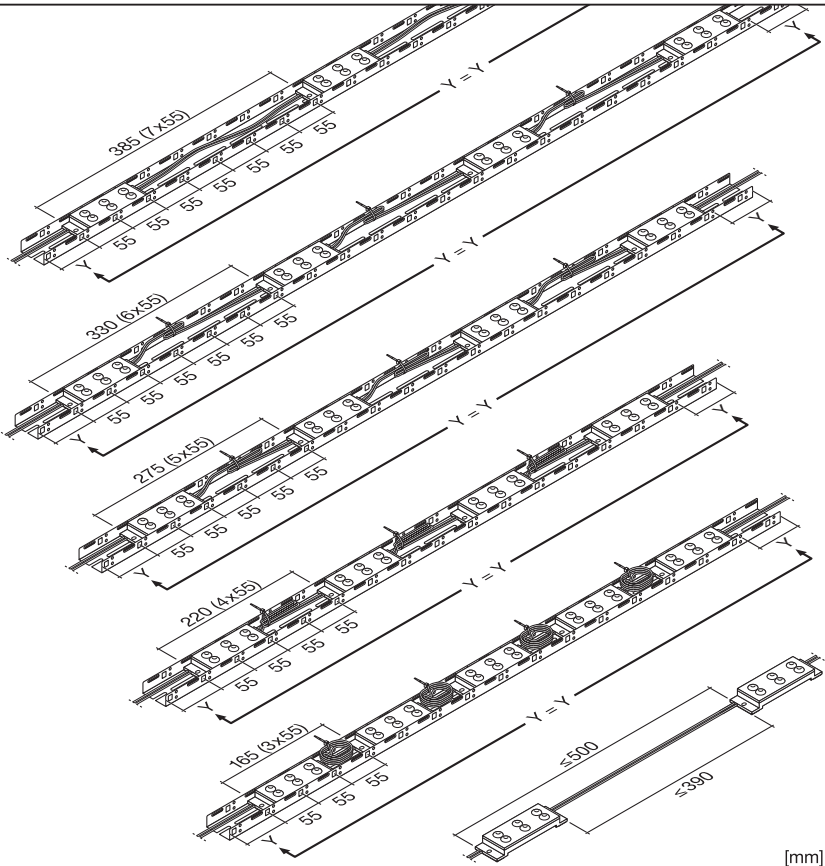


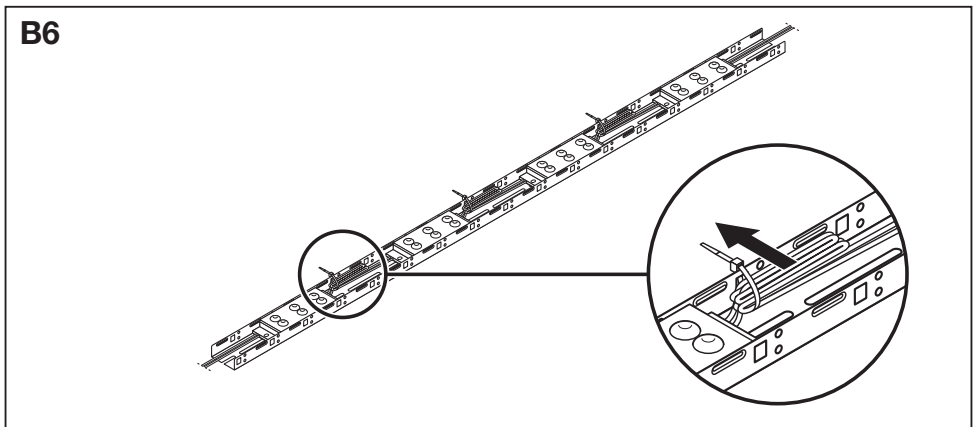
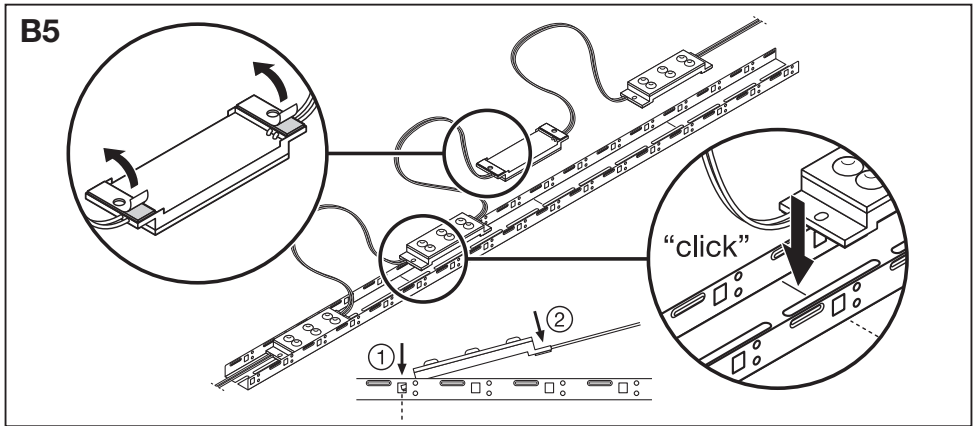
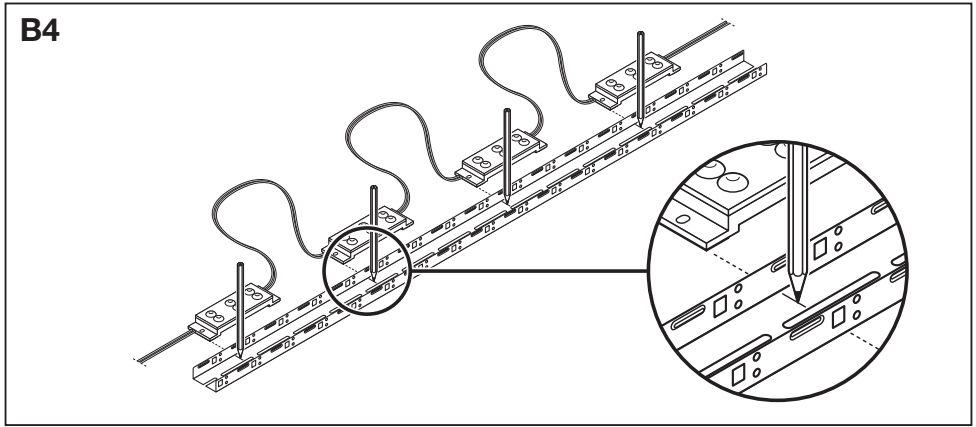


**B2**

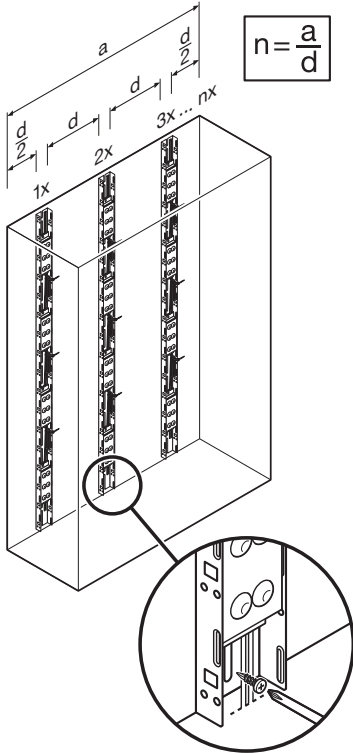


**B3**

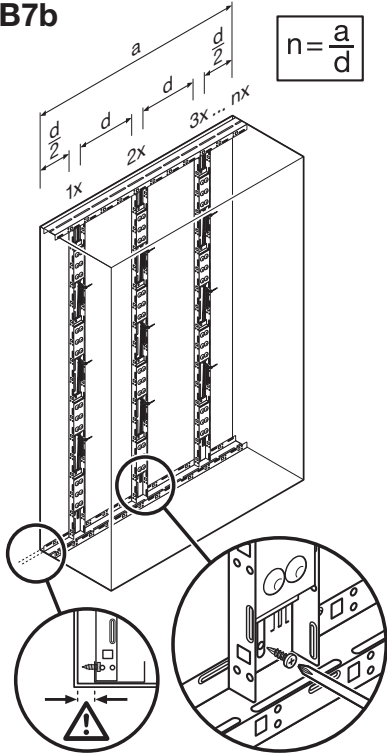




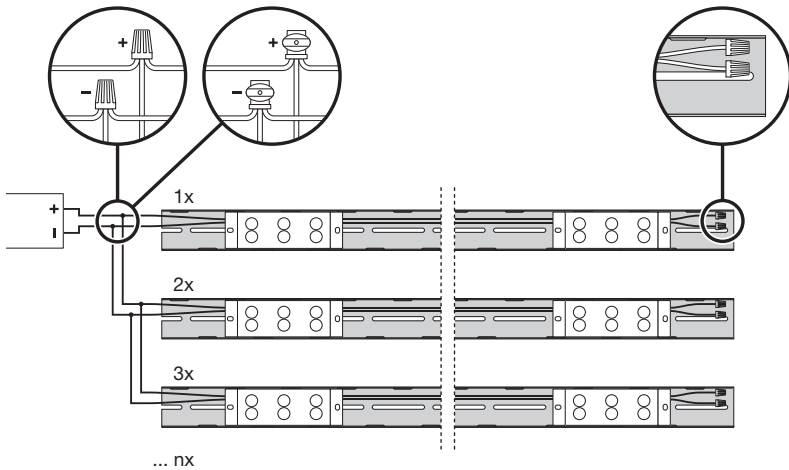
### B7a



### B7b



### B8



OSRAM China Lighting Ltd.  
No. 1 North Industrial Road  
Postal Code: 528000  
Foshan, Guangdong  
China



C10449058  
G10533495  
24.09.14

OSRAM GmbH  
Steinerne Furt 62  
86167 Augsburg  
Germany  
[www.osram.com](http://www.osram.com)