

OPTOTRONIC® LED Power Supply

1) **OPTOTRONIC® INTELLIGENT**
OTi DALI 35/220-240/400 D LT2 L
 Constant current LED Power Supply

$I_{out}(mA)$	$P_{rated}(W)$	$U_{rated}(V)$	U_{in}/f_n	$I_{in}(A)$	η	$t_c(^\circ C)$
75-400	38	54-240	220-240V 0/50/60 Hz	0.19	0.95	-25...60

Amplitude 100% 1% $t_c = 75^\circ C$

OSRAM GmbH, Steinerne Furt 62, 86167 Augsburg, Germany, www.osram.com

Connect PE to case or PIN 4
 wire preparation: push in 1.0-1.5mm, f: 0.2-0.3mm, 8-9mm

LEDset, EL, OSRAM, U-OUT = 250V

LED + ● 21-
 ● 22
 ● 23
 LEDset ● 24
 LED-aux ● 25
 + ● 26-
 LED- ● 27

OTi DALI 35/220-240/400 D LT2 L

picture only for reference, valid print on product 5)

2) **OPTOTRONIC® INTELLIGENT**
OTi DALI 60/220-240/550 D LT2 L
 Constant current LED Power Supply

$I_{out}(mA)$	$P_{rated}(W)$	$U_{rated}(V)$	U_{in}/f_n	$I_{in}(A)$	η	$t_c(^\circ C)$
120-650	60	54-240	220-240V 0/50/60 Hz	0.30	0.95	-25...60

Amplitude 100% 1% $t_c = 75^\circ C$

OSRAM GmbH, Steinerne Furt 62, 86167 Augsburg, Germany, www.osram.com

Connect PE to case or PIN 4
 wire preparation: push in 1.0-1.5mm, f: 0.2-0.3mm, 8-9mm

LEDset, EL, OSRAM, U-OUT = 250V

LED + ● 21-
 ● 22
 ● 23
 LEDset ● 24
 LED-aux ● 25
 + ● 26-
 LED- ● 27

OTi DALI 60/220-240/550 D LT2 L

picture only for reference, valid print on product 5)

3) **OPTOTRONIC® INTELLIGENT**
OTi DALI 90/220-240/1A0 LT2 L
 Constant current LED Power Supply

$I_{out}(mA)$	$P_{rated}(W)$	$U_{rated}(V)$	U_{in}/f_n	$I_{in}(A)$	η	$t_c(^\circ C)$
250-1000	90	54-240	220-240V 0/50/60 Hz	0.43	0.99	-25...50

Amplitude 100% 1% $t_c = 75^\circ C$

OSRAM GmbH, Steinerne Furt 62, 86167 Augsburg, Germany, www.osram.com

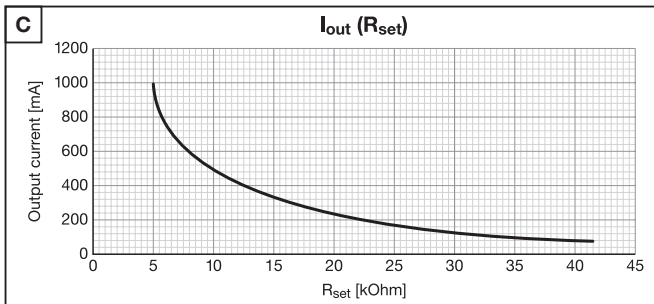
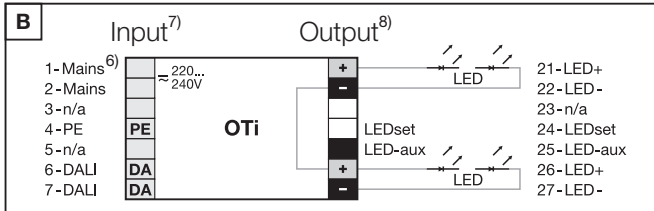
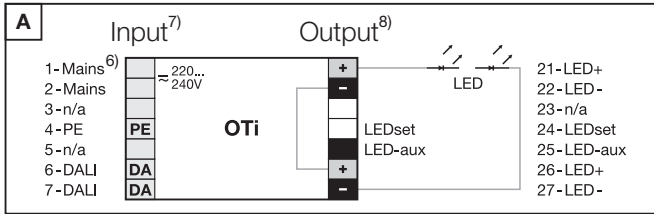
Connect PE to case or PIN 4
 wire preparation: push in 1.0-1.5mm, f: 0.2-0.3mm, 8-9mm

LEDset, EL, OSRAM, U-OUT = 250V

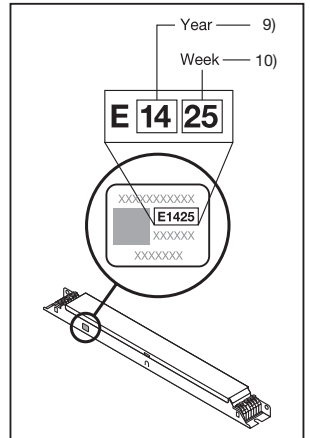
LED + ● 21-
 ● 22
 ● 23
 LEDset ● 24
 LED-aux ● 25
 + ● 26-
 LED- ● 27

OTi DALI 90/220-240/1A0 LT2 L

picture only for reference, valid print on product 5)



$$I_{OUT[A]} = \frac{5V}{R_{set[\Omega]}} \times 1000 \quad (\text{www.osram.com/ledset})$$



	OTi 35	OTi 60	OTi 90
B16	28x	24x	24x
B10	17x	13x	13x
A	$\leq 24A$	$\leq 25A$	$\leq 25A$
T_H	220 μs	280 μs	280 μs
V_{N AC}	198-264 V		
V_{N DC}	176-276 V		

OSRAM

