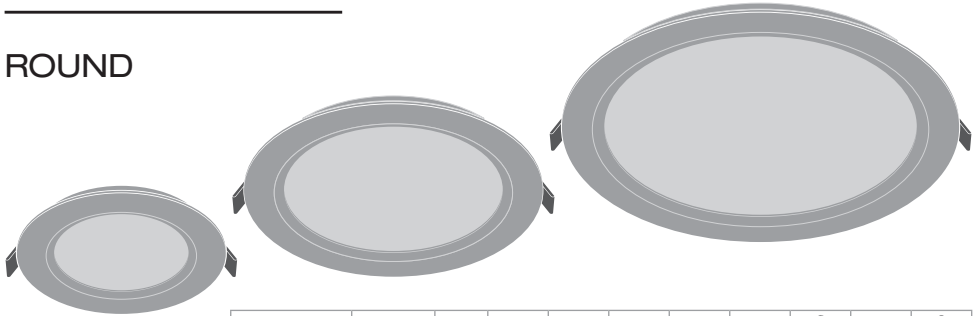


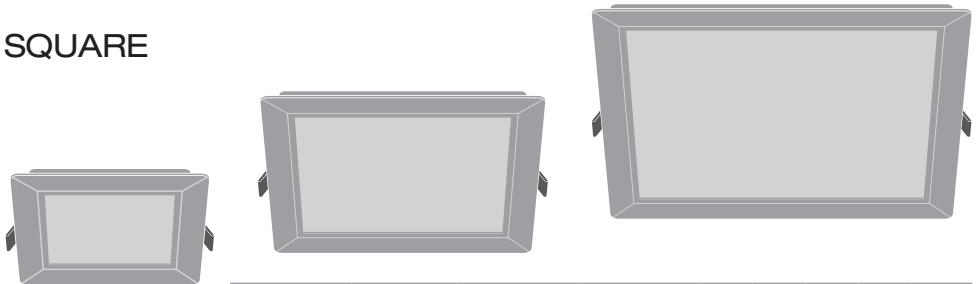
DOWNLIGHT SLIM

ROUND

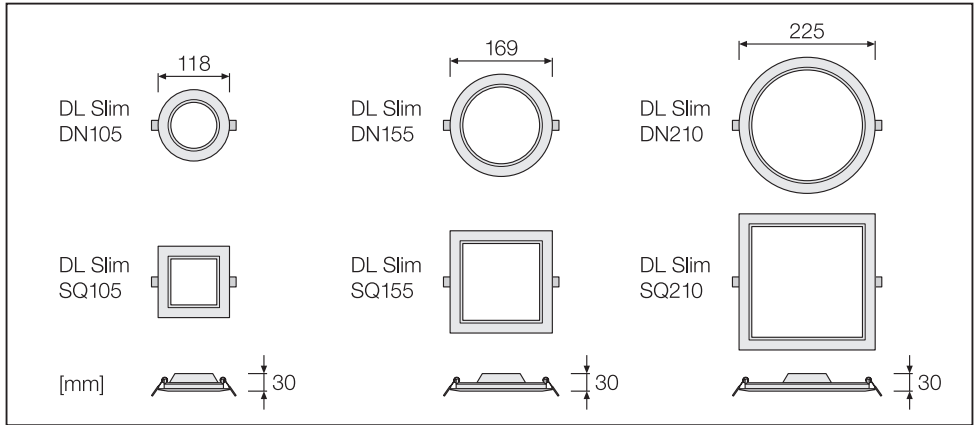


	EAN	Øxh[mm]	W	lm	lm/W	K	IP	IK	☼	R _a	👤
DL SLIM DN105 6W/3000K WT	4058075078970	118x30	6	420	70	3000	20	03	120°	>80	0.2 kg
DL SLIM DN105 6W/4000K WT	4058075078994	118x30	6	430	70	4000	20	03	120°	>80	0.2 kg
DL SLIM DN105 6W/6500K WT	4058075079014	118x30	6	430	70	6500	20	03	120°	>80	0.2 kg
DL SLIM DN155 12W/3000K WT	4058075079038	169x30	12	1020	85	3000	20	03	120°	>80	0.3 kg
DL SLIM DN155 12W/4000K WT	4058075079052	169x30	12	1020	85	4000	20	03	120°	>80	0.3 kg
DL SLIM DN155 12W/6500K WT	4058075079076	169x30	12	1020	85	6500	20	03	120°	>80	0.3 kg
DL SLIM DN210 18W/3000K WT	4058075079090	225x30	18	1530	85	3000	20	03	120°	>80	0.4 kg
DL SLIM DN210 18W/4000K WT	4058075079113	225x30	18	1530	85	4000	20	03	120°	>80	0.4 kg
DL SLIM DN210 18W/6500K WT	4058075079137	225x30	18	1530	85	6500	20	03	120°	>80	0.4 kg

SQUARE

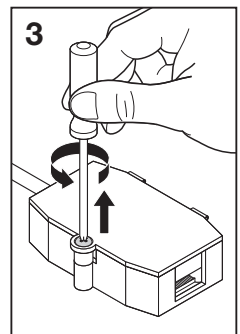
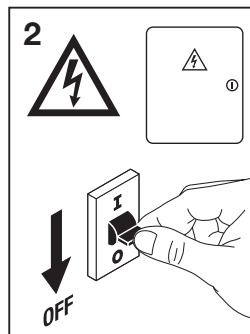
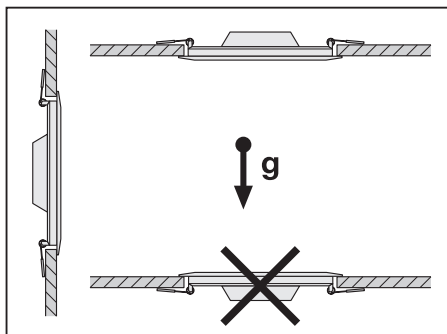


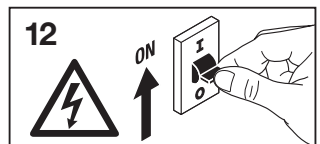
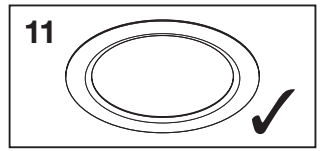
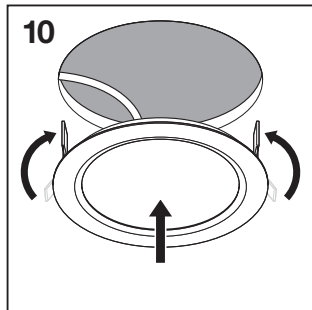
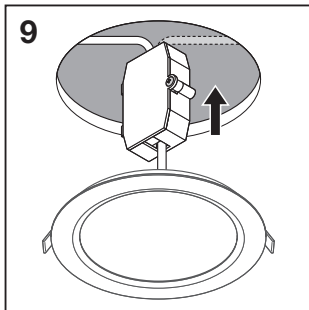
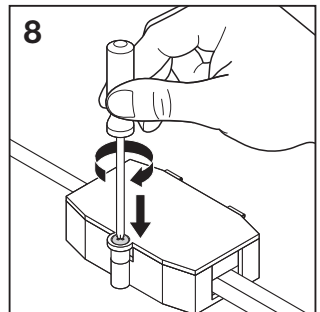
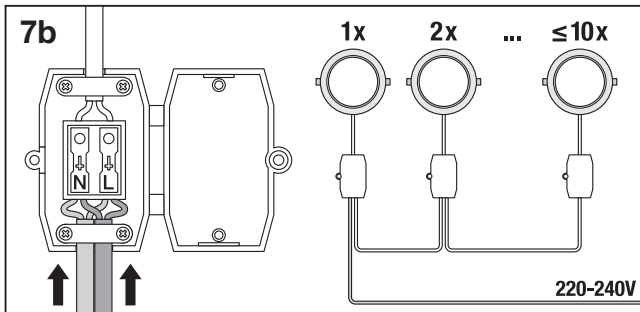
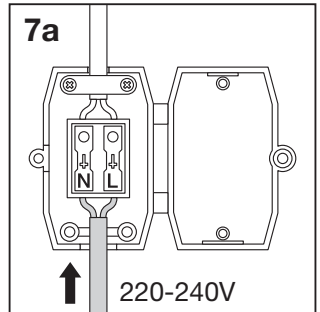
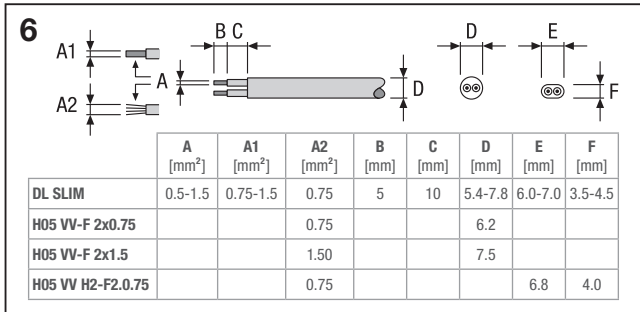
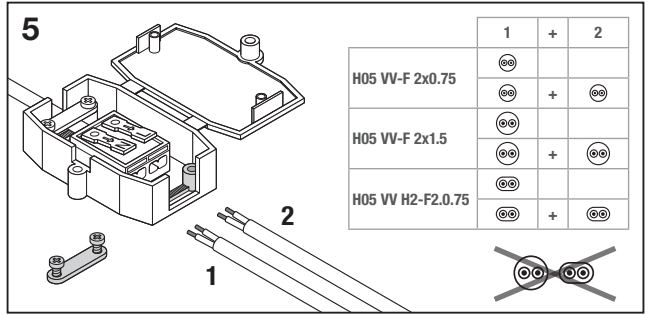
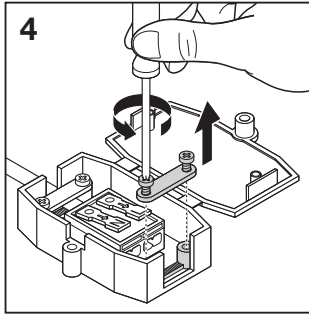
	EAN	L x W x H	W	lm	lm/W	K	IP	IK	☼	R _a	👤
DL SLIM SQ105 6W/3000K WT	4058075079212	118x118x30	6	420	70	3000	20	03	120°	>80	0.2 kg
DL SLIM SQ105 6W/4000K WT	4058075079236	118x118x30	6	430	70	4000	20	03	120°	>80	0.2 kg
DL SLIM SQ105 6W/6500K WT	4058075079250	118x118x30	6	430	70	6500	20	03	120°	>80	0.2 kg
DL SLIM SQ155 12W/3000K WT	4058075079274	169x169x30	12	1020	85	3000	20	03	120°	>80	0.3 kg
DL SLIM SQ155 12W/4000K WT	4058075079298	169x169x30	12	1020	85	4000	20	03	120°	>80	0.3 kg
DL SLIM SQ155 12W/6500K WT	4058075079311	169x169x30	12	1020	85	6500	20	03	120°	>80	0.3 kg
DL SLIM SQ210 18W/3000K WT	4058075079335	225x225x30	18	1530	85	3000	20	03	120°	>80	0.5 kg
DL SLIM SQ210 18W/4000K WT	4058075079359	225x225x30	18	1530	85	4000	20	03	120°	>80	0.5 kg
DL SLIM SQ210 18W/6500K WT	4058075079373	225x225x30	18	1530	85	6500	20	03	120°	>80	0.5 kg



1

	a	b	c	d	e	f	g	h
DL SLIM DN105	∅110 mm	∅107 mm	∅118 mm	3-30 mm	50 mm	25 mm	≥60 mm	≥50 mm
DL SLIM DN155	∅160 mm	∅156 mm	∅168 mm	3-30 mm	50 mm	25 mm	≥60 mm	≥50 mm
DL SLIM DN210	∅215 mm	∅210 mm	∅224 mm	3-30 mm	50 mm	25 mm	≥60 mm	≥50 mm
DL SLIM SQ105	□110 mm	□107 mm	□118 mm	3-30 mm	50 mm	25 mm	≥60 mm	≥50 mm
DL SLIM SQ155	□160 mm	□156 mm	□168 mm	3-30 mm	50 mm	25 mm	≥60 mm	≥50 mm
DL SLIM SQ210	□215 mm	□210 mm	□224 mm	3-30 mm	50 mm	25 mm	≥60 mm	≥50 mm







	EAN	θ (°C)	V _{AC}	Hz	PF
DL SLIM DN105 6W/3000K WT	4058075078970	0...+40	220-240V	50/60 Hz	≥ 0.8
DL SLIM DN105 6W/4000K WT	4058075078994	0...+40	220-240V	50/60 Hz	≥ 0.8
DL SLIM DN105 6W/6500K WT	4058075079014	0...+40	220-240V	50/60 Hz	≥ 0.8
DL SLIM DN155 12W/3000K WT	4058075079038	0...+40	220-240V	50/60 Hz	≥ 0.8
DL SLIM DN155 12W/4000K WT	4058075079052	0...+40	220-240V	50/60 Hz	≥ 0.8
DL SLIM DN155 12W/6500K WT	4058075079076	0...+40	220-240V	50/60 Hz	≥ 0.8
DL SLIM DN210 18W/3000K WT	4058075079090	0...+40	220-240V	50/60 Hz	≥ 0.8
DL SLIM DN210 18W/4000K WT	4058075079113	0...+40	220-240V	50/60 Hz	≥ 0.8
DL SLIM DN210 18W/6500K WT	4058075079137	0...+40	220-240V	50/60 Hz	≥ 0.8
DL SLIM SQ105 6W/3000K WT	4058075079212	0...+40	220-240V	50/60 Hz	≥ 0.8
DL SLIM SQ105 6W/4000K WT	4058075079236	0...+40	220-240V	50/60 Hz	≥ 0.8
DL SLIM SQ105 6W/6500K WT	4058075079250	0...+40	220-240V	50/60 Hz	≥ 0.8
DL SLIM SQ155 12W/3000K WT	4058075079274	0...+40	220-240V	50/60 Hz	≥ 0.8
DL SLIM SQ155 12W/4000K WT	4058075079298	0...+40	220-240V	50/60 Hz	≥ 0.8
DL SLIM SQ155 12W/6500K WT	4058075079311	0...+40	220-240V	50/60 Hz	≥ 0.8
DL SLIM SQ210 18W/3000K WT	4058075079335	0...+40	220-240V	50/60 Hz	≥ 0.8
DL SLIM SQ210 18W/4000K WT	4058075079359	0...+40	220-240V	50/60 Hz	≥ 0.8
DL SLIM SQ210 18W/6500K WT	4058075079373	0...+40	220-240V	50/60 Hz	≥ 0.8




















LEDVANCE GmbH
 Steinerne Furt 62
 86167 Augsburg, Germany
www.ledvance.com

LEDVANCE Ltd, Aquila House
 Delta Crescent, Westbrook, Warrington
 WA5 7NR, United Kingdom

C10449057
 G11142787
 03.05.22

À DÉPOSER EN MAGASIN À DÉPOSER EN DÉCHÈTERIE
 Cet appareil se recycle  OU 

Points de collecte sur www.quefairedemesdechets.fr