

LINEAR COMPACT SWITCH/HIGH OUTPUT

LINEAR COMPACT SWITCH

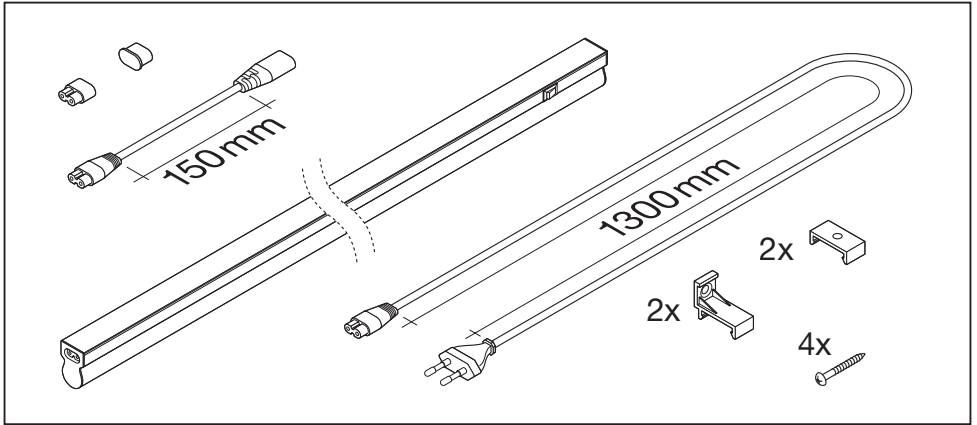


	EAN	l x w x h [mm]	W	lm	lm/W	K	IP	IK	ON <input type="checkbox"/> OFF <input type="checkbox"/>
LN COMP SWITCH 300 4W/3000K	4058075106079	313x28x36	4	400	100	3000	20	03	<input checked="" type="checkbox"/>
LN COMP SWITCH 300 4W/4000K	4058075106093	313x28x36	4	450	110	4000	20	03	<input checked="" type="checkbox"/>
LN COMP SWITCH 600 8W/3000K	4058075106116	573x28x36	8	800	100	3000	20	03	<input checked="" type="checkbox"/>
LN COMP SWITCH 600 8W/4000K	4058075106130	573x28x36	8	800	100	4000	20	03	<input checked="" type="checkbox"/>
LN COMP SWITCH 900 12W/3000K	4058075106192	873x28x36	12	1200	100	3000	20	03	<input checked="" type="checkbox"/>
LN COMP SWITCH 900 12W/4000K	4058075106215	873x28x36	12	1200	100	4000	20	03	<input checked="" type="checkbox"/>
LN COMP SWITCH 1200 14W/3000K	4058075106154	1173x28x36	14	1400	100	3000	20	03	<input checked="" type="checkbox"/>
LN COMP SWITCH 1200 14W/4000K	4058075106178	1173x28x36	14	1500	100	4000	20	03	<input checked="" type="checkbox"/>
LN COMP SWITCH 1500 17W/3000K	4058075683341	1473x28x36	17	1800	106	3000	20	03	<input checked="" type="checkbox"/>
LN COMP SWITCH 1500 17W/4000K	4058075683365	1473x28x36	17	1900	112	4000	20	03	<input checked="" type="checkbox"/>

LINEAR COMPACT HIGH OUTPUT



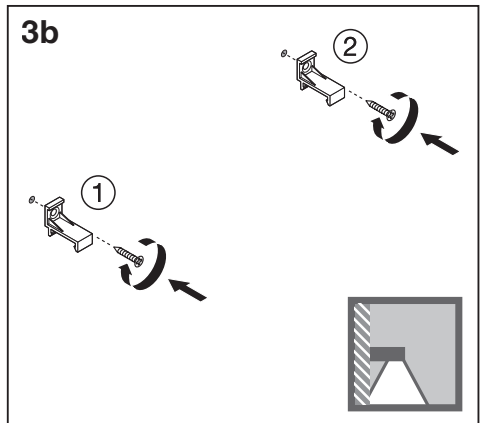
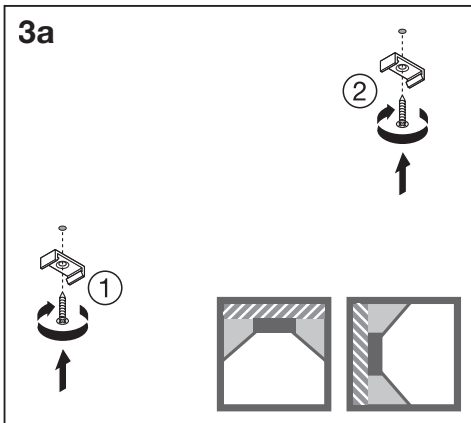
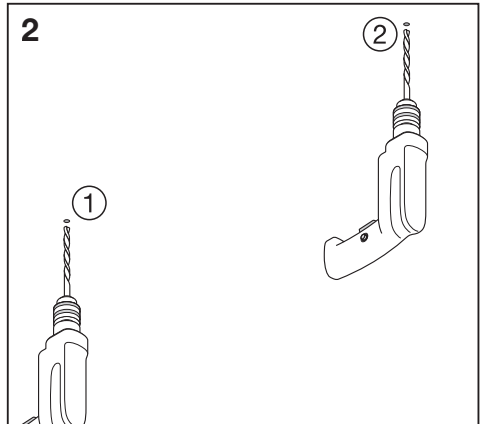
	EAN	l x w x h [mm]	W	lm	lm/W	K	IP	IK	ON <input type="checkbox"/> OFF <input type="checkbox"/>
LN COMP HO 600 10W/3000K	4058075106277	573x24x36	10	1000	100	3000	20	03	-
LN COMP HO 600 10W/4000K	4058075106291	573x24x36	10	1000	100	4000	20	03	-
LN COMP HO 900 15W/3000K	4058075106239	873x24x36	15	1500	100	3000	20	03	-
LN COMP HO 900 15W/4000K	4058075106253	873x24x36	15	1500	100	4000	20	03	-
LN COMP HO 1200 20W/3000K	4058075106314	1173x24x36	20	2000	100	3000	20	03	-
LN COMP HO 1200 20W/4000K	4058075106338	1173x24x36	20	2000	100	4000	20	03	-
LN COMP HO 1500 25W/3000K	4058075106352	1473x24x36	25	2500	100	3000	20	03	-
LN COMP HO 1500 25W/4000K	4058075106376	1473x24x36	25	2500	100	4000	20	03	-

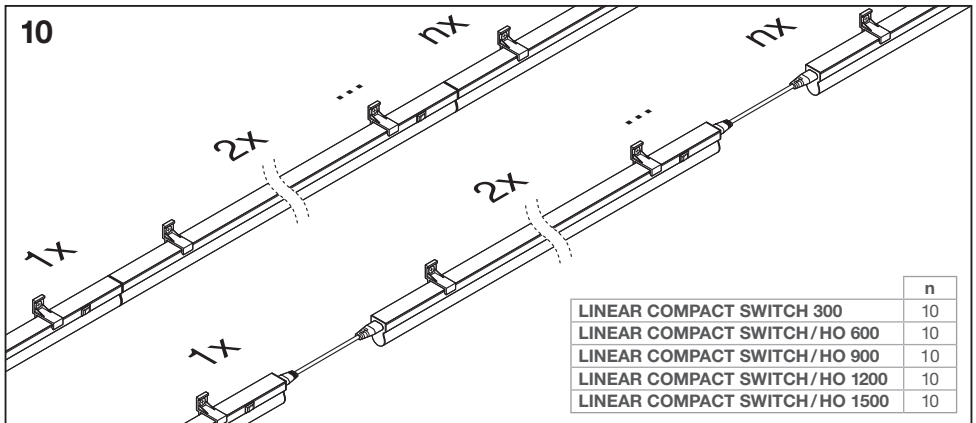
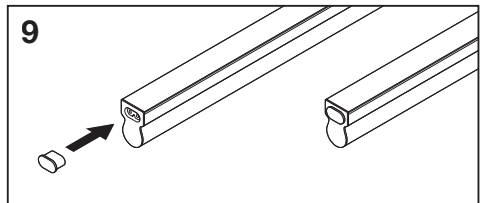
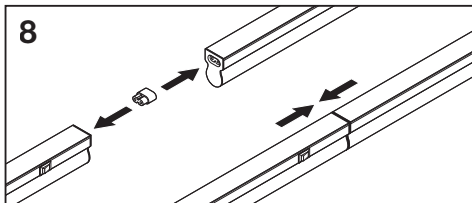
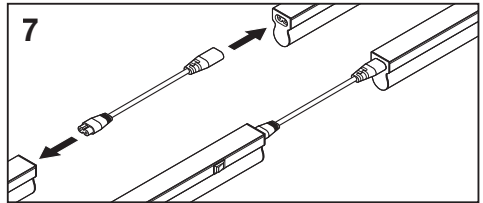
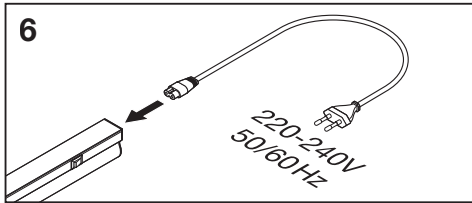
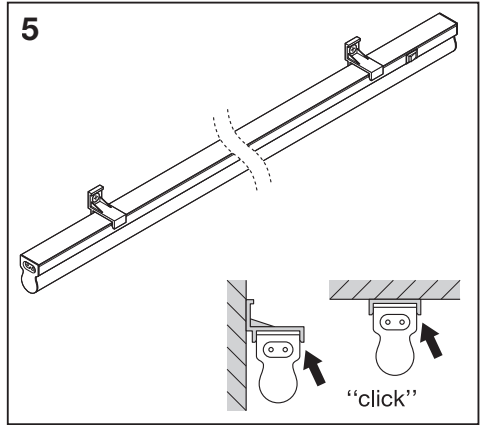
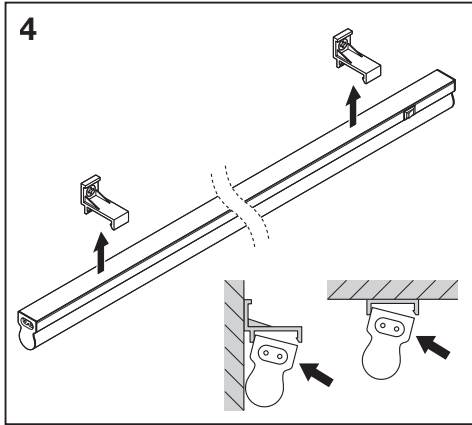


1

d

	d
LINEAR COMPACT SWITCH 300	290 mm
LINEAR COMPACT SWITCH/HO 600	550 mm
LINEAR COMPACT SWITCH/HO 900	850 mm
LINEAR COMPACT SWITCH/HO 1200	1150 mm
LINEAR COMPACT SWITCH/HO 1500	1450 mm



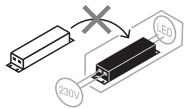


LINEAR COMPACT HO + LINEAR COMPACT HO + LINEAR COMPACT BATTEN
220-240V

LINEAR COMPACT SWITCH + LINEAR COMPACT SWITCH
220-240V

	EAN	°C	V _{AC}	Hz	PF	∠	R _a	👤
LN COMP SWITCH 300 4W/3000K	4058075106079	-20...+40	220-240V	50/60 Hz	> 0.5	140°	> 80	0.1 kg
LN COMP SWITCH 300 4W/4000K	4058075106093	-20...+40	220-240V	50/60 Hz	> 0.5	140°	> 80	0.1 kg
LN COMP SWITCH 600 8W/3000K	4058075106116	-20...+40	220-240V	50/60 Hz	> 0.5	140°	> 80	0.2 kg
LN COMP SWITCH 600 8W/4000K	4058075106130	-20...+40	220-240V	50/60 Hz	> 0.5	140°	> 80	0.2 kg
LN COMP SWITCH 900 12W/3000K	4058075106192	-20...+40	220-240V	50/60 Hz	> 0.5	140°	> 80	0.3 kg
LN COMP SWITCH 900 12W/4000K	4058075106215	-20...+40	220-240V	50/60 Hz	> 0.5	140°	> 80	0.3 kg
LN COMP SWITCH 1200 14W/3000K	4058075106154	-20...+40	220-240V	50/60 Hz	> 0.5	140°	> 80	0.4 kg
LN COMP SWITCH 1200 14W/4000K	4058075106178	-20...+40	220-240V	50/60 Hz	> 0.5	140°	> 80	0.4 kg
LN COMP SWITCH 1500 17W/3000K	4058075683341	-20...+40	220-240V	50/60 Hz	> 0.5	140°	> 80	0.5 kg
LN COMP SWITCH 1500 17W/4000K	4058075683365	-20...+40	220-240V	50/60 Hz	> 0.5	140°	> 80	0.5 kg

	EAN	°C	V _{AC}	Hz	PF	∠	R _a	👤
LN COMP HO 600 10W/3000K	4058075106277	-20...+40	220-240 V	50/60 Hz	> 0.5	140°	> 80	0.2 kg
LN COMP HO 600 10W/4000K	4058075106291	-20...+40	220-240V	50/60 Hz	> 0.5	140°	> 80	0.2 kg
LN COMP HO 900 15W/3000K	4058075106239	-20...+40	220-240V	50/60 Hz	> 0.5	140°	> 80	0.3 kg
LN COMP HO 900 15W/4000K	4058075106253	-20...+40	220-240V	50/60 Hz	> 0.5	140°	> 80	0.3 kg
LN COMP HO 1200 20W/3000K	4058075106314	-20...+40	220-240V	50/60 Hz	> 0.5	140°	> 80	0.4 kg
LN COMP HO 1200 20W/4000K	4058075106338	-20...+40	220-240V	50/60 Hz	> 0.5	140°	> 80	0.4 kg
LN COMP HO 1500 25W/3000K	4058075106352	-20...+40	220-240V	50/60 Hz	> 0.9	140°	> 80	0.6 kg
LN COMP HO 1500 25W/4000K	4058075106376	-20...+40	220-240V	50/60 Hz	> 0.9	140°	> 80	0.6 kg



FR
Cet appareil se recycle

À DÉPOSER EN MAGASIN
OU
À DÉPOSER EN DÉCHÈTERIE

Points de collecte sur www.quefairedemesdechets.fr



LEDVANCE GmbH
Steinerne Furt 62
86167 Augsburg, Germany
www.ledvance.com

C10449057
G11179617
20.10.23

© LEDVANCE Ltd, Aquila House
Delta Crescent, Westbrook, Warrington
WA5 7NR, United Kingdom