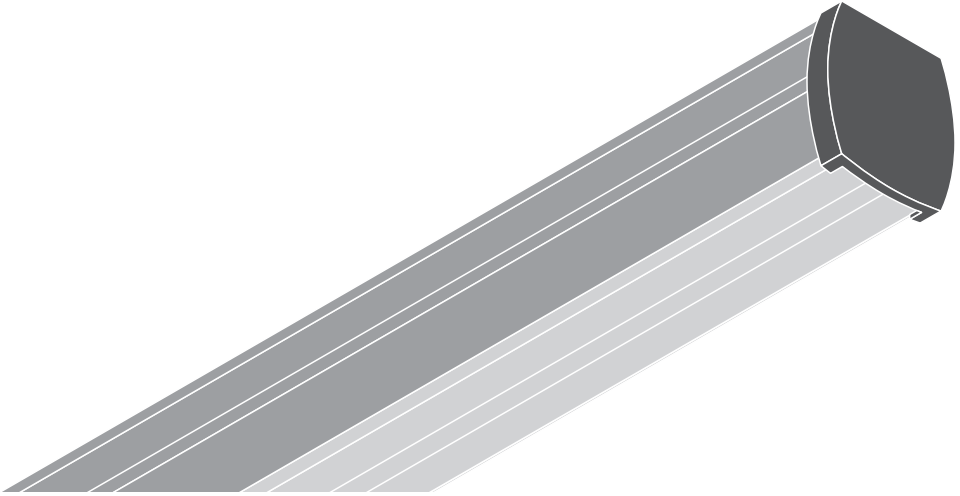
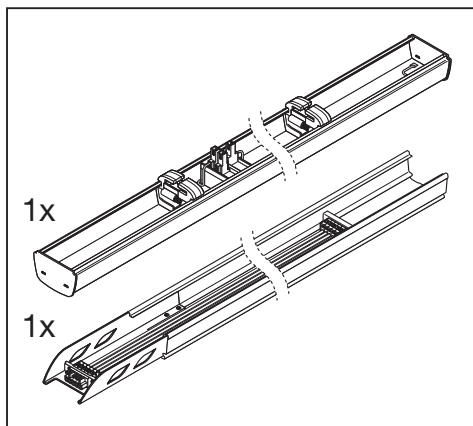


TruSys® TRUNKING SYSTEM PFM ON/OFF

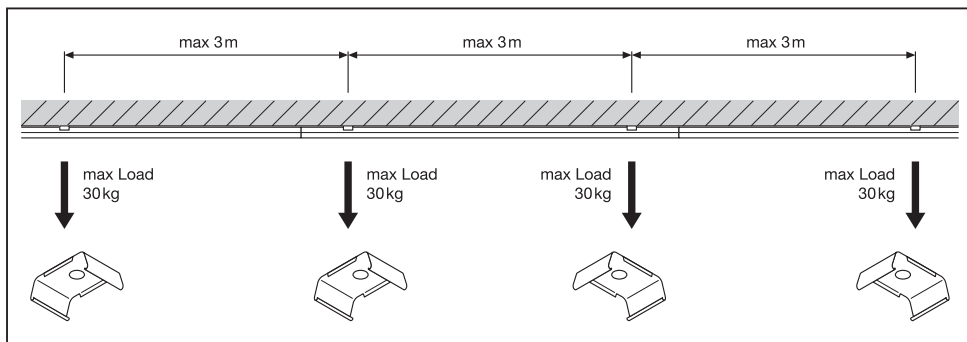


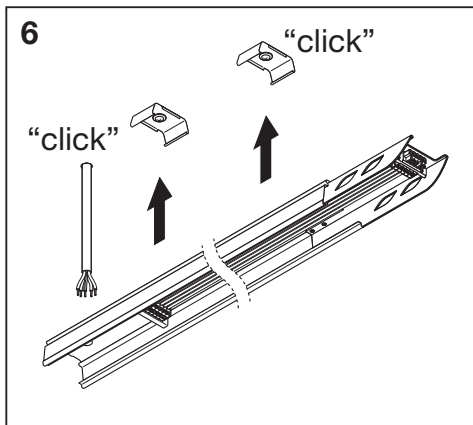
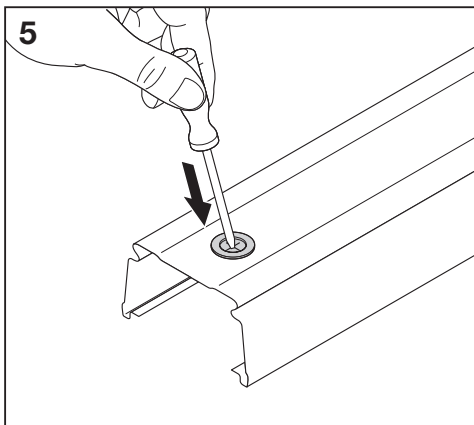
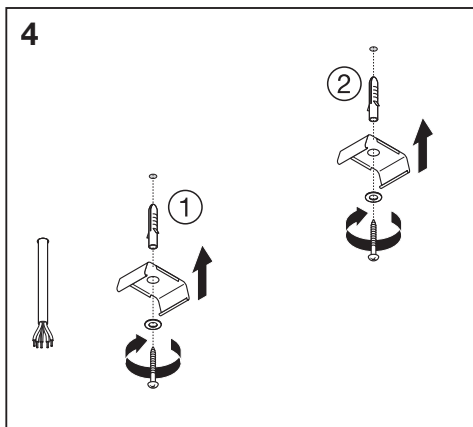
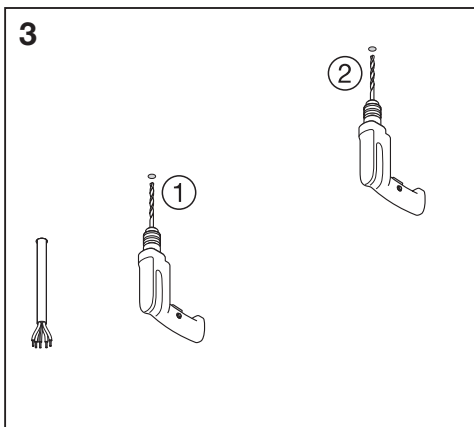
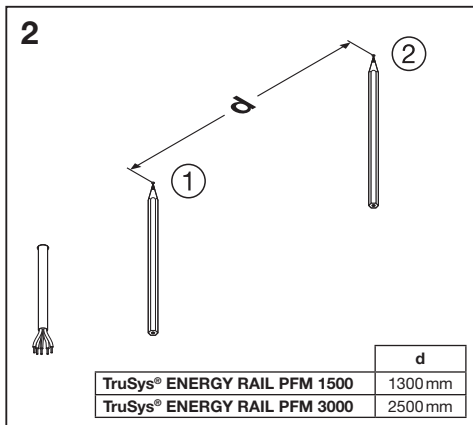
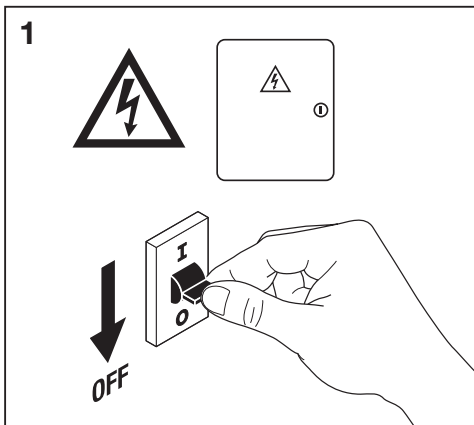
| | EAN | l x w x h [mm] | W | VAC | Hz | lm | lm/W |
|--------------------------------------|---------------|-------------------|----|----------|---------|-------|------|
| TRUSYS PFM 35W/4000K VW | 4058075290921 | 1500x65.8x77.4 | 35 | 220-240V | 50/60Hz | 5600 | 160 |
| TRUSYS PFM 50W/4000K VW | 4058075398771 | 1500x65.8x77.4 | 50 | 220-240V | 50/60Hz | 8000 | 160 |
| TRUSYS PFM 70W/4000K VW | 4058075398818 | 1500x65.8x77.4 | 70 | 220-240V | 50/60Hz | 11200 | 160 |
| TRUSYS PFM 35W/4000K W | 4058075290839 | 1500x65.8x77.4 | 35 | 220-240V | 50/60Hz | 5600 | 160 |
| TRUSYS PFM 50W/4000K W | 4058075290853 | 1500x65.8x77.4 | 50 | 220-240V | 50/60Hz | 8000 | 160 |
| TRUSYS PFM 70W/4000K W | 4058075290891 | 1500x65.8x77.4 | 70 | 220-240V | 50/60Hz | 11200 | 160 |
| TRUSYS PFM 35W/4000K N | 4058075398719 | 1500x65.8x77.4 | 35 | 220-240V | 50/60Hz | 5600 | 160 |
| TRUSYS PFM 50W/4000K N | 4058075290945 | 1500x65.8x77.4 | 50 | 220-240V | 50/60Hz | 8000 | 160 |
| TRUSYS PFM 70W/4000K N | 4058075290969 | 1500x65.8x77.4 | 70 | 220-240V | 50/60Hz | 11200 | 160 |
| TRUSYS PFM 35W/4000K VN | 4058075398696 | 1500x65.8x77.4 | 35 | 220-240V | 50/60Hz | 5600 | 160 |
| TRUSYS PFM 50W/4000K VN | 4058075398757 | 1500x65.8x77.4 | 50 | 220-240V | 50/60Hz | 8000 | 160 |
| TRUSYS PFM 70W/4000K VN | 4058075290983 | 1500x65.8x77.4 | 70 | 220-240V | 50/60Hz | 11200 | 160 |
| TRUSYS PFM 35W/4000K DS | 4058075398733 | 1500x65.8x77.4 | 35 | 220-240V | 50/60Hz | 5600 | 160 |
| TRUSYS PFM 50W/4000K DS | 4058075398795 | 1500x65.8x77.4 | 50 | 220-240V | 50/60Hz | 8000 | 160 |
| TRUSYS PFM 70W/4000K DS | 4058075398832 | 1500x65.8x77.4 | 70 | 220-240V | 50/60Hz | 11200 | 160 |
| TRUSYS PFM ENERGY RAIL 1500 5P 1x | 4058075299566 | 1650x70.2x38.8 | - | - | - | - | - |
| TRUSYS PFM ENERGY RAIL 1500 5P 10x | 4058075299443 | 1650x70.2x38.8 | - | - | - | - | - |
| TRUSYS PFM ENERGY RAIL 1500 5P E 1x | 4058075354753 | 1500x70.2x38.8 | - | - | - | - | - |
| TRUSYS PFM ENERGY RAIL 1500 5P E 10x | 4058045299474 | 1500x70.2x38.8 | - | - | - | - | - |
| TRUSYS PFM ENERGY RAIL 3000 5P 1x | 4058075354777 | 3150x70.2x38.8 | - | - | - | - | - |
| TRUSYS PFM ENERGY RAIL 3000 5P 10x | 4058075299498 | 3150x70.2x38.8 | - | - | - | - | - |

| | EAN | K | IP | IK | ∠ | R _a | °(°C) | PF | ⊙ | 👤 |
|--------------------------------------|---------------|------|----|----|-------|----------------|-----------|-------|---|--------|
| TRUSYS PFM 35W/4000K VW | 4058075290921 | 4000 | 20 | 04 | 120° | ≥80 | -25...+40 | >0.95 | - | 1.7 kg |
| TRUSYS PFM 50W/4000K VW | 4058075398771 | 4000 | 20 | 04 | 120° | ≥80 | -25...+40 | >0.95 | - | 1.7 kg |
| TRUSYS PFM 70W/4000K VW | 4058075398818 | 4000 | 20 | 04 | 120° | ≥80 | -25...+40 | >0.95 | - | 1.7 kg |
| TRUSYS PFM 35W/4000K W | 4058075290839 | 4000 | 20 | 04 | 90° | ≥80 | -25...+40 | >0.95 | - | 1.7 kg |
| TRUSYS PFM 50W/4000K W | 4058075290853 | 4000 | 20 | 04 | 90° | ≥80 | -25...+40 | >0.95 | - | 1.7 kg |
| TRUSYS PFM 70W/4000K W | 4058075290891 | 4000 | 20 | 04 | 90° | ≥80 | -25...+40 | >0.95 | - | 1.7 kg |
| TRUSYS PFM 35W/4000K N | 4058075398719 | 4000 | 20 | 04 | 60° | ≥80 | -25...+40 | >0.95 | - | 1.7 kg |
| TRUSYS PFM 50W/4000K N | 4058075290945 | 4000 | 20 | 04 | 60° | ≥80 | -25...+40 | >0.95 | - | 1.7 kg |
| TRUSYS PFM 70W/4000K N | 4058075290969 | 4000 | 20 | 04 | 60° | ≥80 | -25...+40 | >0.95 | - | 1.7 kg |
| TRUSYS PFM 35W/4000K VN | 4058075398696 | 4000 | 20 | 04 | 30° | ≥80 | -25...+40 | >0.95 | - | 1.7 kg |
| TRUSYS PFM 50W/4000K VN | 4058075398757 | 4000 | 20 | 04 | 30° | ≥80 | -25...+40 | >0.95 | - | 1.7 kg |
| TRUSYS PFM 70W/4000K VN | 4058075290983 | 4000 | 20 | 04 | 30° | ≥80 | -25...+40 | >0.95 | - | 1.7 kg |
| TRUSYS PFM 35W/4000K DS | 4058075398733 | 4000 | 20 | 04 | 2x30° | ≥80 | -25...+40 | >0.95 | - | 1.7 kg |
| TRUSYS PFM 50W/4000K DS | 4058075398795 | 4000 | 20 | 04 | 2x30° | ≥80 | -25...+40 | >0.95 | - | 1.7 kg |
| TRUSYS PFM 70W/4000K DS | 4058075398832 | 4000 | 20 | 04 | 2x30° | ≥80 | -25...+40 | >0.95 | - | 1.7 kg |
| TRUSYS PFM ENERGY RAIL 1500 5P 1x | 4058075299566 | - | - | 04 | - | - | -25...+40 | - | - | 1.6 kg |
| TRUSYS PFM ENERGY RAIL 1500 5P 10x | 4058075299443 | - | - | 04 | - | - | -25...+40 | - | - | 1.6 kg |
| TRUSYS PFM ENERGY RAIL 1500 5P E 1x | 4058075354753 | - | - | 04 | - | - | -25...+40 | - | - | 1.3 kg |
| TRUSYS PFM ENERGY RAIL 1500 5P E 10x | 4058045299474 | - | - | 04 | - | - | -25...+40 | - | - | 1.3 kg |
| TRUSYS PFM ENERGY RAIL 3000 5P 1x | 4058075354777 | - | - | 04 | - | - | -25...+40 | - | - | 3.3 kg |
| TRUSYS PFM ENERGY RAIL 3000 5P 10x | 4058075299498 | - | - | 04 | - | - | -25...+40 | - | - | 3.3 kg |

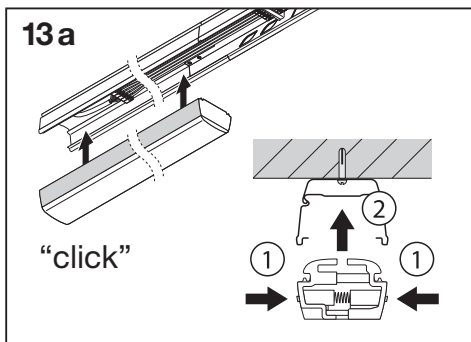
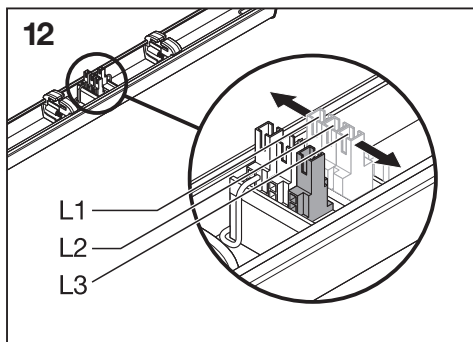
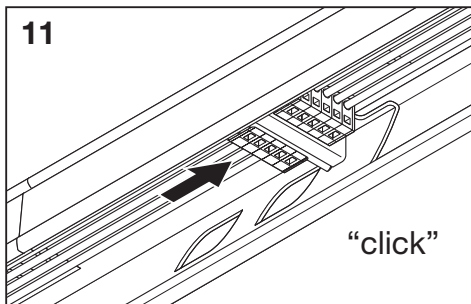
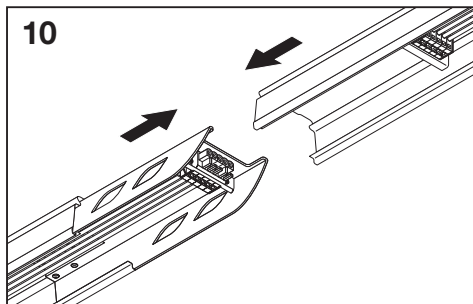
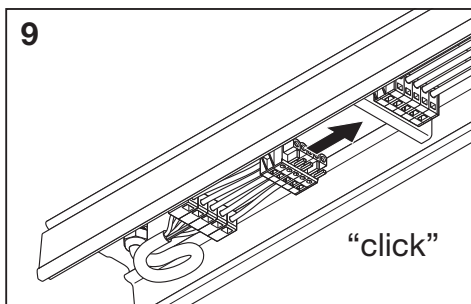
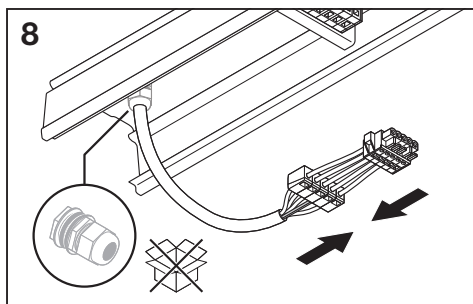
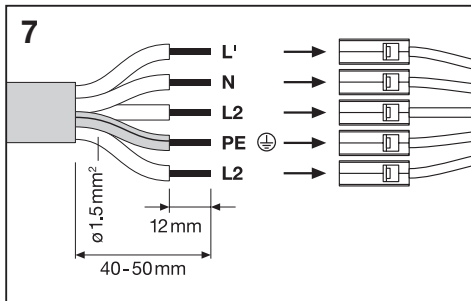
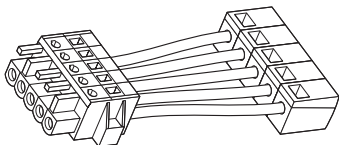


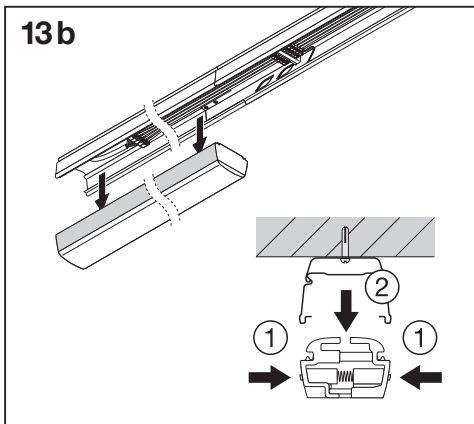
TruSys® PFM
SURFACE CLIP
 EAN 4058075284333



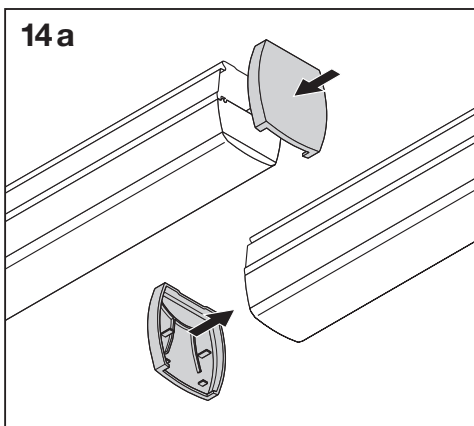
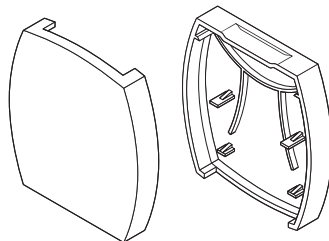


TruSys® PFM
FEED IN 5P
EAN 4058075284623

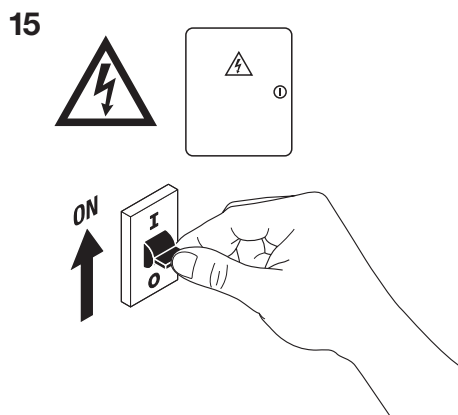
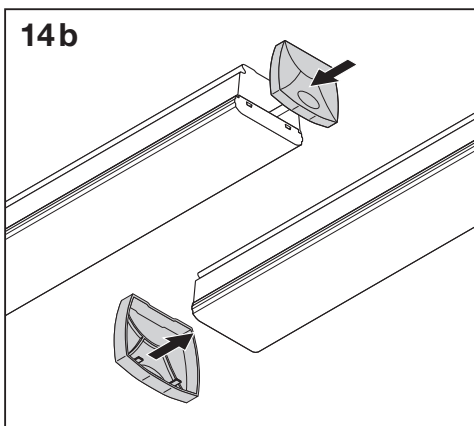
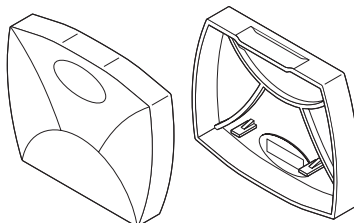




TruSys® PFM
END CAP ENERGY RAIL
EAN 4058075284319

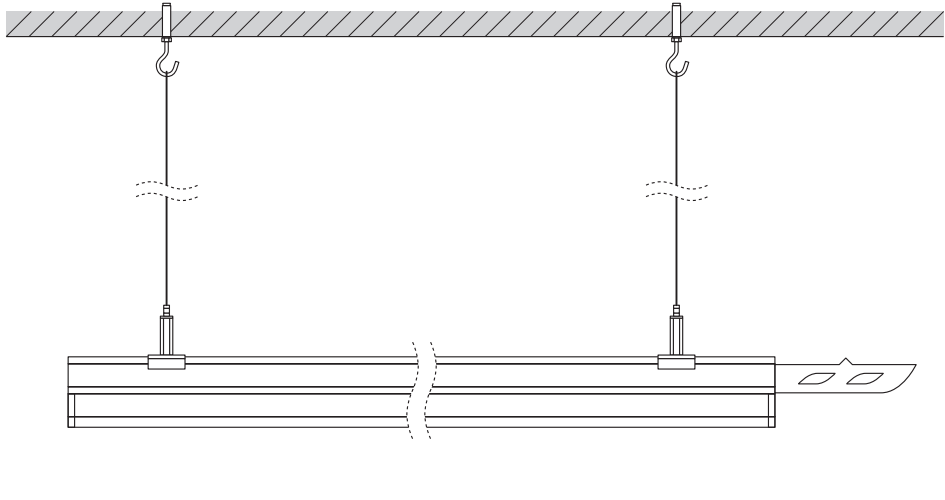
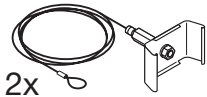


TruSys® PFM
END CAP LOW ENERGY RAIL
EAN 4058075464926



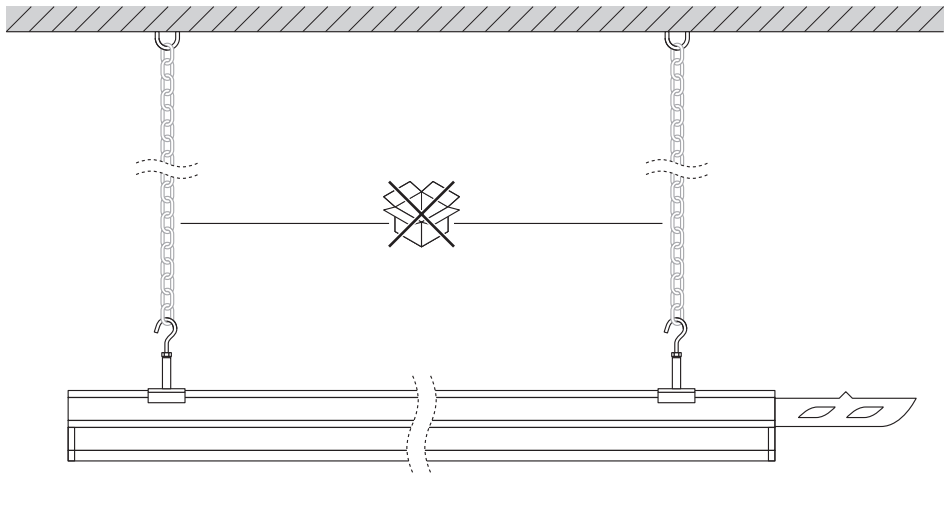
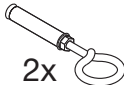
TruSys® PFM SUSPENSION KIT

EAN 4058075284234



TruSys® PFM CHAIN KIT

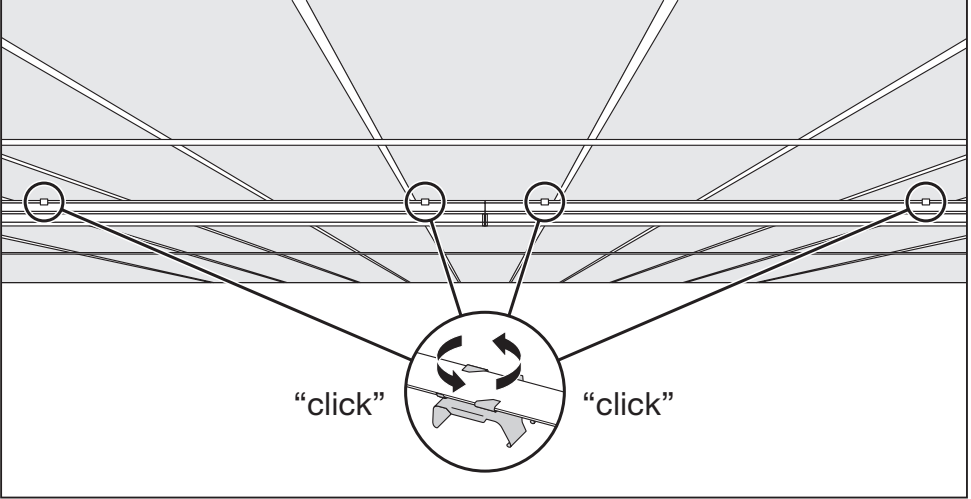
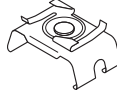
EAN 4058075284258



TruSys® PFM GRID CEILING CLIP

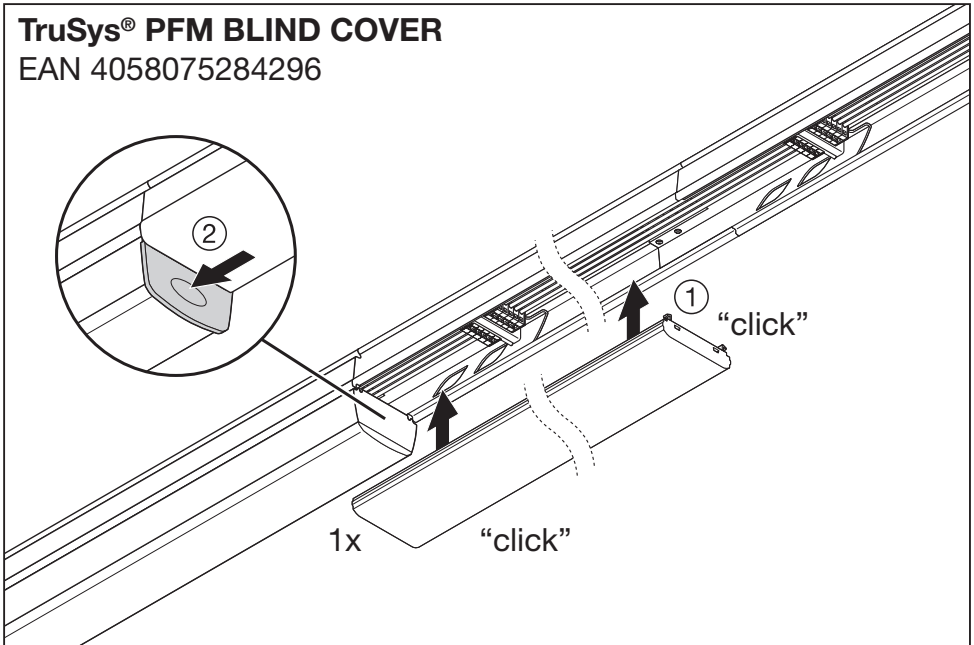
EAN 4058075284609

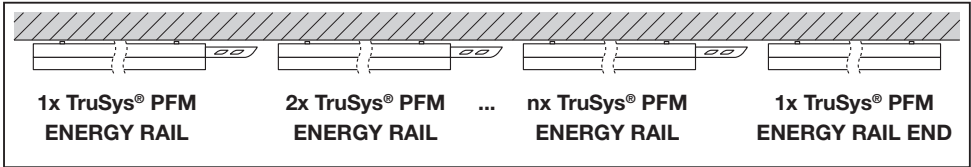
2x

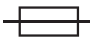


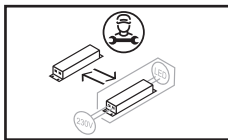
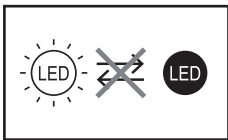
TruSys® PFM BLIND COVER

EAN 4058075284296





|  | C10 A | B16 A | C16 A | Inrush current | Inrush Charge Time Th50 |
|---|-------|-------|-------|----------------|-------------------------|
| TRUSYS PFM 35W/4000K | 12 | 13 | 19 | 25 A | 220 µs |
| TRUSYS PFM 50W/4000K | 8 | 8 | 13 | 30 A | 265 µs |
| TRUSYS PFM 70W/4000K | 5 | 5 | 9 | 32 A | 400 µs |



C10449058
G11093100V2
31.03.21



LEDVANCE GmbH
Steinerne Furt 62
86167 Augsburg, Germany
www.ledvance.com