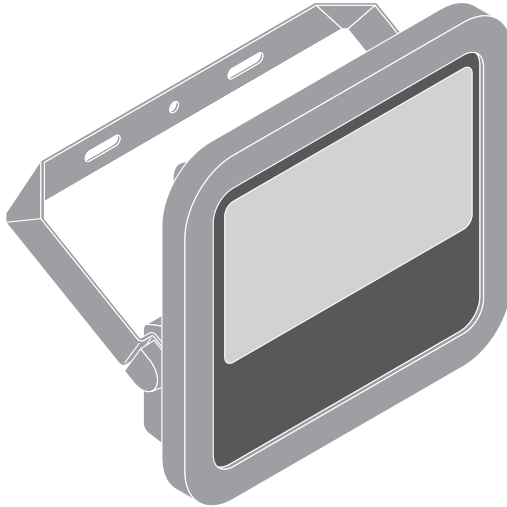


---

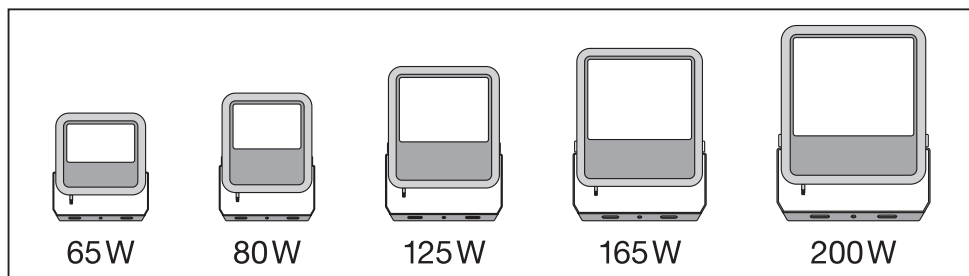
**FLOODLIGHT**


---

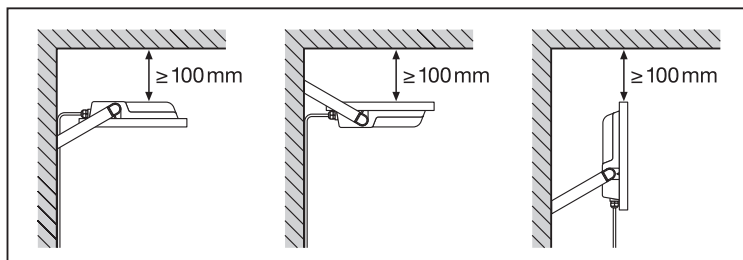
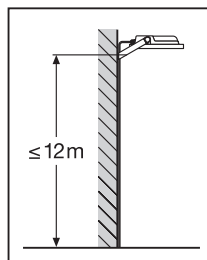
**65 W – 200 W**


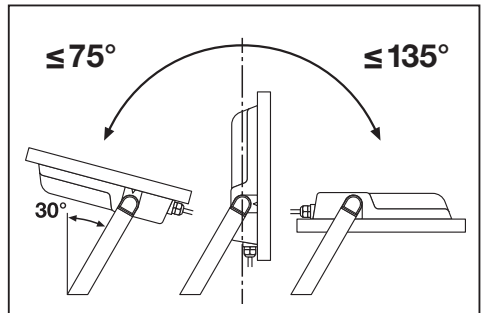
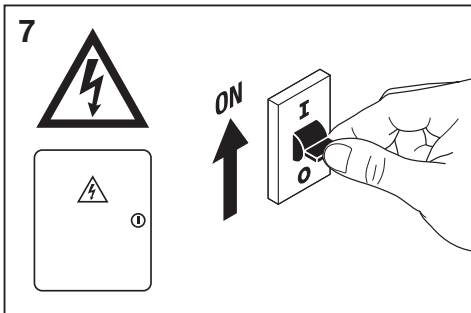
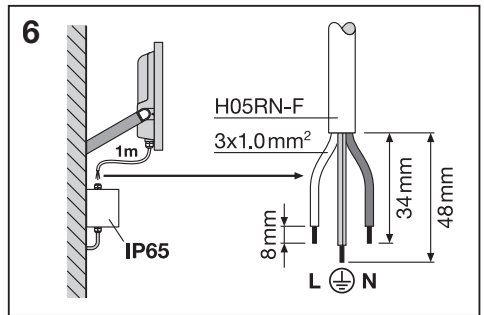
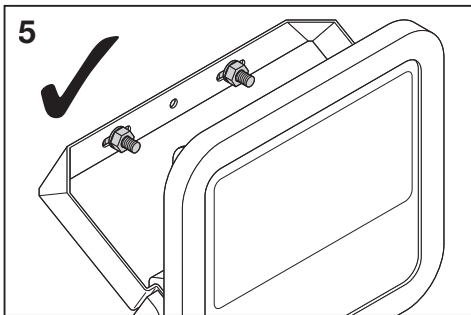
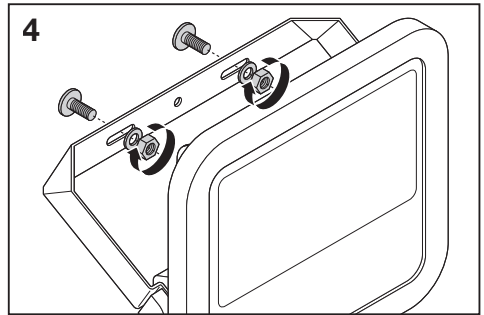
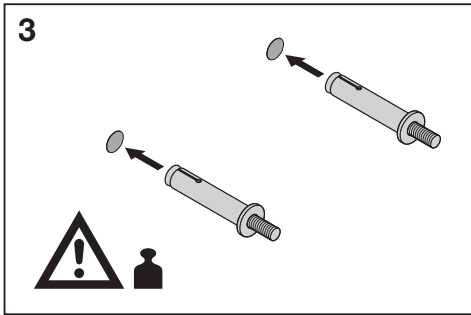
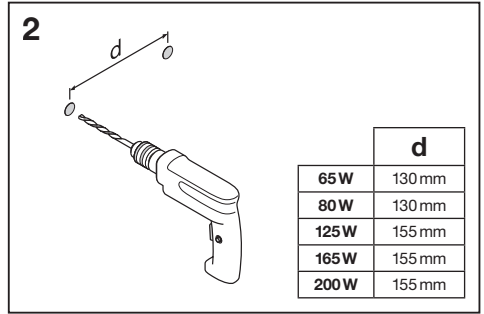
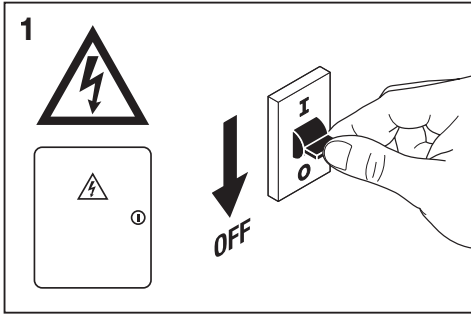
	EAN	l x w x h [mm]	W	V <sub>AC</sub>	Hz	lm	lm/W	K
<b>FL PFM 65W/3000K SYM 100 BK</b>	4058075422445	268x237x49	65	100-277V	50/60Hz	7150	110	3000
<b>FL PFM 65W/4000K SYM 100 BK</b>	4058075422469	268x237x49	65	100-277V	50/60Hz	8000	123	4000
<b>FL PFM 65W/6500K SYM 100 BK</b>	4058075422483	268x237x49	65	100-277V	50/60Hz	8000	123	6500
<b>FL PFM 80W/3000K SYM 100 BK</b>	4058075422506	335x250x55	80	100-277V	50/60Hz	8800	110	3000
<b>FL PFM 80W/4000K SYM 100 BK</b>	4058075422520	335x250x55	80	100-277V	50/60Hz	10000	125	4000
<b>FL PFM 80W/6500K SYM 100 BK</b>	4058075422544	335x250x55	80	100-277V	50/60Hz	10000	125	6500
<b>FL PFM 125W/3000K SYM 100 BK</b>	4058075423695	381x290x59	125	100-277V	50/60Hz	13750	110	3000
<b>FL PFM 125W/4000K SYM 100 BK</b>	4058075423701	381x290x59	125	100-277V	50/60Hz	15000	120	4000
<b>FL PFM 125W/6500K SYM 100 BK</b>	4058075423718	381x290x59	125	100-277V	50/60Hz	15000	120	6500
<b>FL PFM 165W/3000K SYM 100 BK</b>	4058075423725	418x322x60	165	100-277V	50/60Hz	18150	110	3000
<b>FL PFM 165W/4000K SYM 100 BK</b>	4058075423732	418x322x60	165	100-277V	50/60Hz	20000	121	4000
<b>FL PFM 165W/6500K SYM 100 BK</b>	4058075423749	418x322x60	165	100-277V	50/60Hz	20000	121	6500
<b>FL PFM 200W/3000K SYM 100 BK</b>	4058075423756	454x354x62	200	100-277V	50/60Hz	22000	110	3000
<b>FL PFM 200W/4000K SYM 100 BK</b>	4058075423763	454x354x62	200	100-277V	50/60Hz	25000	125	4000
<b>FL PFM 200W/6500K SYM 100 BK</b>	4058075423770	454x354x62	200	100-277V	50/60Hz	25000	125	6500

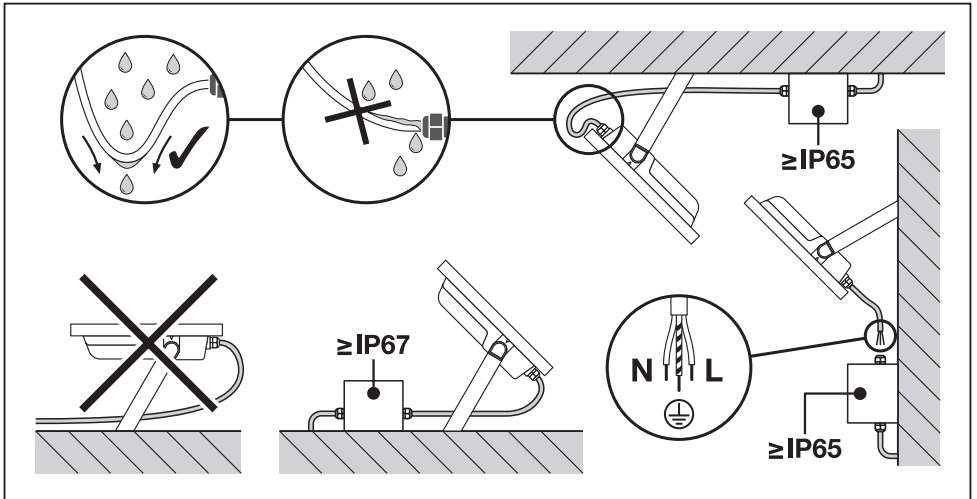
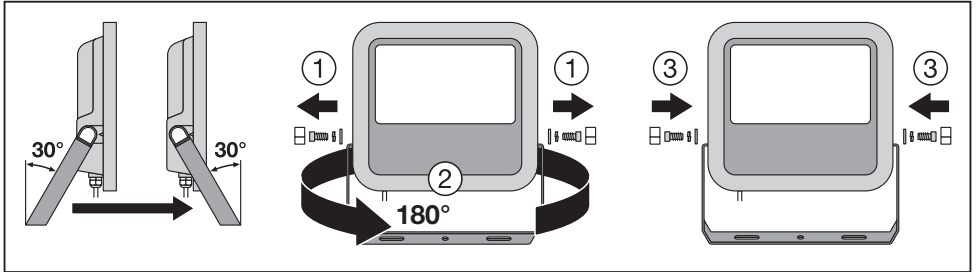
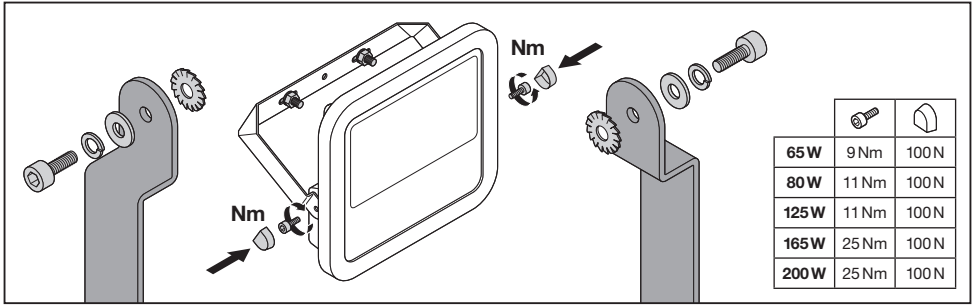
	EAN	IP	IK	∠	R <sub>a</sub>	ΔT (°C)	PF	👤
FL PFM 65W/3000K SYM 100 BK	4058075422445	65	08	100°	≥ 80	-30...+50	> 0.9	2.1 kg
FL PFM 65W/4000K SYM 100 BK	4058075422469	65	08	100°	≥ 80	-30...+50	> 0.9	2.1 kg
FL PFM 65W/6500K SYM 100 BK	4058075422483	65	08	100°	≥ 80	-30...+50	> 0.9	2.1 kg
FL PFM 80W/3000K SYM 100 BK	4058075422506	65	08	100°	≥ 80	-30...+50	> 0.9	2.8 kg
FL PFM 80W/4000K SYM 100 BK	4058075422520	65	08	100°	≥ 80	-30...+50	> 0.9	2.8 kg
FL PFM 80W/6500K SYM 100 BK	4058075422544	65	08	100°	≥ 80	-30...+50	> 0.9	2.8 kg
FL PFM 125W/3000K SYM 100 BK	4058075423695	65	08	100°	≥ 80	-30...+50	> 0.9	3.8 kg
FL PFM 125W/4000K SYM 100 BK	4058075423701	65	08	100°	≥ 80	-30...+50	> 0.9	3.8 kg
FL PFM 125W/6500K SYM 100 BK	4058075423718	65	08	100°	≥ 80	-30...+50	> 0.9	3.8 kg
FL PFM 165W/3000K SYM 100 BK	4058075423725	65	08	100°	≥ 80	-30...+50	> 0.9	4.8 kg
FL PFM 165W/4000K SYM 100 BK	4058075423732	65	08	100°	≥ 80	-30...+50	> 0.9	4.8 kg
FL PFM 165W/6500K SYM 100 BK	4058075423749	65	08	100°	≥ 80	-30...+50	> 0.9	4.8 kg
FL PFM 200W/3000K SYM 100 BK	4058075423756	65	08	100°	≥ 80	-30...+50	> 0.9	6.0 kg
FL PFM 200W/4000K SYM 100 BK	4058075423763	65	08	100°	≥ 80	-30...+50	> 0.9	6.0 kg
FL PFM 200W/6500K SYM 100 BK	4058075423770	65	08	100°	≥ 80	-30...+50	> 0.9	6.0 kg



		A	B	C			230 Vac		
							C10A	B16A	C16A
65W		150	108	8.5	2x M8	0.046 m <sup>2</sup>	21	29	33
80W		150	108	10.5	2x M10	0.061 m <sup>2</sup>	17	24	28
125W		170	118	10.5	2x M10	0.083 m <sup>2</sup>	7	4	11
165W		170	118	12.5	2x M12	0.102 m <sup>2</sup>	5	3	8
200W		170	118	12.5	2x M12	0.124 m <sup>2</sup>	5	3	8







C10449057  
G11150378  
13.09.22



LEDVANCE GmbH  
Steinerne Furt 62  
86167 Augsburg, Germany  
[www.ledvance.com](http://www.ledvance.com)

© LEDVANCE Ltd, Aquila House  
Delta Crescent, Westbrook, Warrington  
WA5 7NR, United Kingdom