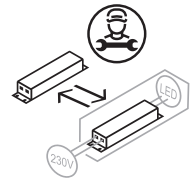
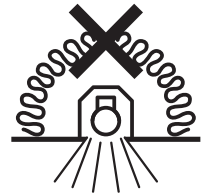
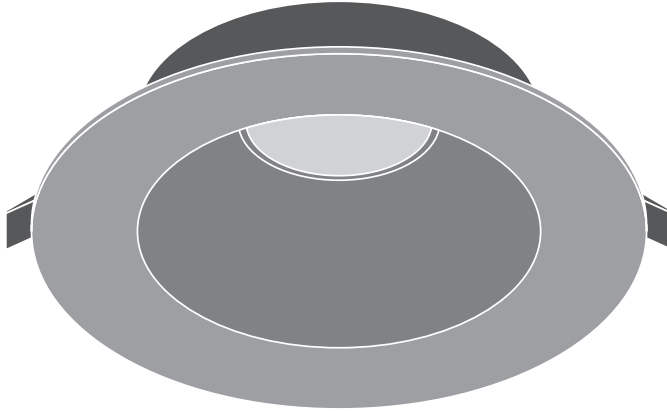
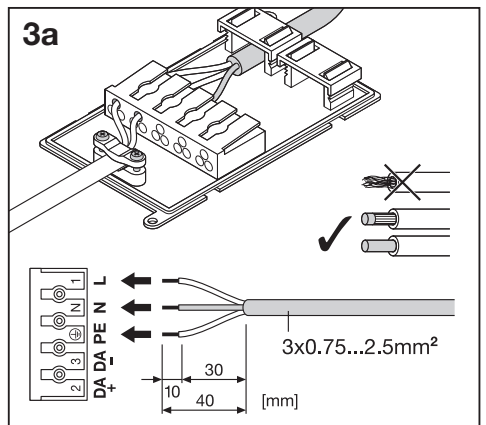
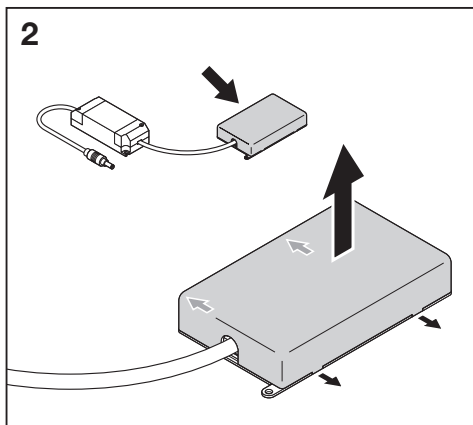
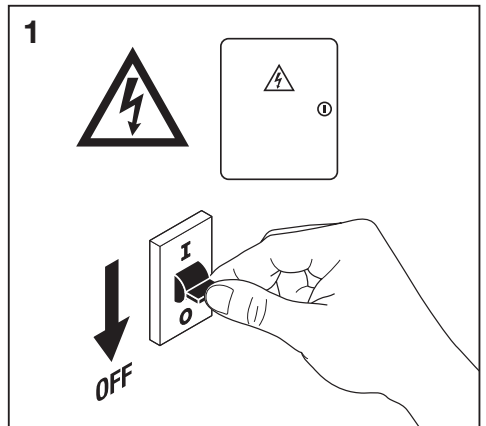
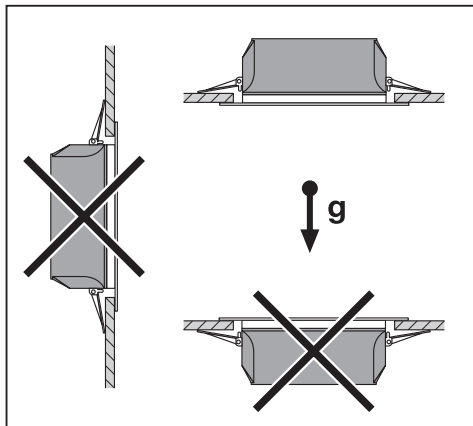
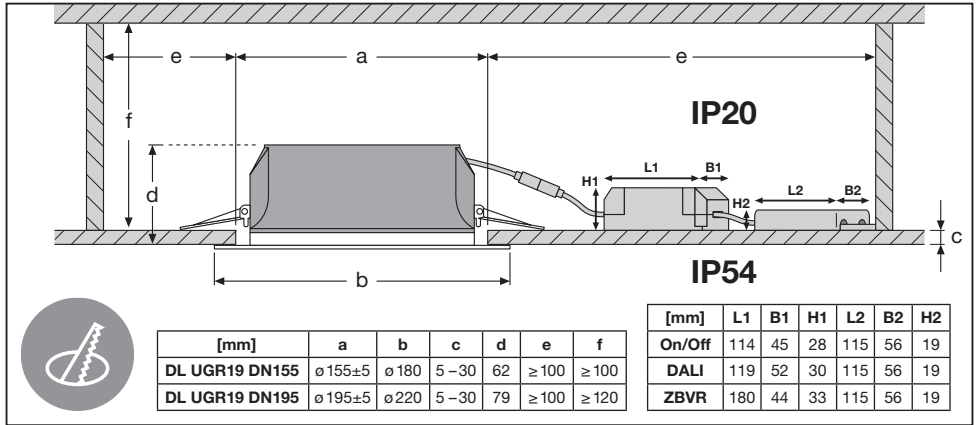


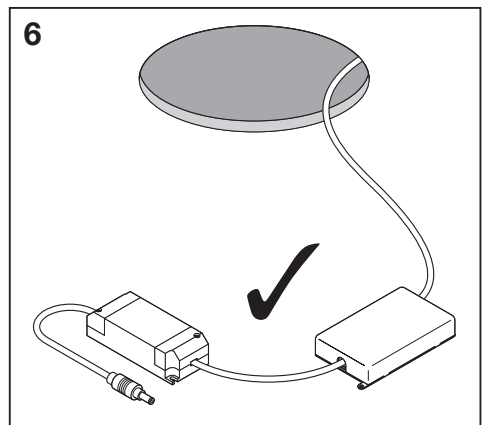
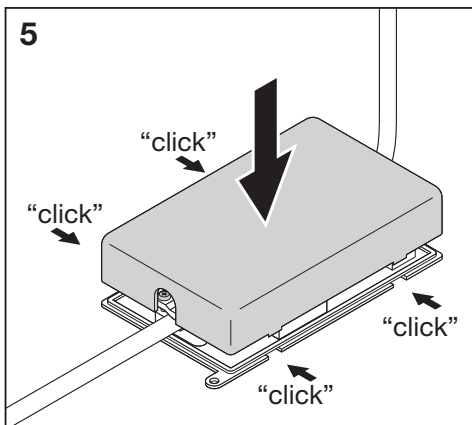
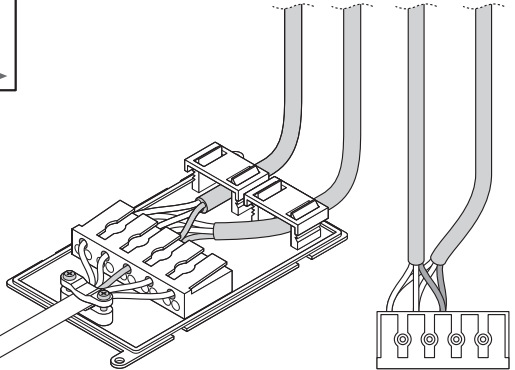
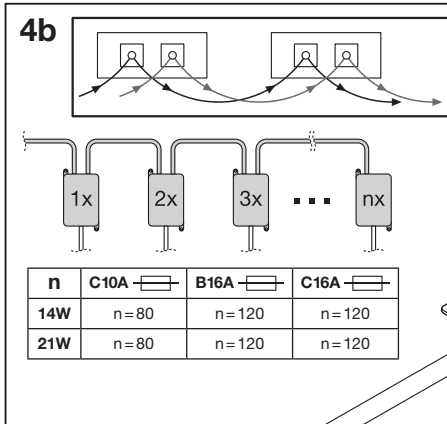
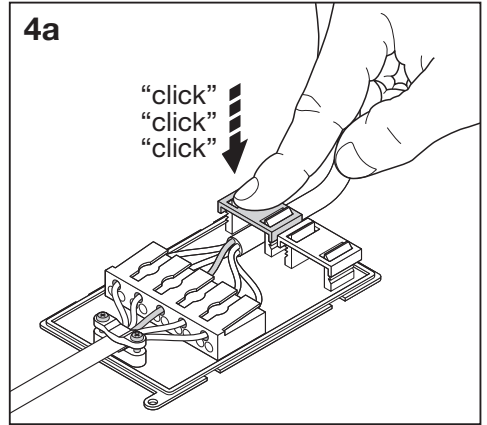
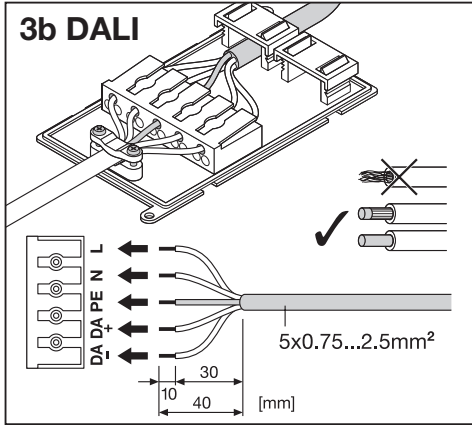
DOWNLIGHT UGR19

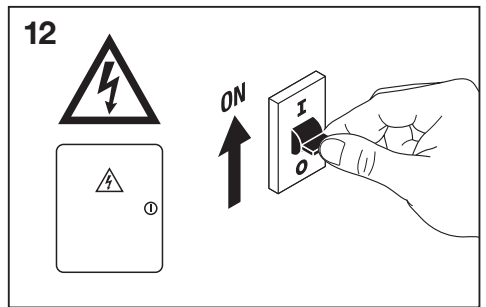
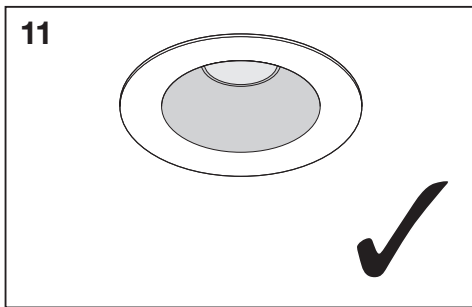
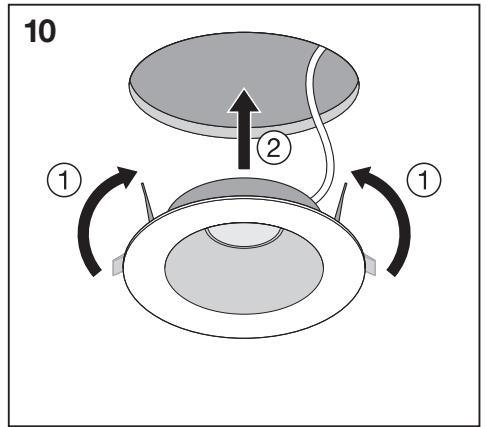
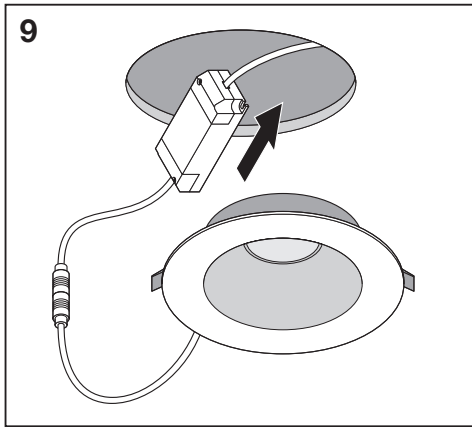
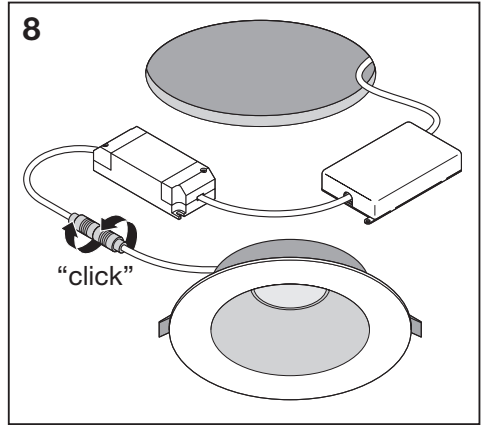
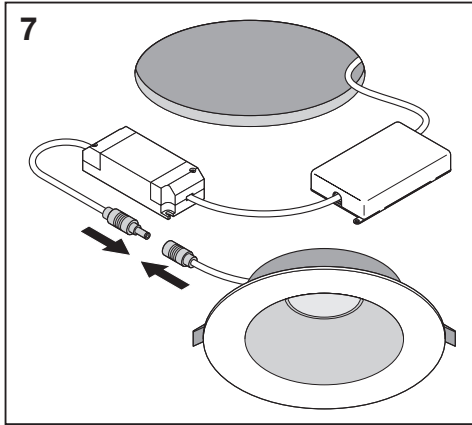


	EAN	Ø x h [mm]	W	VAC	Hz	lm	lm/W	K
DL UGR19 DN155 PFM 14W/830 WT IP54	4058075459137	180x65	14	220-240	50/60	1500	105	3000
DL UGR19 DN155 PFM 14W/840 WT IP54	4058075459151	180x65	14	220-240	50/60	1600	115	4000
DL UGR19 DN195 PFM 21W/830 WT IP54	4058075459250	220x82	21	220-240	50/60	2400	115	3000
DL UGR19 DN195 PFM 21W/840 WT IP54	4058075459274	220x82	21	220-240	50/60	2520	120	4000
DL UGR19 DN155 PFM 14W/830 DALI WT	4058075459298	180x65	14	220-240	0/50/60	1500	105	3000
DL UGR19 DN155 PFM 14W/840 DALI WT	4058075459311	180x65	14	220-240	0/50/60	1600	115	4000
DL UGR19 DN195 PFM 21W/830 DALI WT	4058075459830	220x82	21	220-240	0/50/60	2400	115	3000
DL UGR19 DN195 PFM 21W/840 DALI WT	4058075459854	220x82	21	220-240	0/50/60	2520	120	4000
DL UGR19 DN155 PFM 14W/840 ZBVR WT	4058075459892	180x65	14	220-240	50/60	1600	115	4000
DL UGR19 DN195 PFM 21W/840 ZBVR WT	4058075459397	220x82	21	220-240	50/60	2520	120	4000

	EAN	IP	IK	∠	R _a	Temp (°C)	PF	⚖️
DL UGR19 DN155 PFM 14W/830 WT IP54	4058075459137	54/20	03	65°	≥ 80	-20...+45	≥ 0.9	0.7 kg
DL UGR19 DN155 PFM 14W/840 WT IP54	4058075459151	54/20	03	65°	≥ 80	-20...+45	≥ 0.9	0.7 kg
DL UGR19 DN195 PFM 21W/830 WT IP54	4058075459250	54/20	03	65°	≥ 80	-20...+45	≥ 0.9	0.9 kg
DL UGR19 DN195 PFM 21W/840 WT IP54	4058075459274	54/20	03	65°	≥ 80	-20...+45	≥ 0.9	0.9 kg
DL UGR19 DN155 PFM 14W/830 DALI WT	4058075459298	54/20	03	65°	≥ 80	-20...+45	≥ 0.9	0.7 kg
DL UGR19 DN155 PFM 14W/840 DALI WT	4058075459311	54/20	03	65°	≥ 80	-20...+45	≥ 0.9	0.7 kg
DL UGR19 DN195 PFM 21W/830 DALI WT	4058075459830	54/20	03	65°	≥ 80	-20...+45	≥ 0.9	0.9 kg
DL UGR19 DN195 PFM 21W/840 DALI WT	4058075459854	54/20	03	65°	≥ 80	-20...+45	≥ 0.9	0.9 kg
DL UGR19 DN155 PFM 14W/840 ZBVR WT	4058075459892	54/20	03	65°	≥ 80	-20...+45	≥ 0.9	0.7 kg
DL UGR19 DN195 PFM 21W/840 ZBVR WT	4058075459397	54/20	03	65°	≥ 80	-20...+45	≥ 0.9	0.9 kg







CE UK ENEC

FR

Cet appareil se recycle

À DÉPOSER EN MAGASIN

OU

À DÉPOSER EN DÉCHÈTERIE

Points de collecte sur www.quefairedemesdechets.fr

LEDVANCE GmbH
Steinerne Furt 62
86167 Augsburg, Germany
www.ledvance.com

FR

© LEDVANCE Ltd, Aquila House
Delta Crescent, Westbrook, Warrington
WA5 7NR, United Kingdom

C10449057
G11142793
05.05.22