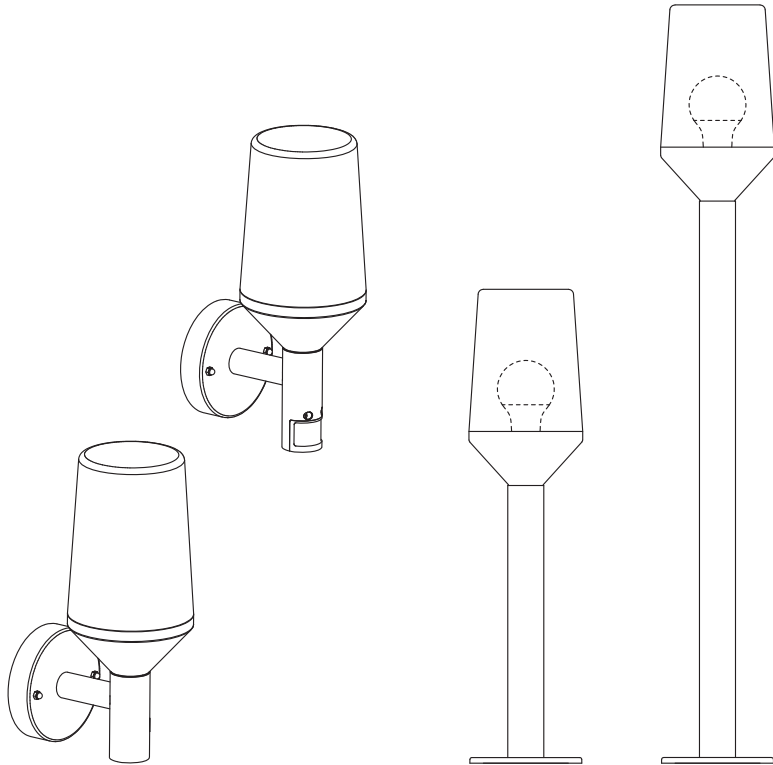



ENDURA® CLASSIC





| | EAN | W | ⊖ (°C) | V~ | Hz |
|-------------------------------------|---------------|---------|-----------|---------|-------|
| ENDURA CLASSIC CALICE WALL E27 ST | 4058075477957 | max. 60 | -20...+40 | 220-240 | 50/60 |
| ENDURA CLASSIC CALICE WALL S E27 ST | 4058075477971 | max. 60 | -20...+40 | 220-240 | 50/60 |
| ENDURA CLASSIC CALICE 50CM E27 ST | 4058075477995 | max. 60 | -20...+40 | 220-240 | 50/60 |
| ENDURA CLASSIC CALICE 80CM E27 ST | 4058075478015 | max. 60 | -20...+40 | 220-240 | 50/60 |

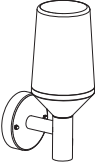


1x

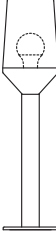



900 g
 4058075477957


980 g
 4058075477995

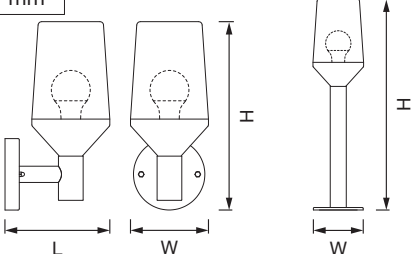

950 g
 4058075477971


1100 g
 4058075478015


 2x 
 2x 


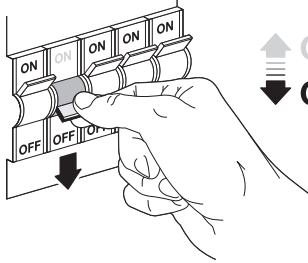

 3x 
 3x 

mm



| | L | W | H |
|--------------------|-----|-----|-----|
| CALICE WALL | 161 | 120 | 290 |
| CALICE WALL SENSOR | 161 | 120 | 305 |
| CALICE 50CM POST | 120 | 120 | 500 |
| CALICE 80CM POST | 120 | 120 | 800 |

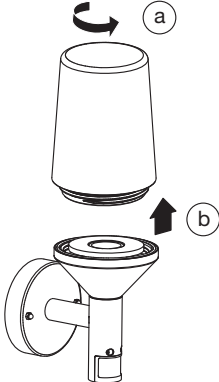
1

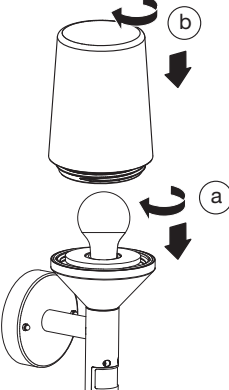
↑ ON

↓ OFF

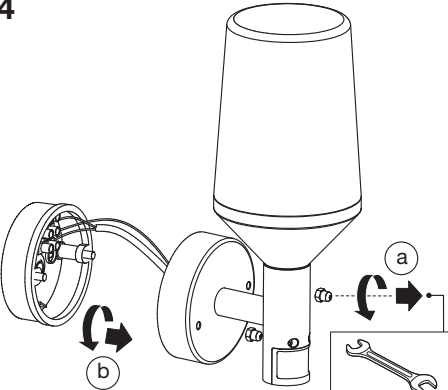
2

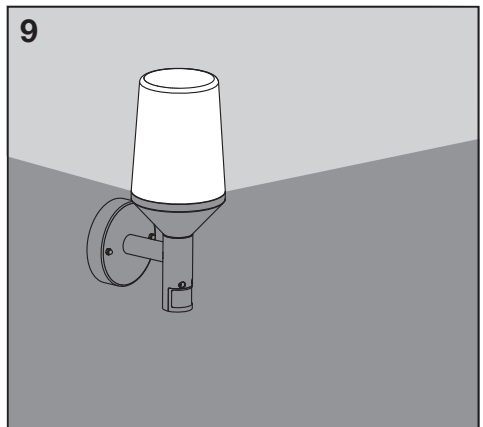
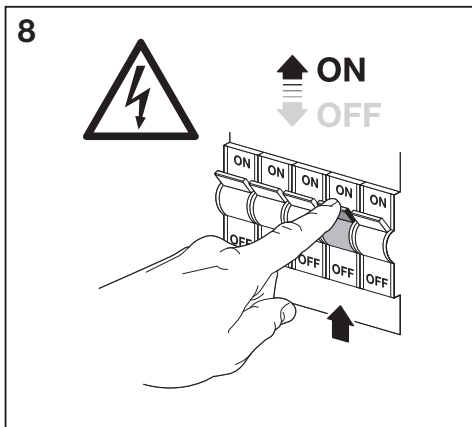
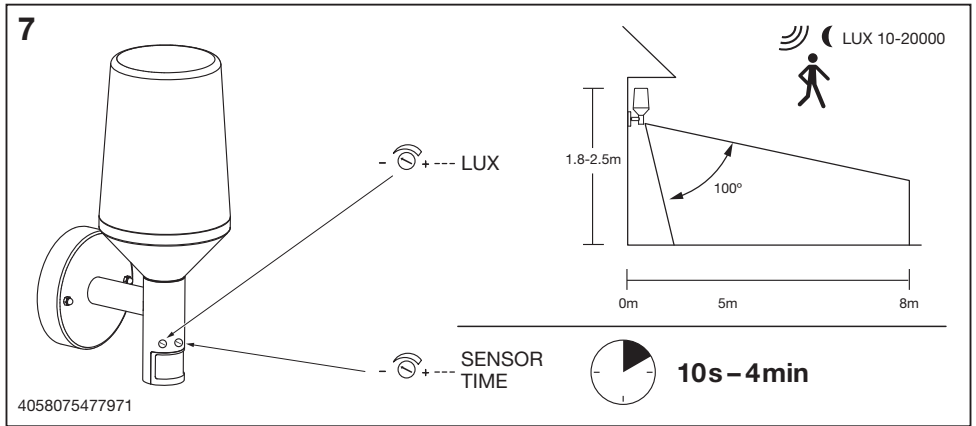
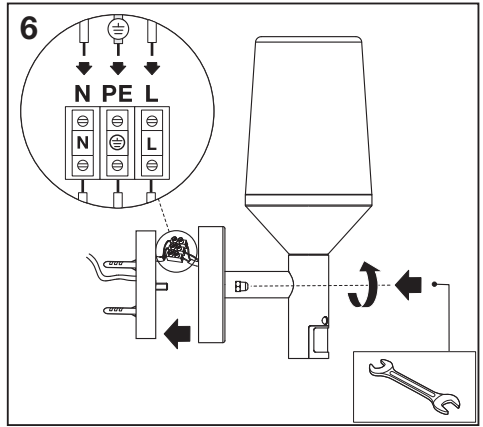
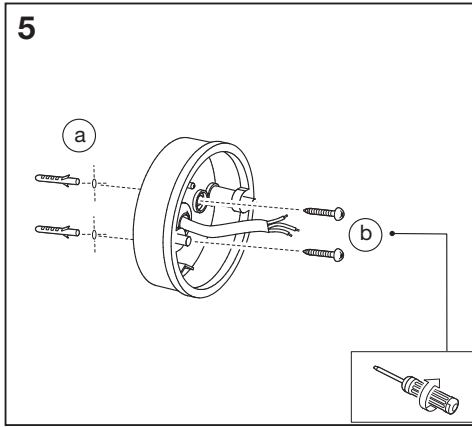


3



4







CE EAC



IP44 RoHS

C10449057
G11100695
14.07.2020



LEDVANCE GmbH
Steinerne Furt 62
86167 Augsburg, Germany
www.ledvance.com