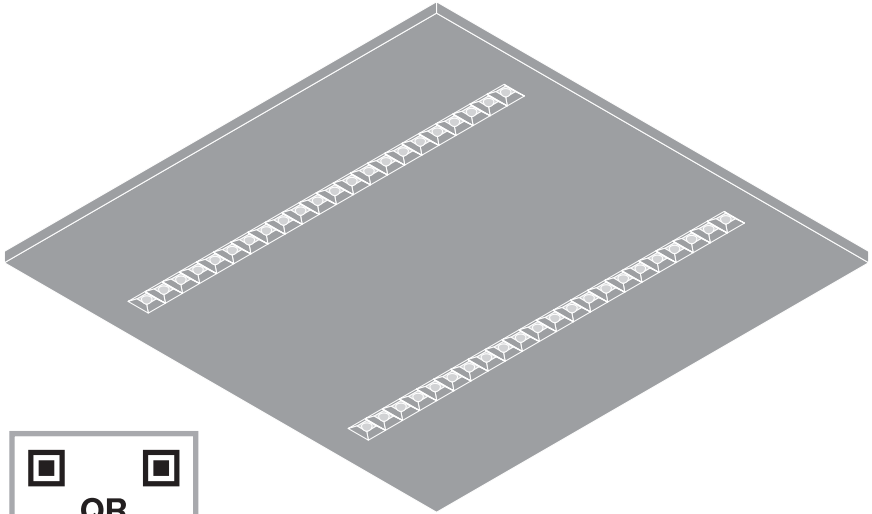
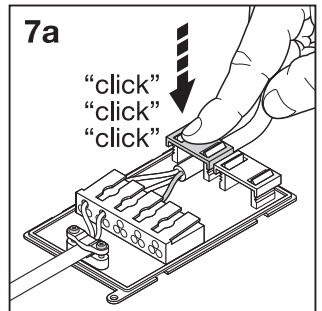
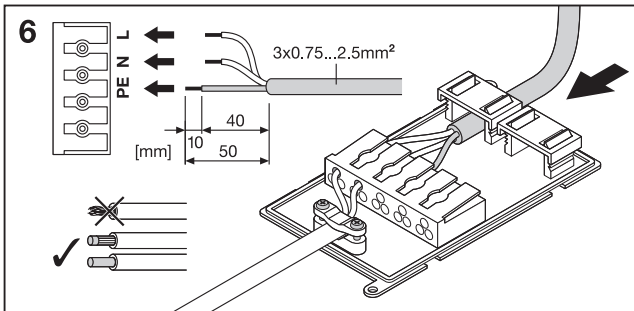
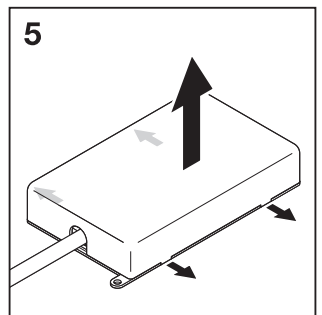
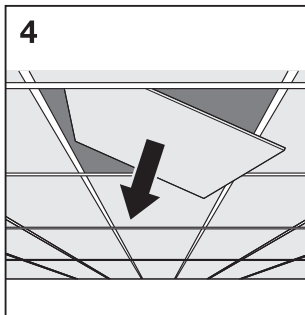
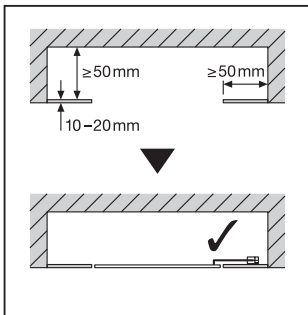
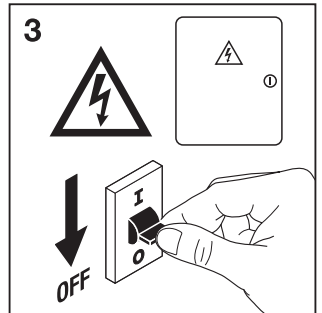
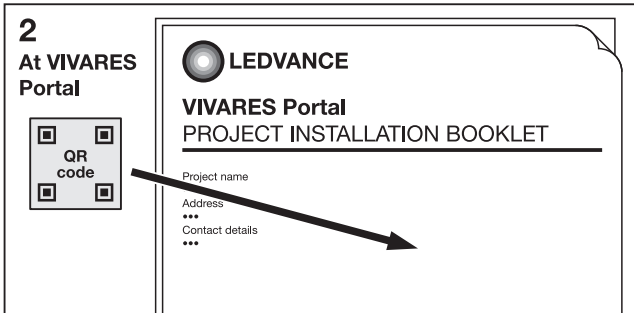
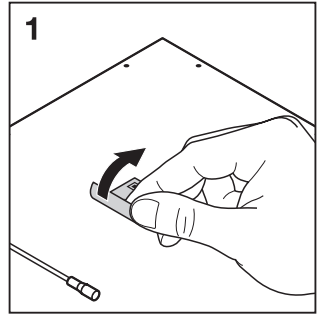
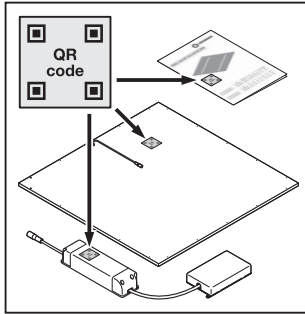
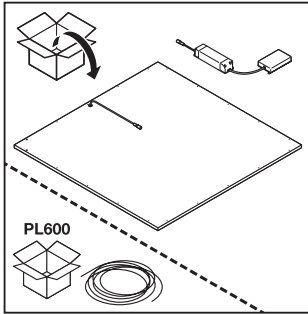
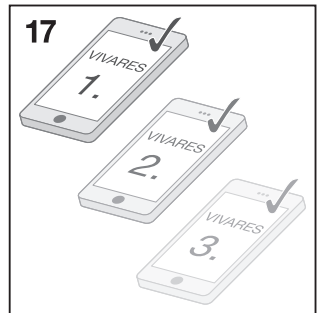
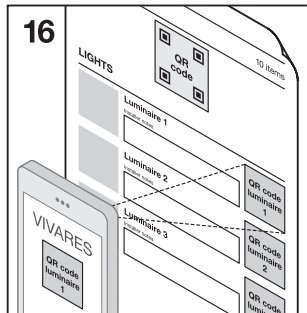
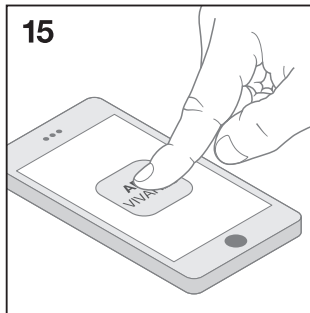
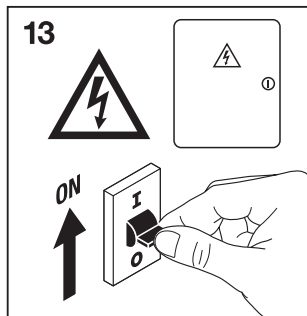
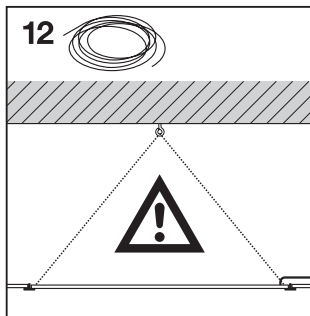
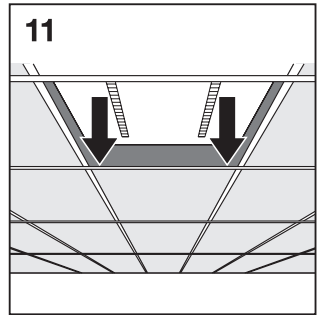
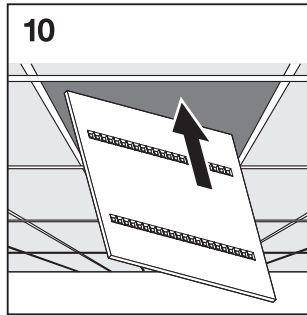
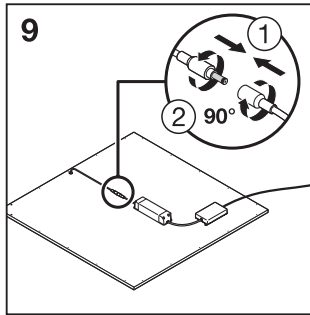
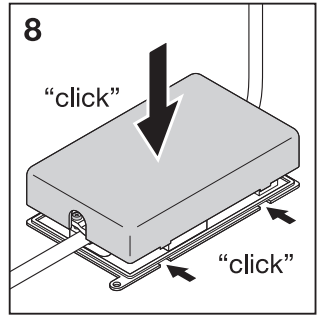
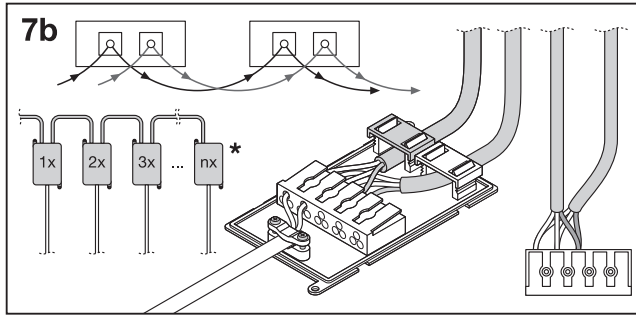

PANEL IndiviLED® 600/625 ZBVR



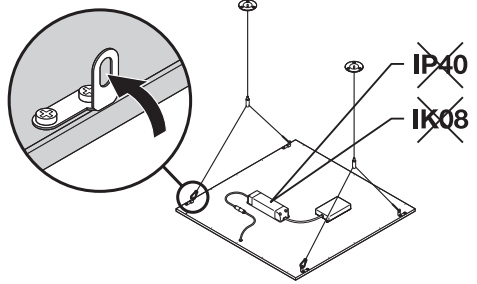
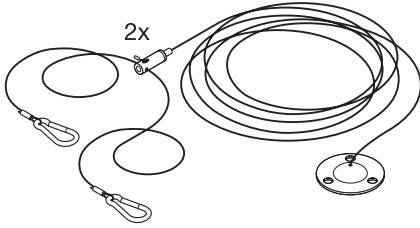
	EAN	l x w x h [mm]	W	V _{AC}	Hz	I _m	I _m /W
PL INDV 600 33W/4000K ZBVR	4058075521841	595 x 595 x 13	33	220-240	50/60	4000	120
PL INDV 625 33W/4000K ZBVR	4058075521865	620 x 620 x 13	33	220-240	50/60	4000	120

	EAN	K	IP	IK	∠	R _a	⊖ (°C)	PF	👤
PL INDV 600 33W/4000K ZBVR	4058075521841	4000	40	08	70°	>80	-20...+45	≥0.9	3.5 kg
PL INDV 625 33W/4000K ZBVR	4058075521865	4000	40	08	70°	>80	-20...+45	≥0.9	3.6 kg

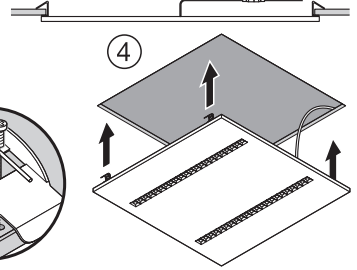
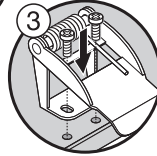
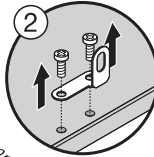
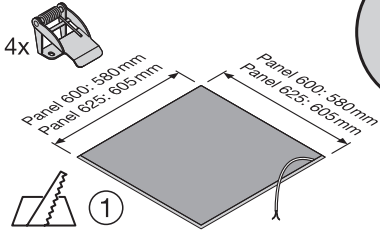




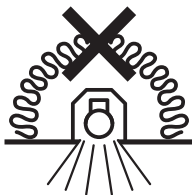
SUSPENSION KIT
EAN 4058075402928



RECESSED MOUNT CLIPS VALUE
EAN 4058075409859



	*C10A	*B16A	*C16A	ZigBee driver	I _{OUT} [mA]	ZigBee DIM
PL INDV 600 33W/4000K ZBVR	n = 10	n = 11	n = 16	LC ZB 44/220-240/ PLINDV600	850	✓
PL INDV 625 33W/4000K ZBVR	n = 10	n = 11	n = 16	LC ZB 44/220-240/ PLINDV625	850	✓



RoHS

C10449057
 G11102789
 18.08.20



LEDVANCE GmbH
 Steinerne Furt 62
 86167 Augsburg, Germany
www.ledvance.com