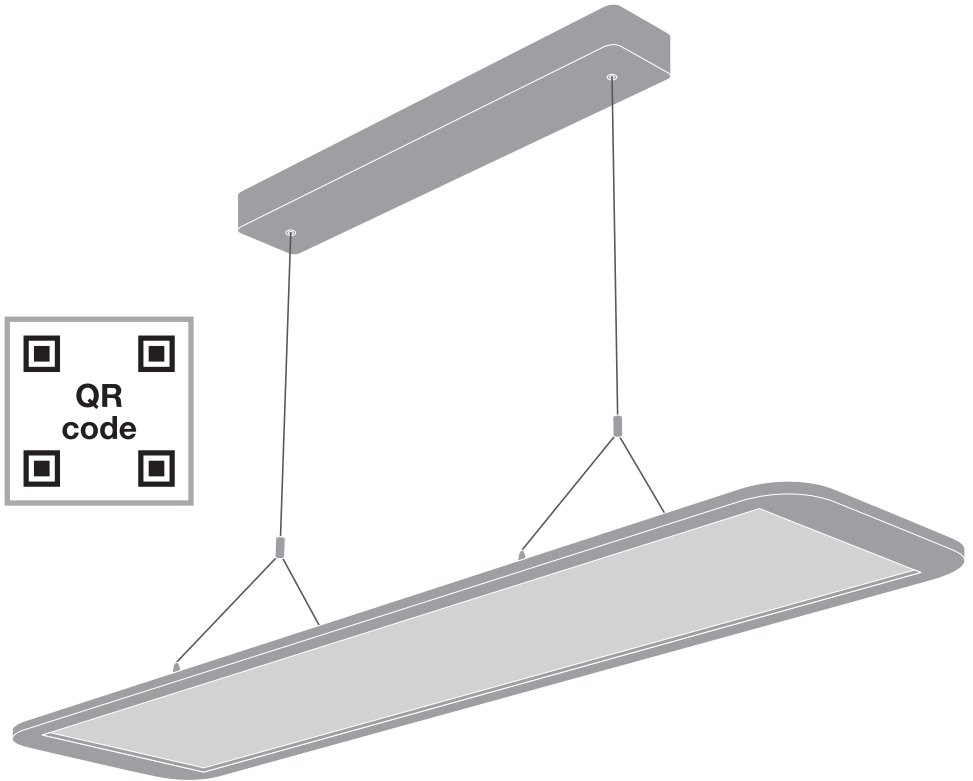
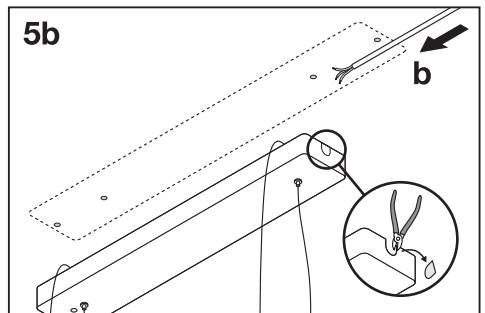
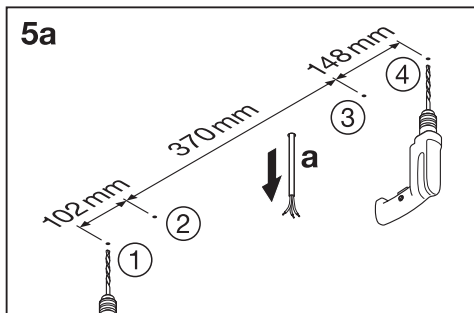
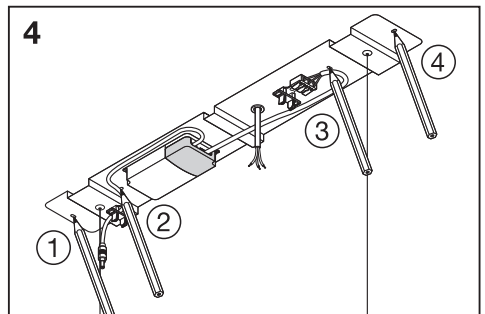
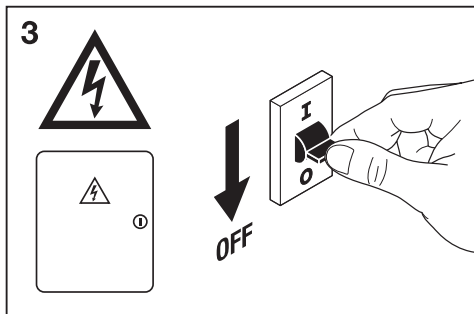
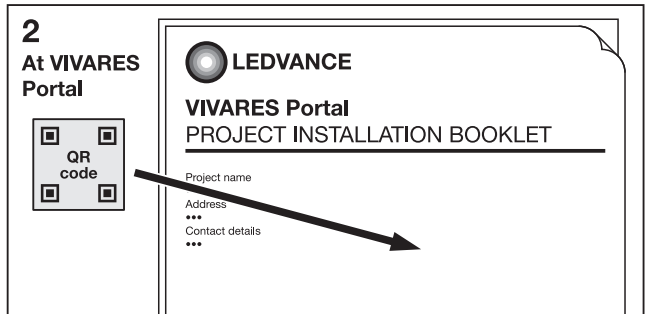
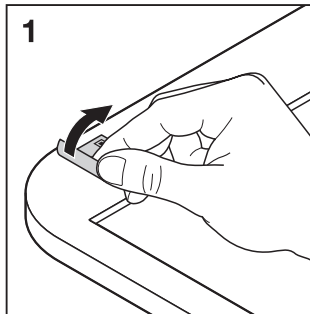
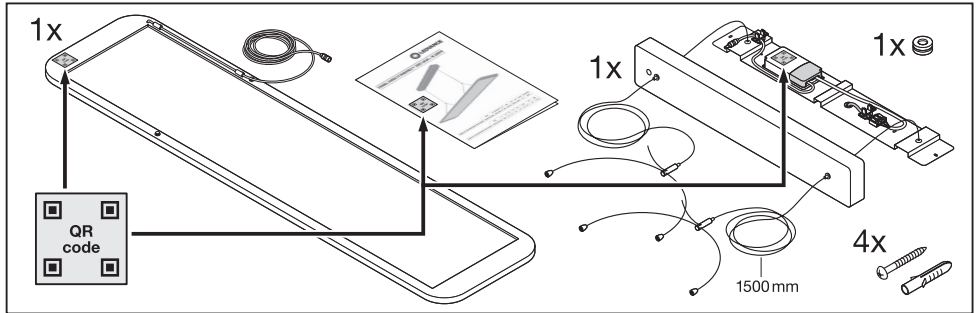
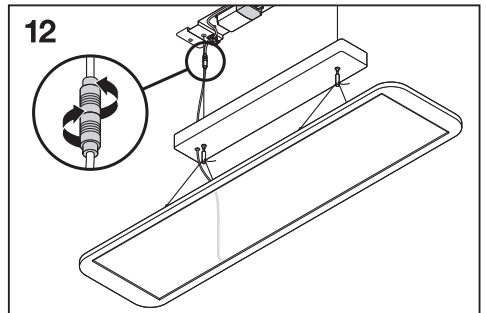
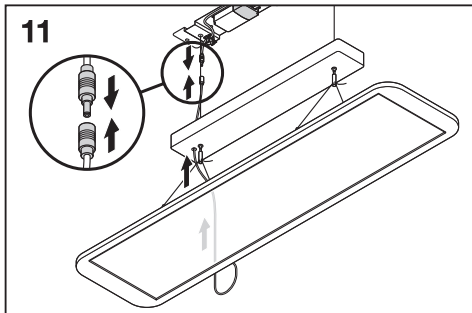
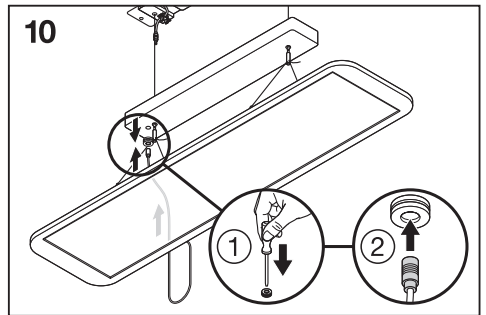
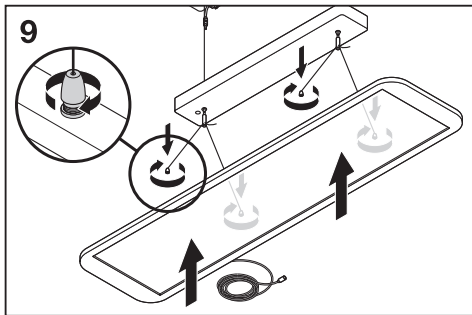
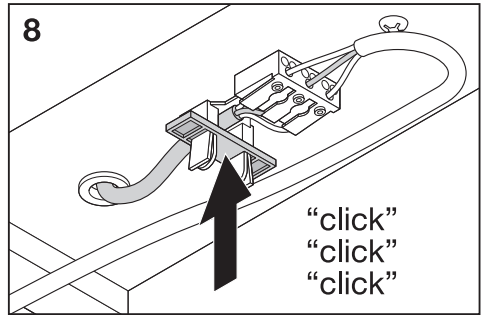
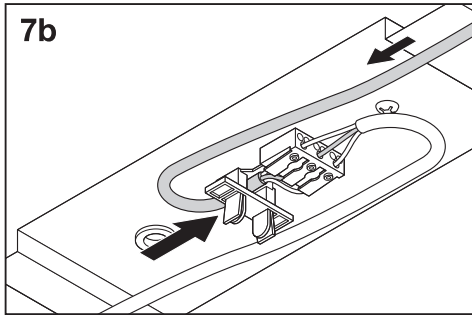
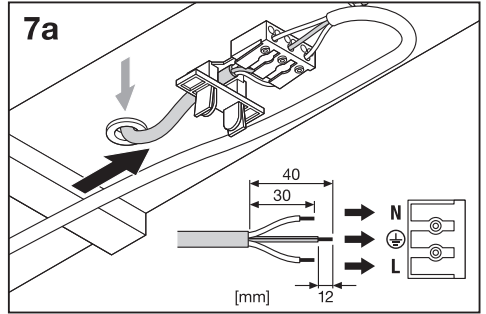
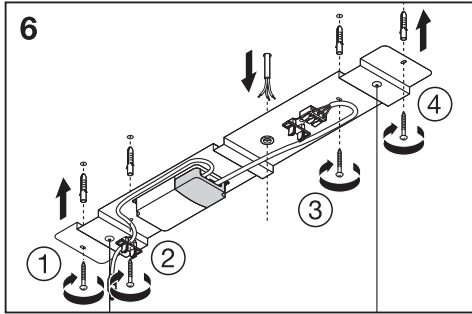

PANEL DIRECT/INDIRECT 1200 UGR < 19 ZBVR

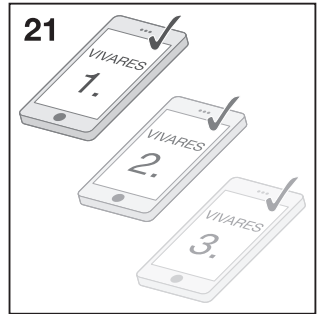
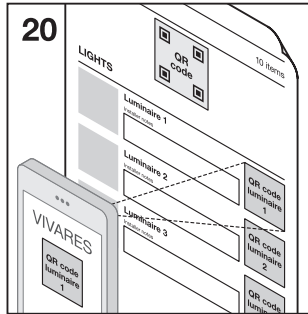
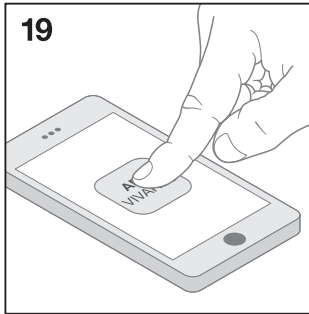
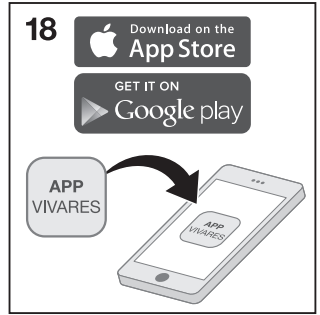
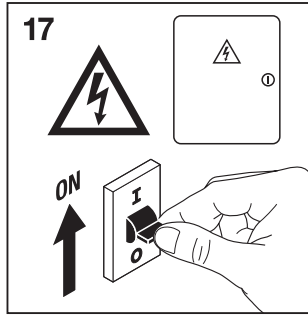
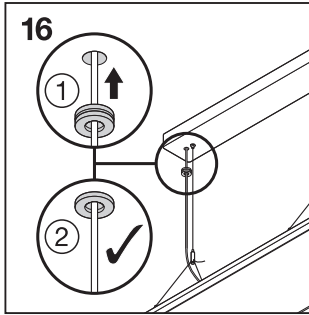
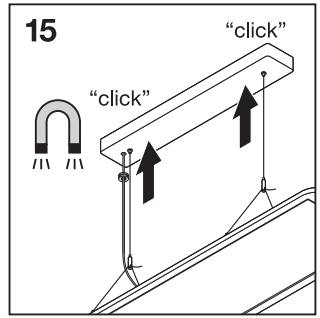
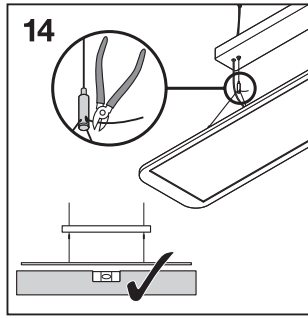
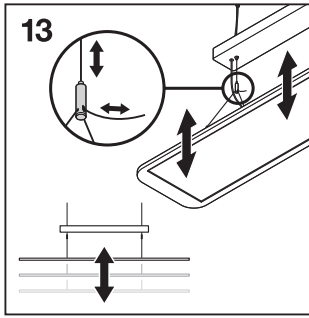


	EAN	l x w x h [mm]	W	V _{AC}	Hz	lm	lm/W
PANEL D/I 1200 36W/4000K UGR 19 ZBVR	4058075521889	1200x300x16	36	220-240	50/60	4000	110

	EAN	K	IP	IK	∠	R _a	° (°C)	PF	👤
PANEL D/I 1200 36W/4000K UGR 19 ZBVR	4058075521889	4000	20	03	110°	> 80	-20...+45	≥ 0.9	3.5 kg







	*C10A	*B16A	*C16A	ZigBee driver	lout [mA]	ZigBee DIM
PANEL D/I 1200 36W/4000K UGR 19 ZBVR	n = 10	n = 11	n = 16	LC ZB 44/ 220-240/ P D/I 1200	800	



C10449057
G11102791
28.08.20



LEDVANCE GmbH
Steinerne Furt 62
86167 Augsburg, Germany
www.ledvance.com