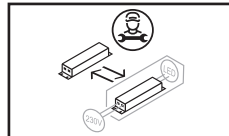
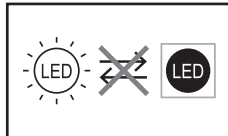
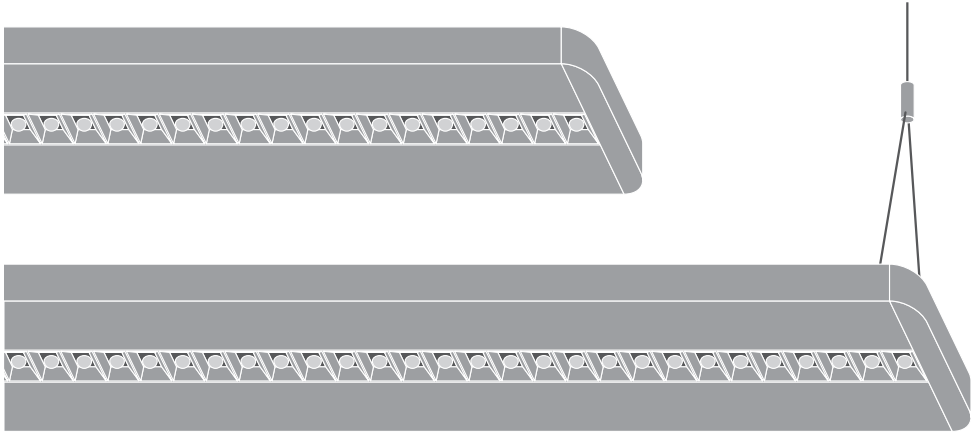
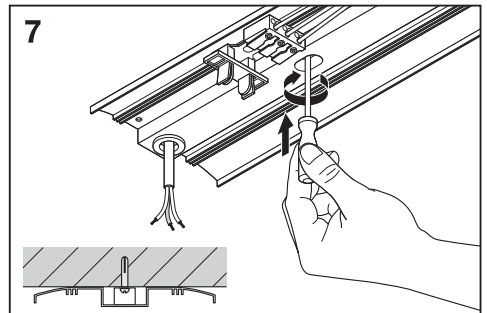
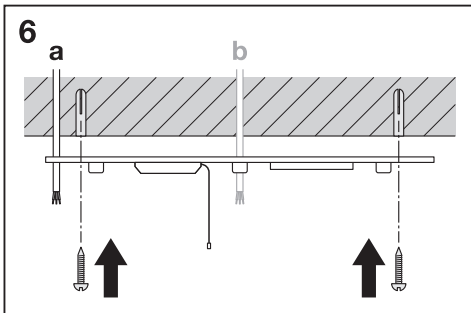
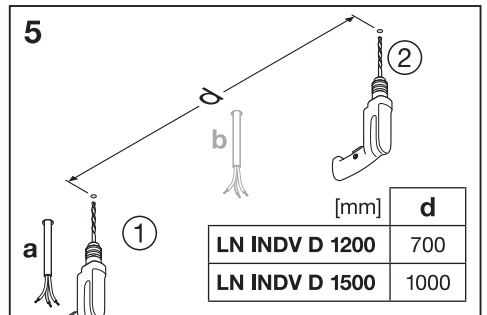
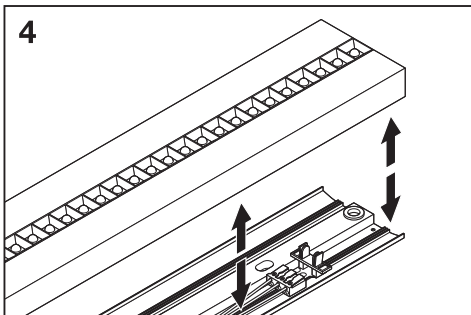
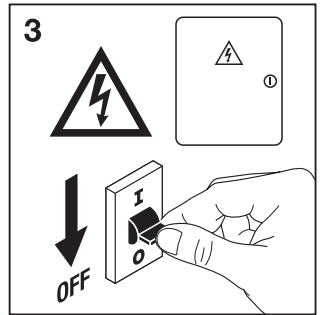
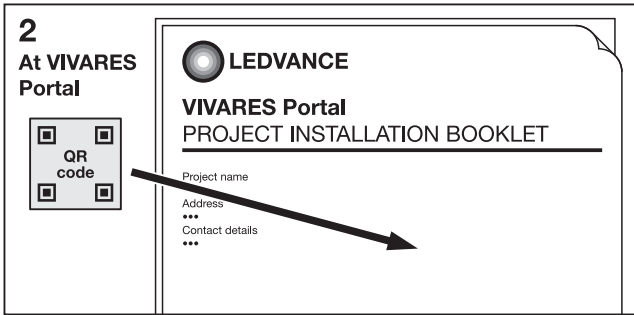
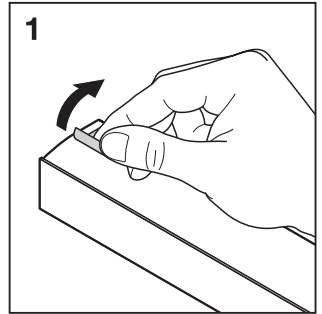
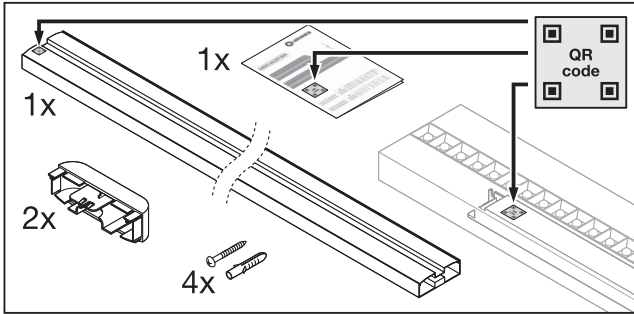
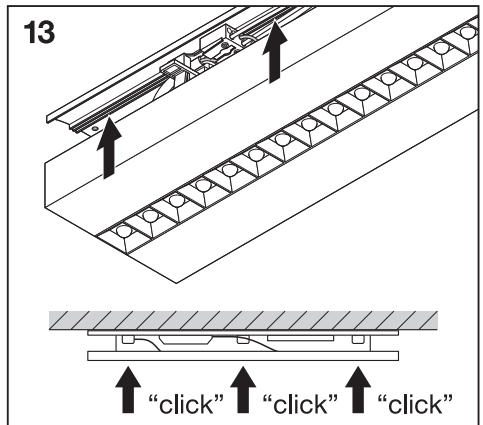
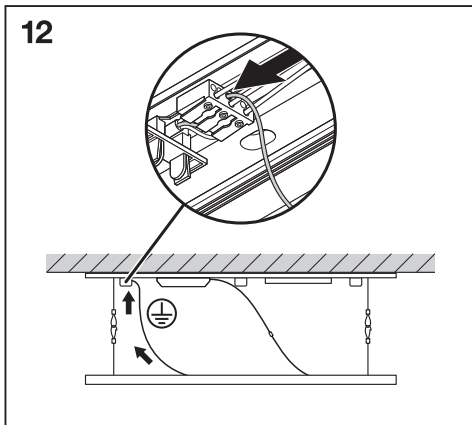
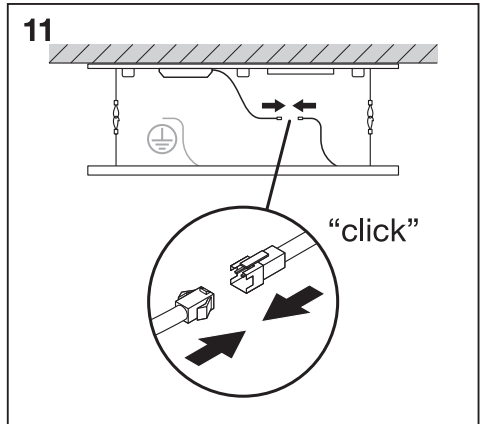
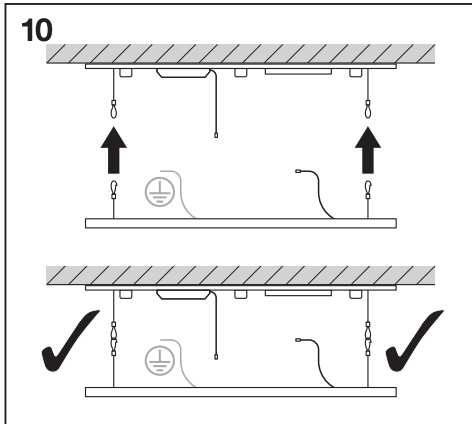
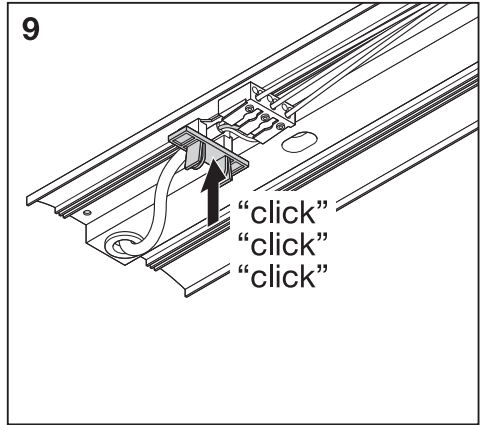
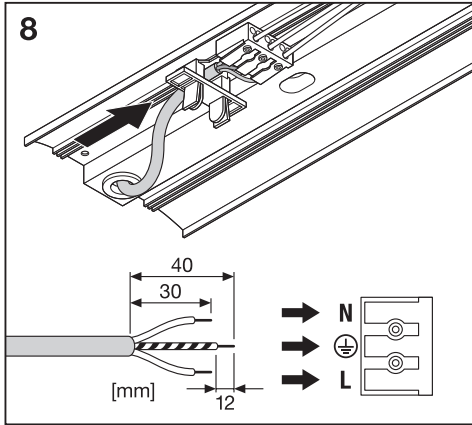

LINEAR IndiviLED® DIRECT ZBVR

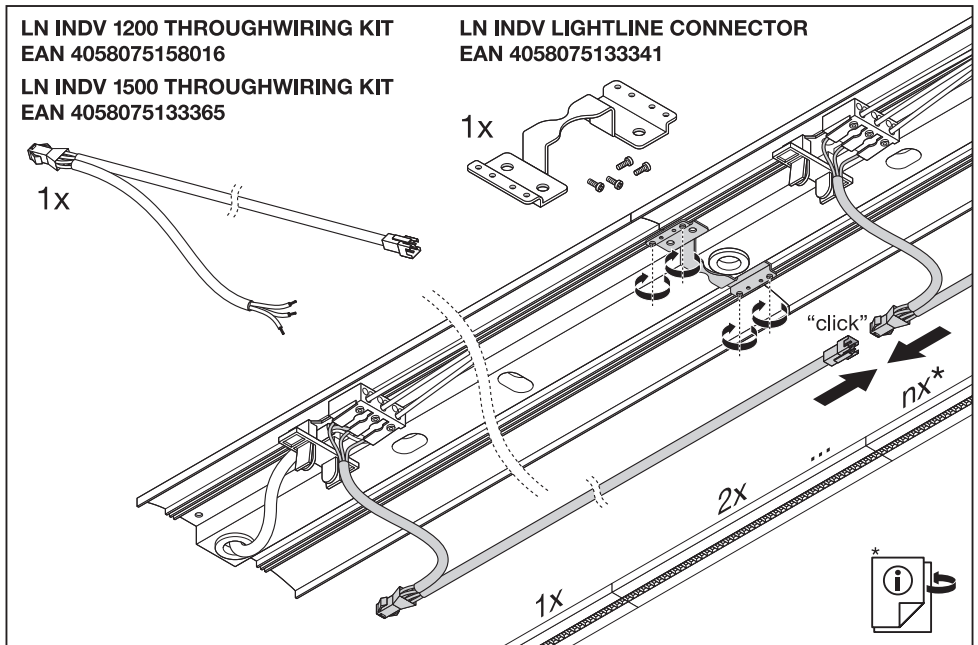
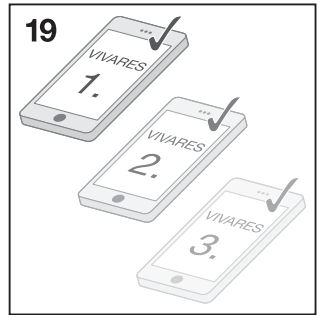
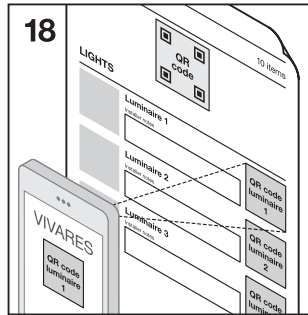
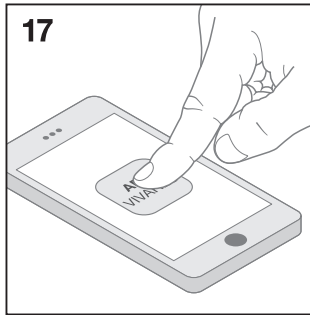
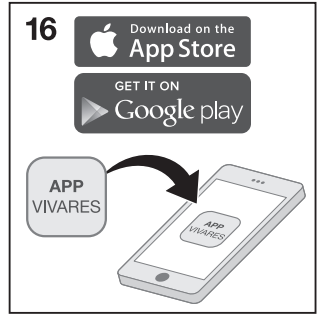
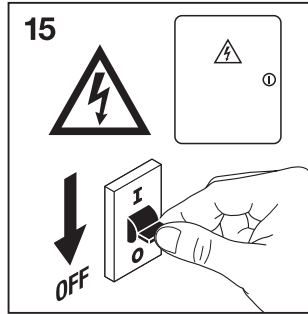
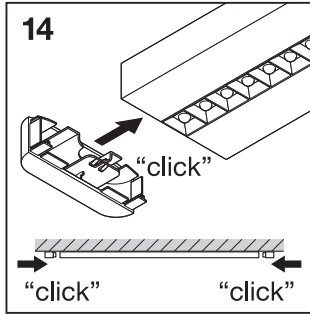


	EAN	l x w x h [mm]	W	V _{AC}	Hz	l _m	l _m /W
LN INDV D 1200 34W/4000K ZBVR	4058075521902	1199 x 120 x 40	34	220-240	50/60	4200	125
LN INDV D 1500 48W/4000K ZBVR	4058075521926	1488 x 120 x 40	48	220-240	50/60	5700	120

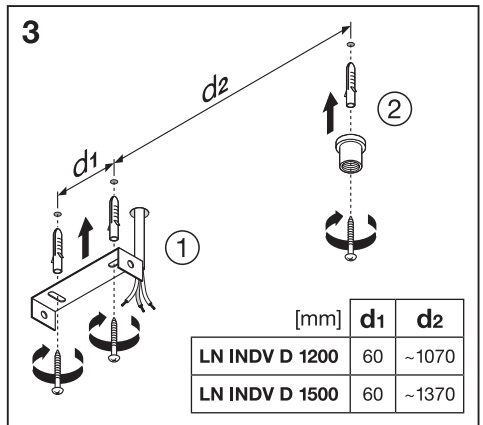
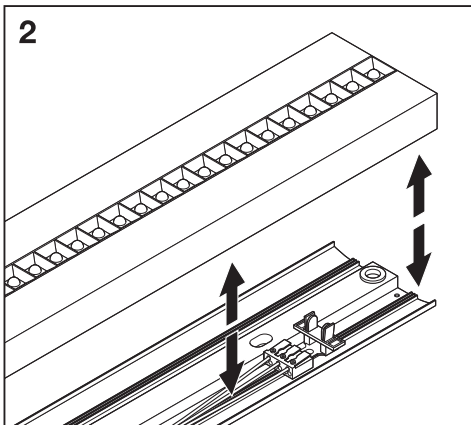
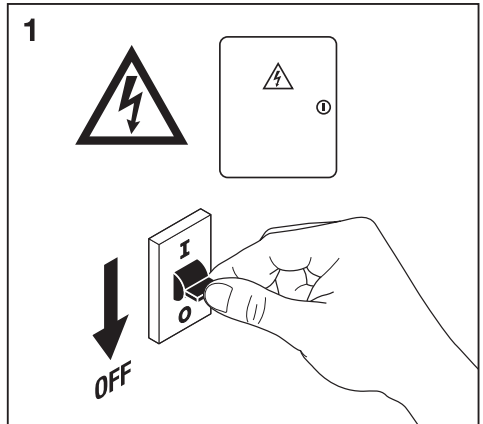
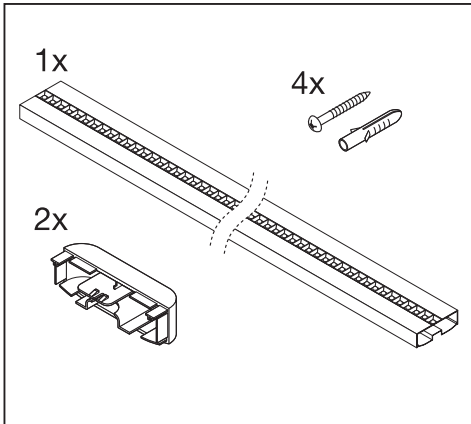
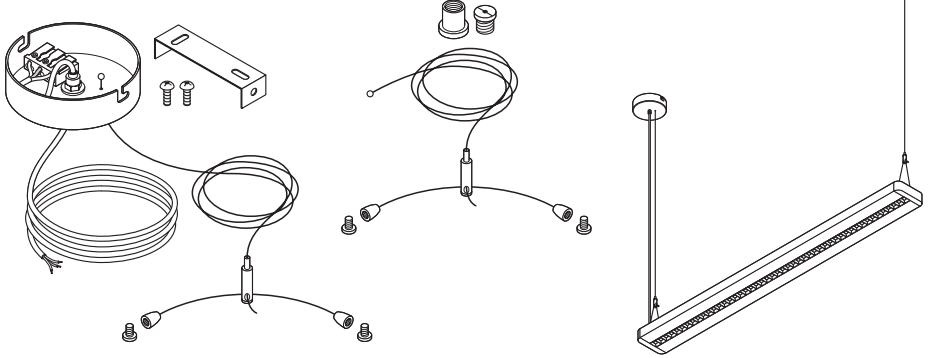
	EAN	K	IP	IK	∇	R _a	⊖ (°C)	PF	👤
LN INDV D 1200 34W/4000K ZBVR	4058075521902	4000	20	06	70°	>80	-25...+45	≥0.9	2.5 kg
LN INDV D 1500 48W/4000K ZBVR	4058075521926	4000	20	06	70°	>80	-25...+45	≥0.9	3.2 kg

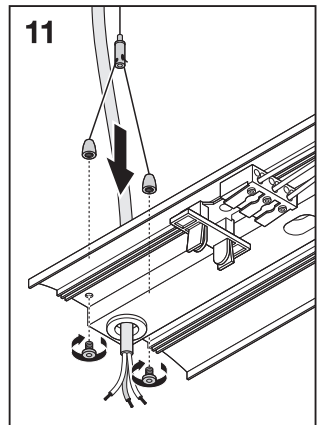
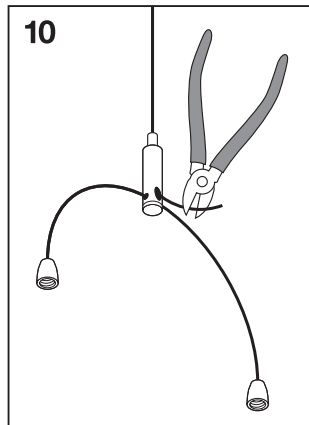
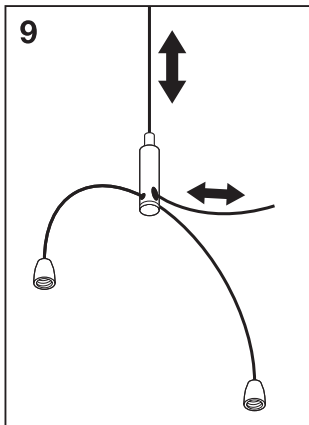
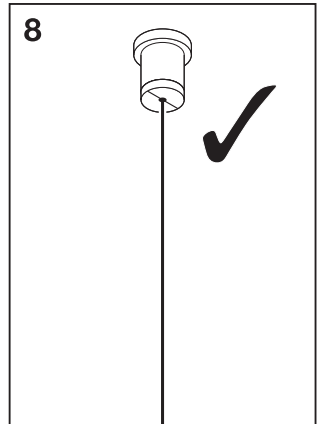
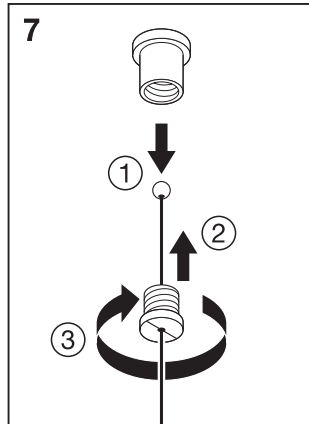
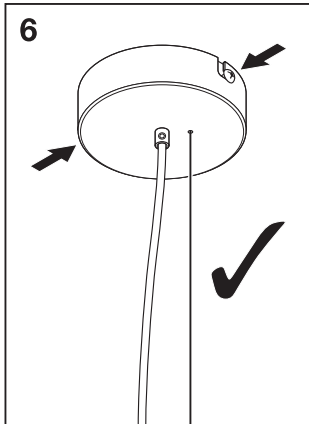
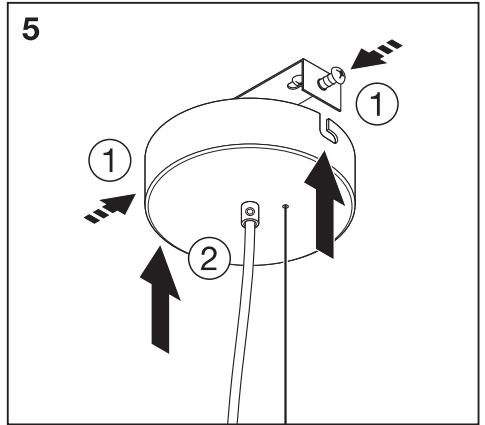
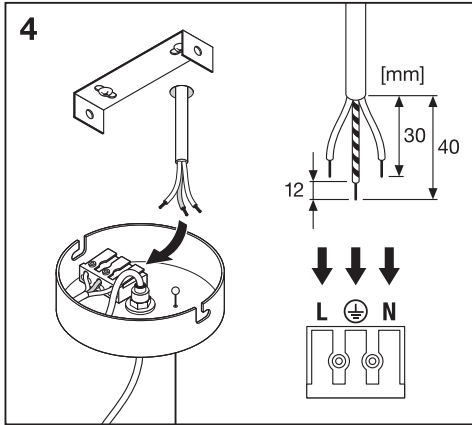


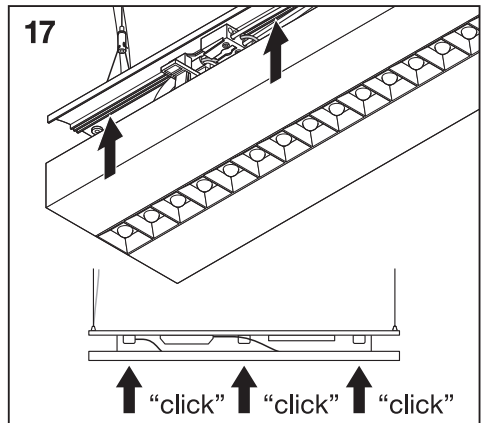
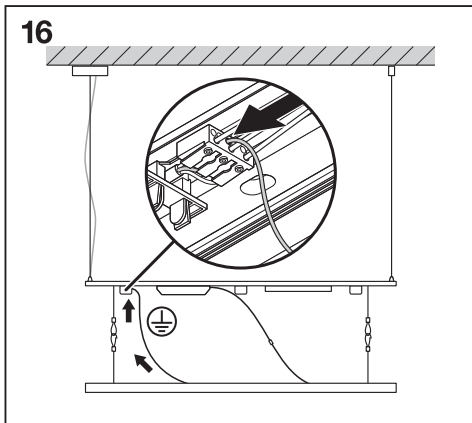
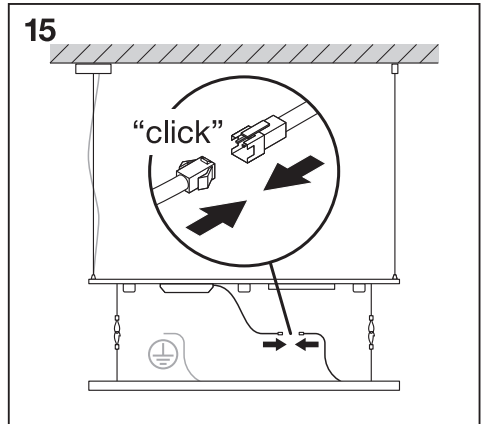
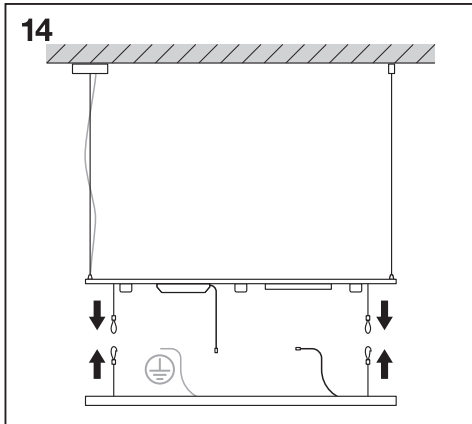
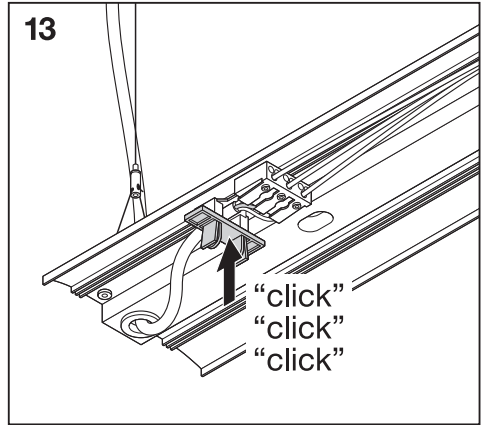
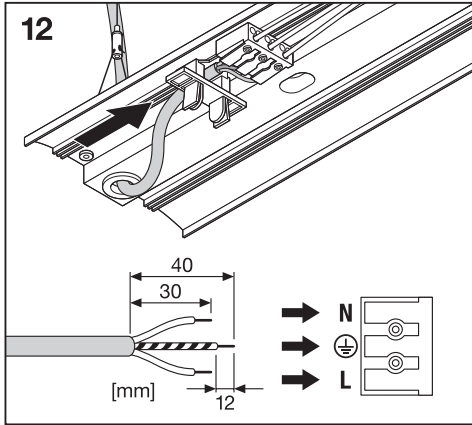


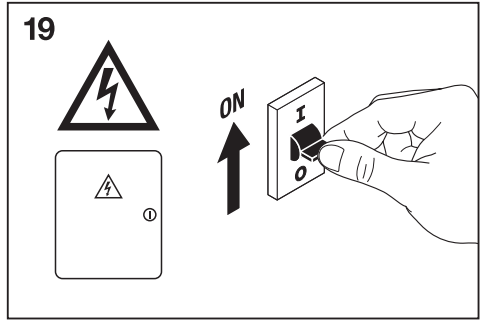
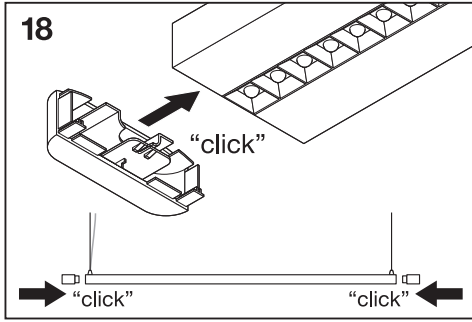


LN INDV SUSPENSION KIT
EAN 4058075133280









LN INDV 1200 THROUGHWIRING KIT
EAN 4058075158016

LN INDV 1500 THROUGHWIRING KIT
EAN 4058075133365

LN INDV LIGHTLINE CONNECTOR
EAN 4058075133341

LN INDV SUSPENSION WIRE
EAN 4058075133327

1x

1x

1x

“click”

$n \times^*$

d

$2x$

$1x$

	[mm]	d
LN INDV D 1200 34W ZBVR	1199	
LN INDV D 1500 48W ZBVR	1488	

*nx	C10A	B16A	C16A	ZigBee driver	IOUT [mA]	ZigBee DIM
LN INDV D 1200 34W ZBVR	n = 10	n = 11	n = 16	LC ZB 51/220-240/INDV1200	850	✓
LN INDV D 1500 48W ZBVR	n = 10	n = 11	n = 16	LC ZB 51/220-240/INDV1500	1200	✓



C10449058
G11102790V2
21.04.21



LEDVANCE GmbH
Steinerne Furt 62
86167 Augsburg, Germany
www.ledvance.com