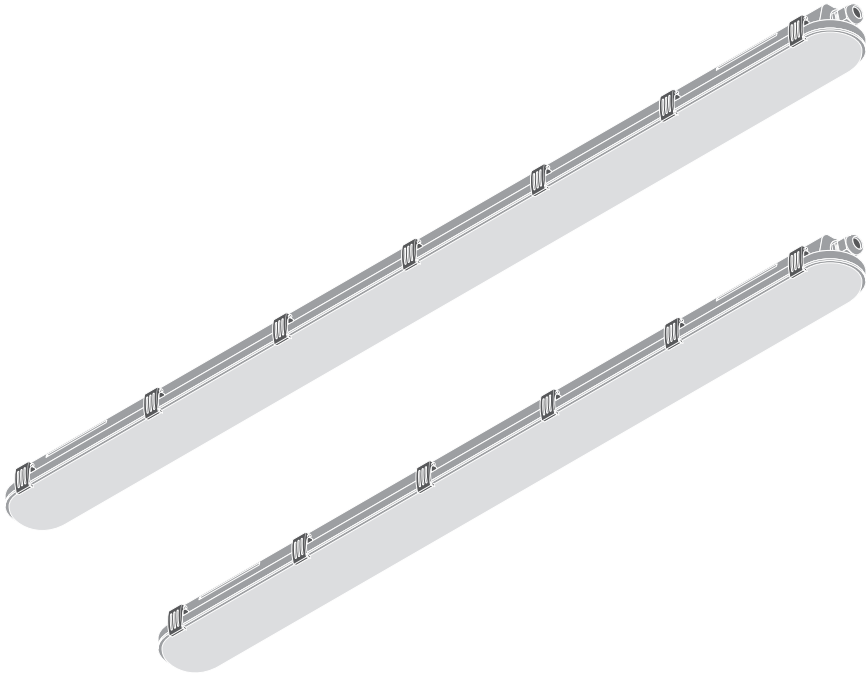
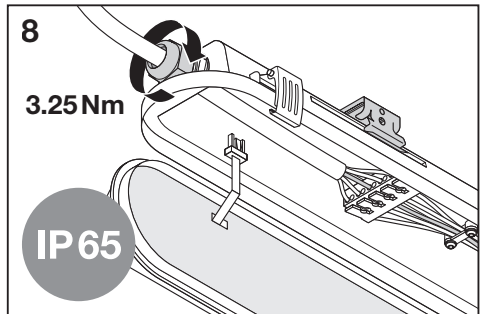
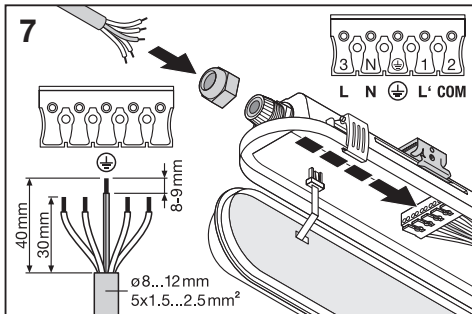
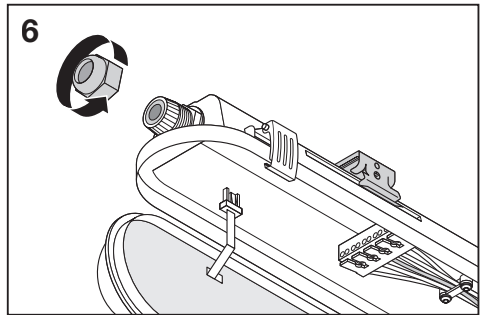
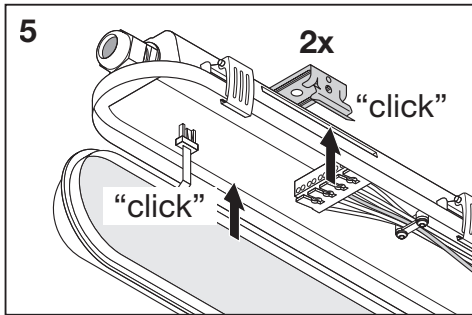
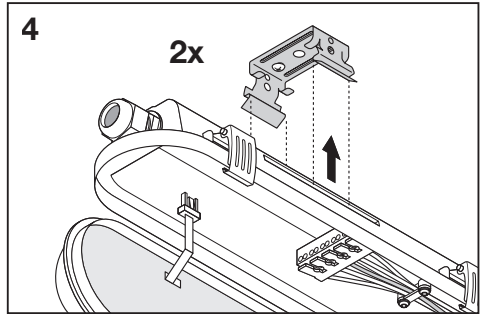
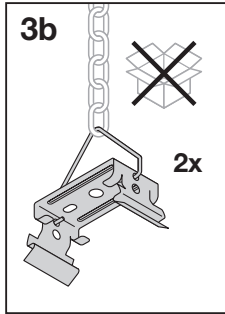
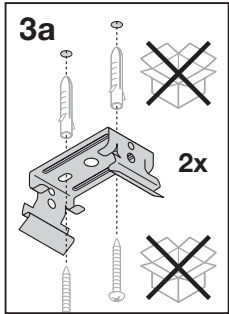
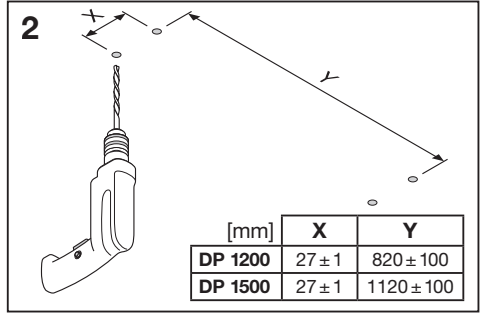
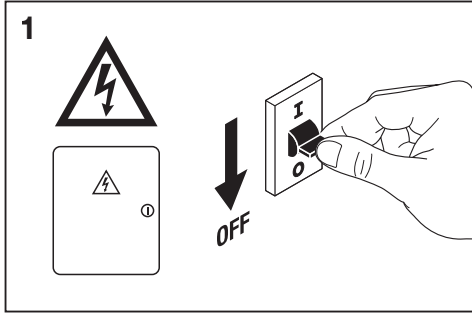


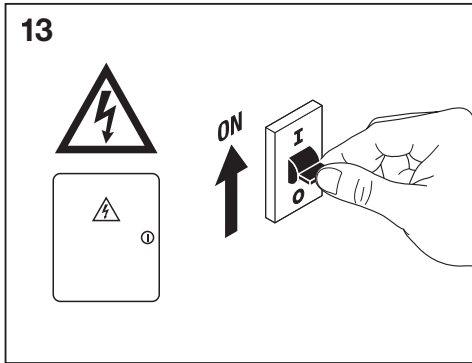
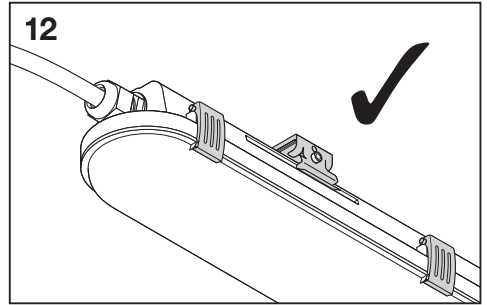
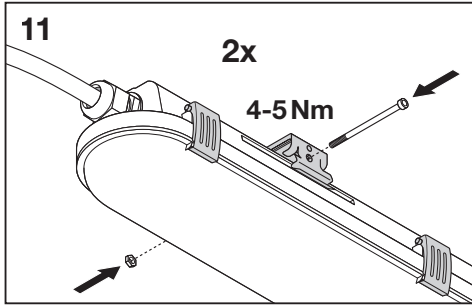
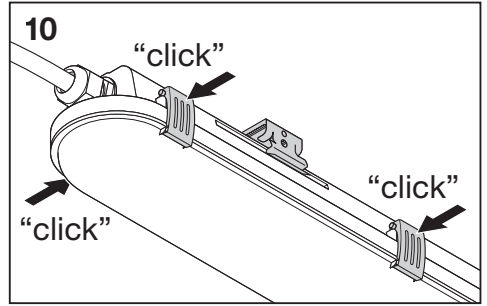
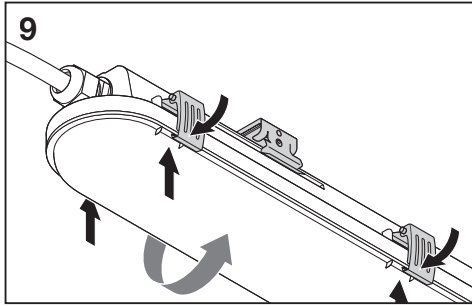
DAMPPROOF SENSOR IP65



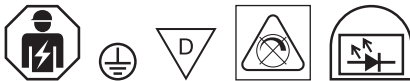
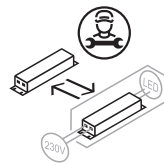
	EAN	l x w x h [mm]	W	V _{AC}	Hz	lm	lm/W	K
DP S 1200 18W 840 IP65 GY	4058075836068	1200 x 82 x 68	18	220-240V	50/60Hz	2400	135	4000
DP S 1200 32W 840 IP65 GY	4058075541962	1200 x 82 x 68	32	220-240V	50/60Hz	4400	138	4000
DP S 1500 26W 840 IP65 GY	4058075836082	1500 x 82 x 68	26	220-240V	50/60Hz	3500	135	4000
DP S 1500 46W 840 IP65 GY	4058075541986	1500 x 82 x 68	46	220-240V	50/60Hz	6400	139	4000
DP S 1500 58W 840 IP65 GY	4058075542006	1500 x 82 x 68	58	220-240V	50/60Hz	8000	138	4000

	EAN	IP	IK	∠	R _a	° (°C)	PF	👤
DP S 1200 18W 840 IP65 GY	4058075836068	65	08	110	> 80	-20...+40	> 0.9	1.4 kg
DP S 1200 32W 840 IP65 GY	4058075541962	65	08	110	> 80	-20...+40	> 0.9	1.6 kg
DP S 1500 26W 840 IP65 GY	4058075836082	65	08	110	> 80	-20...+40	> 0.9	1.7 kg
DP S 1500 46W 840 IP65 GY	4058075541986	65	08	110	> 80	-20...+40	> 0.9	1.9 kg
DP S 1500 58W 840 IP65 GY	4058075542006	65	08	110	> 80	-20...+40	> 0.9	1.9 kg





nx	B16	C10	C16
DP S 1200 18W 840	n=58	n=46	n=73
DP S 1200 32W 840	n=27	n=24	n=39
DP S 1500 26W 840	n=56	n=44	n=71
DP S 1500 46W 840	n=26	n=23	n=37
DP S 1500 58W 840	n=26	n=23	n=38



LEDVANCE GmbH
Steinerne Furt 62
86167 Augsburg, Germany
www.ledvance.com

C10449057
G11181561
21.11.23

© LEDVANCE Ltd, Aquila House
Delta Crescent, Westbrook, Warrington
WA5 7NR, United Kingdom