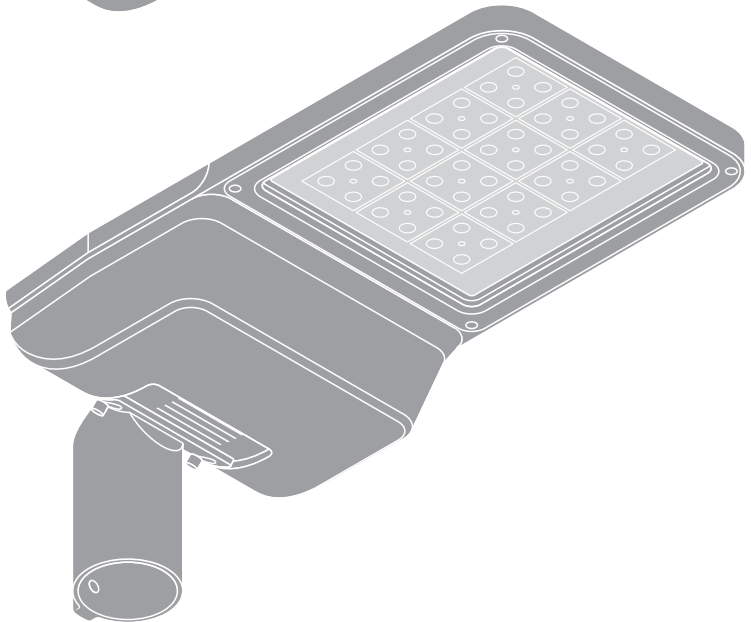
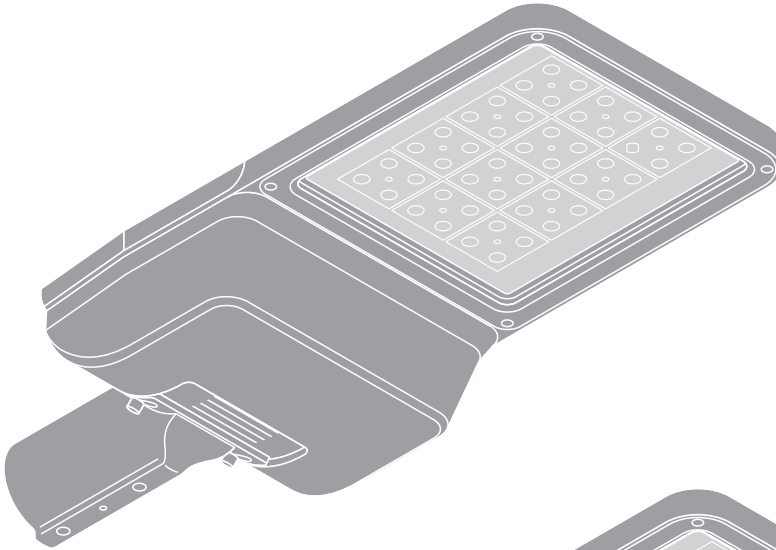


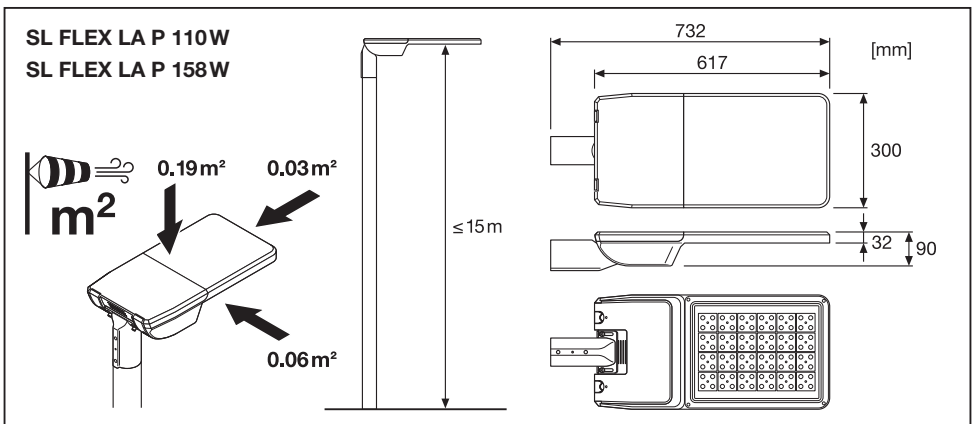
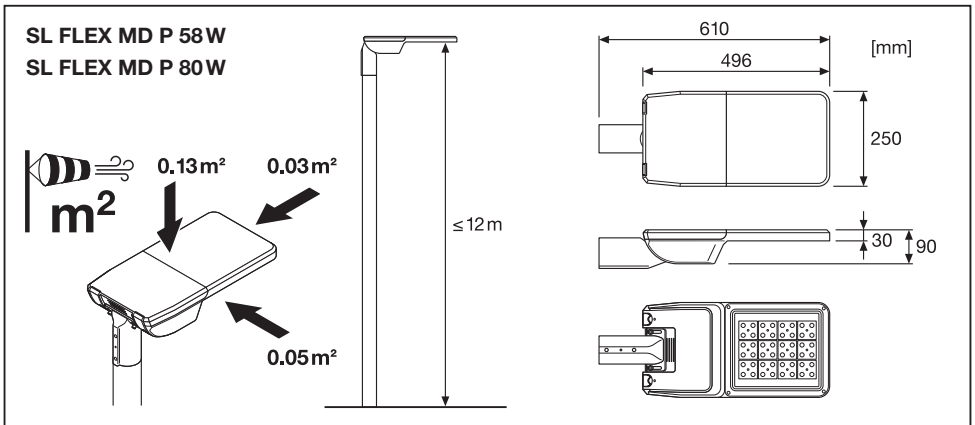
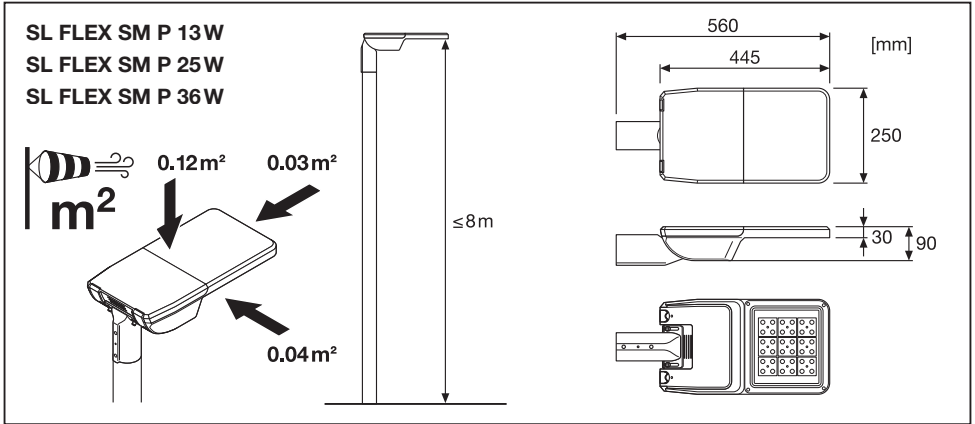
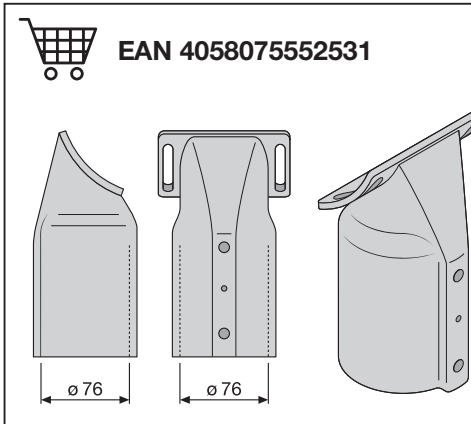
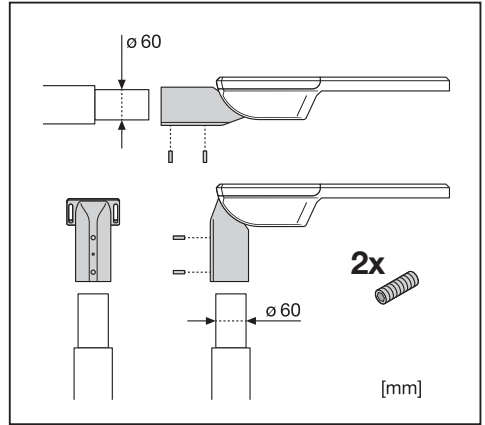
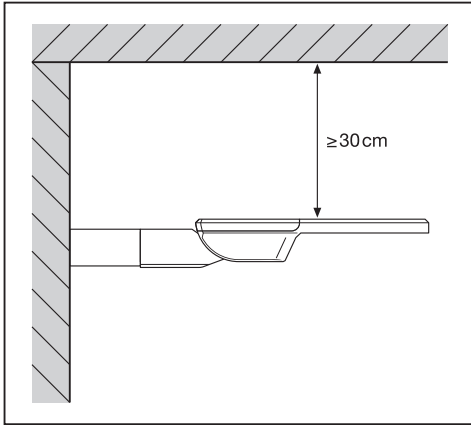

STREETLIGHT FLEX



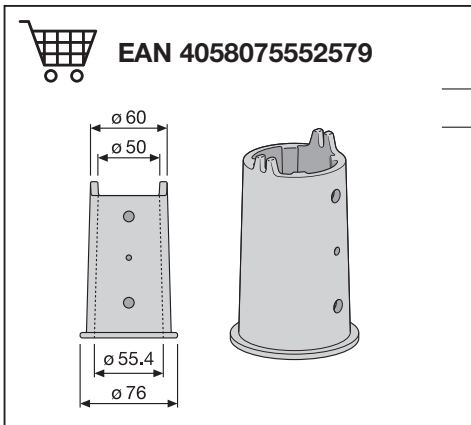
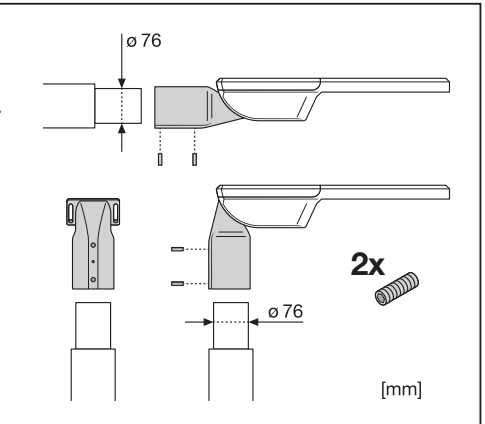
| | EAN | l x w x h [mm] | W | V _{AC} | Hz | lm | lm/W |
|----------------------------------|---------------|----------------|-----|-----------------|----------|-------|------|
| SL FLEX SM P 13W 727 RV25ST WAL | 4058075552234 | 445x250x90 | 13 | 220-240 V | 50/60 Hz | 1650 | 127 |
| SL FLEX SM P 13W 730 RV25ST WAL | 4058075552241 | 445x250x90 | 13 | 220-240 V | 50/60 Hz | 1700 | 131 |
| SL FLEX SM P 13W 740 RV25ST WAL | 4058075552258 | 445x250x90 | 13 | 220-240 V | 50/60 Hz | 1780 | 137 |
| SL FLEX SM P 25W 727 RV25ST WAL | 4058075552265 | 445x250x90 | 25 | 220-240 V | 50/60 Hz | 3270 | 131 |
| SL FLEX SM P 25W 730 RV25ST WAL | 4058075552272 | 445x250x90 | 25 | 220-240 V | 50/60 Hz | 3370 | 135 |
| SL FLEX SM P 25W 740 RV25ST WAL | 4058075552289 | 445x250x90 | 25 | 220-240 V | 50/60 Hz | 3550 | 141 |
| SL FLEX SM P 36W 727 RV25ST WAL | 4058075552296 | 445x250x90 | 36 | 220-240 V | 50/60 Hz | 4850 | 135 |
| SL FLEX SM P 36W 730 RV25ST WAL | 4058075552302 | 445x250x90 | 36 | 220-240 V | 50/60 Hz | 4950 | 138 |
| SL FLEX SM P 36W 740 RV25ST WAL | 4058075552319 | 445x250x90 | 36 | 220-240 V | 50/60 Hz | 5180 | 144 |
| SL FLEX MD P 58W 727 RV25ST WAL | 4058075552326 | 496x250x90 | 58 | 220-240 V | 50/60 Hz | 7750 | 134 |
| SL FLEX MD P 58W 730 RV25ST WAL | 4058075552333 | 496x250x90 | 58 | 220-240 V | 50/60 Hz | 8250 | 142 |
| SL FLEX MD P 58W 740 RV25ST WAL | 4058075552340 | 496x250x90 | 58 | 220-240 V | 50/60 Hz | 8500 | 147 |
| SL FLEX MD P 80W 727 RV25ST WAL | 4058075552357 | 496x250x90 | 80 | 220-240 V | 50/60 Hz | 10550 | 132 |
| SL FLEX MD P 80W 727 RW35ST WAL | 4058075552364 | 496x250x90 | 80 | 220-240 V | 50/60 Hz | 10500 | 131 |
| SL FLEX MD P 80W 730 RV25ST WAL | 4058075552371 | 496x250x90 | 80 | 220-240 V | 50/60 Hz | 11400 | 143 |
| SL FLEX MD P 80W 730 RW35ST WAL | 4058075552388 | 496x250x90 | 80 | 220-240 V | 50/60 Hz | 11300 | 141 |
| SL FLEX MD P 80W 740 RV25ST WAL | 4058075552395 | 496x250x90 | 80 | 220-240 V | 50/60 Hz | 11650 | 146 |
| SL FLEX MD P 80W 740 RW35ST WAL | 4058075552401 | 496x250x90 | 80 | 220-240 V | 50/60 Hz | 11500 | 144 |
| SL FLEX LA P 110W 727 RV25ST WAL | 4058075552418 | 617x300x90 | 110 | 220-240 V | 50/60 Hz | 15250 | 139 |
| SL FLEX LA P 110W 727 RW35ST WAL | 4058075552425 | 617x300x90 | 110 | 220-240 V | 50/60 Hz | 15200 | 138 |
| SL FLEX LA P 110W 730 RV25ST WAL | 4058075552432 | 617x300x90 | 110 | 220-240 V | 50/60 Hz | 16500 | 150 |
| SL FLEX LA P 110W 730 RW35ST WAL | 4058075552449 | 617x300x90 | 110 | 220-240 V | 50/60 Hz | 16350 | 149 |
| SL FLEX LA P 110W 740 RV25ST WAL | 4058075552456 | 617x300x90 | 110 | 220-240 V | 50/60 Hz | 16800 | 153 |
| SL FLEX LA P 110W 740 RW35ST WAL | 4058075552463 | 617x300x90 | 110 | 220-240 V | 50/60 Hz | 16650 | 151 |
| SL FLEX LA P 158W 727 RV25ST WAL | 4058075552470 | 617x300x90 | 158 | 220-240 V | 50/60 Hz | 21150 | 134 |
| SL FLEX LA P 158W 727 RW35ST WAL | 4058075552487 | 617x300x90 | 158 | 220-240 V | 50/60 Hz | 21000 | 133 |
| SL FLEX LA P 158W 730 RV25ST WAL | 4058075552494 | 617x300x90 | 158 | 220-240 V | 50/60 Hz | 23350 | 148 |
| SL FLEX LA P 158W 730 RW35ST WAL | 4058075552500 | 617x300x90 | 158 | 220-240 V | 50/60 Hz | 23200 | 147 |
| SL FLEX LA P 158W 740 RV25ST WAL | 4058075552517 | 617x300x90 | 158 | 220-240 V | 50/60 Hz | 24450 | 155 |
| SL FLEX LA P 158W 740 RW35ST WAL | 4058075552524 | 617x300x90 | 158 | 220-240 V | 50/60 Hz | 23900 | 151 |

| | EAN | K | IP | IK |  | R _a | ⌄ (°C) | PF |  |
|----------------------------------|---------------|------|----|----|---|----------------|----------|-------|---|
| SL FLEX SM P 13W 727 RV25ST WAL | 4058075552234 | 2700 | 66 | 08 | 25° x 145° | 70 | -30...50 | > 0.9 | 4.4 kg |
| SL FLEX SM P 13W 730 RV25ST WAL | 4058075552241 | 3000 | 66 | 08 | 25° x 145° | 70 | -30...50 | > 0.9 | 4.4 kg |
| SL FLEX SM P 13W 740 RV25ST WAL | 4058075552258 | 4000 | 66 | 08 | 25° x 145° | 70 | -30...50 | > 0.9 | 4.4 kg |
| SL FLEX SM P 25W 727 RV25ST WAL | 4058075552265 | 2700 | 66 | 08 | 25° x 145° | 70 | -30...50 | > 0.9 | 4.5 kg |
| SL FLEX SM P 25W 730 RV25ST WAL | 4058075552272 | 3000 | 66 | 08 | 25° x 145° | 70 | -30...50 | > 0.9 | 4.5 kg |
| SL FLEX SM P 25W 740 RV25ST WAL | 4058075552289 | 4000 | 66 | 08 | 25° x 145° | 70 | -30...50 | > 0.9 | 4.5 kg |
| SL FLEX SM P 36W 727 RV25ST WAL | 4058075552296 | 2700 | 66 | 08 | 25° x 145° | 70 | -30...50 | > 0.9 | 4.5 kg |
| SL FLEX SM P 36W 730 RV25ST WAL | 4058075552302 | 3000 | 66 | 08 | 25° x 145° | 70 | -30...50 | > 0.9 | 4.5 kg |
| SL FLEX SM P 36W 740 RV25ST WAL | 4058075552319 | 4000 | 66 | 08 | 25° x 145° | 70 | -30...50 | > 0.9 | 4.5 kg |
| SL FLEX MD P 58W 727 RV25ST WAL | 4058075552326 | 2700 | 66 | 08 | 25° x 145° | 70 | -30...50 | > 0.9 | 5.1 kg |
| SL FLEX MD P 58W 730 RV25ST WAL | 4058075552333 | 3000 | 66 | 08 | 25° x 145° | 70 | -30...50 | > 0.9 | 5.1 kg |
| SL FLEX MD P 58W 740 RV25ST WAL | 4058075552340 | 4000 | 66 | 08 | 25° x 145° | 70 | -30...50 | > 0.9 | 5.1 kg |
| SL FLEX MD P 80W 727 RV25ST WAL | 4058075552357 | 2700 | 66 | 08 | 25° x 145° | 70 | -30...50 | > 0.9 | 5.6 kg |
| SL FLEX MD P 80W 727 RW35ST WAL | 4058075552364 | 2700 | 66 | 08 | 35° x 135° | 70 | -30...50 | > 0.9 | 5.6 kg |
| SL FLEX MD P 80W 730 RV25ST WAL | 4058075552371 | 3000 | 66 | 08 | 25° x 145° | 70 | -30...50 | > 0.9 | 5.6 kg |
| SL FLEX MD P 80W 730 RW35ST WAL | 4058075552388 | 3000 | 66 | 08 | 35° x 135° | 70 | -30...50 | > 0.9 | 5.6 kg |
| SL FLEX MD P 80W 740 RV25ST WAL | 4058075552395 | 4000 | 66 | 08 | 25° x 145° | 70 | -30...50 | > 0.9 | 5.6 kg |
| SL FLEX MD P 80W 740 RW35ST WAL | 4058075552401 | 4000 | 66 | 08 | 35° x 135° | 70 | -30...50 | > 0.9 | 5.6 kg |
| SL FLEX LA P 110W 727 RV25ST WAL | 4058075552418 | 2700 | 66 | 08 | 25° x 145° | 70 | -30...50 | > 0.9 | 7.7 kg |
| SL FLEX LA P 110W 727 RW35ST WAL | 4058075552425 | 2700 | 66 | 08 | 35° x 135° | 70 | -30...50 | > 0.9 | 7.7 kg |
| SL FLEX LA P 110W 730 RV25ST WAL | 4058075552432 | 3000 | 66 | 08 | 25° x 145° | 70 | -30...50 | > 0.9 | 7.7 kg |
| SL FLEX LA P 110W 730 RW35ST WAL | 4058075552449 | 3000 | 66 | 08 | 35° x 135° | 70 | -30...50 | > 0.9 | 7.7 kg |
| SL FLEX LA P 110W 740 RV25ST WAL | 4058075552456 | 4000 | 66 | 08 | 25° x 145° | 70 | -30...50 | > 0.9 | 7.7 kg |
| SL FLEX LA P 110W 740 RW35ST WAL | 4058075552463 | 4000 | 66 | 08 | 35° x 135° | 70 | -30...50 | > 0.9 | 7.7 kg |
| SL FLEX LA P 158W 727 RV25ST WAL | 4058075552470 | 2700 | 66 | 08 | 25° x 145° | 70 | -30...50 | > 0.9 | 7.7 kg |
| SL FLEX LA P 158W 727 RW35ST WAL | 4058075552487 | 2700 | 66 | 08 | 35° x 135° | 70 | -30...50 | > 0.9 | 7.7 kg |
| SL FLEX LA P 158W 730 RV25ST WAL | 4058075552494 | 3000 | 66 | 08 | 25° x 145° | 70 | -30...50 | > 0.9 | 7.7 kg |
| SL FLEX LA P 158W 730 RW35ST WAL | 4058075552500 | 3000 | 66 | 08 | 35° x 135° | 70 | -30...50 | > 0.9 | 7.7 kg |
| SL FLEX LA P 158W 740 RV25ST WAL | 4058075552517 | 4000 | 66 | 08 | 25° x 145° | 70 | -30...50 | > 0.9 | 7.7 kg |
| SL FLEX LA P 158W 740 RW35ST WAL | 4058075552524 | 4000 | 66 | 08 | 35° x 135° | 70 | -30...50 | > 0.9 | 7.7 kg |

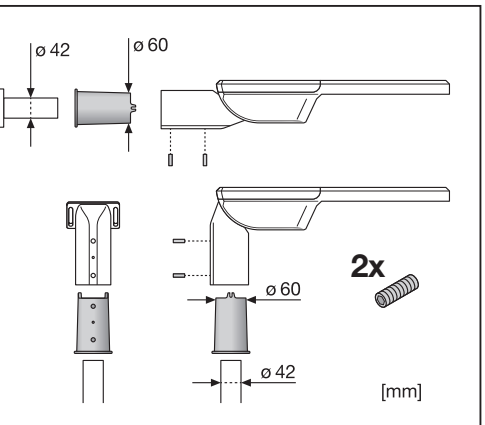


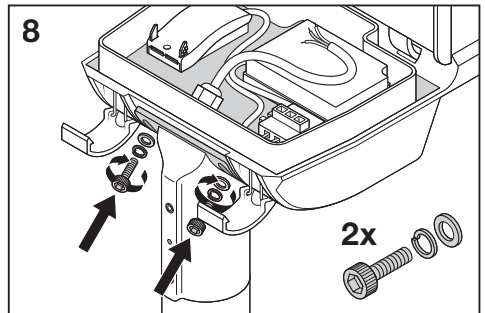
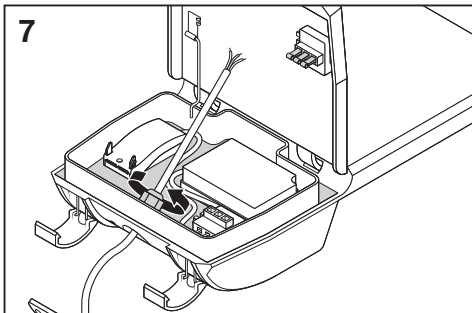
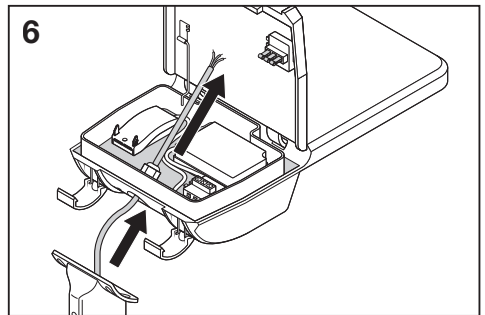
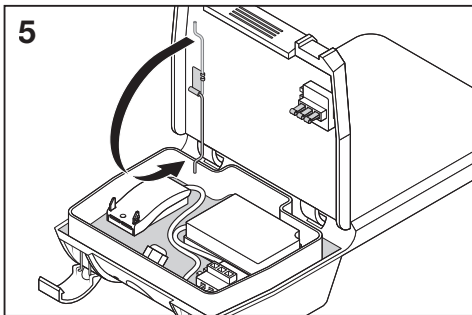
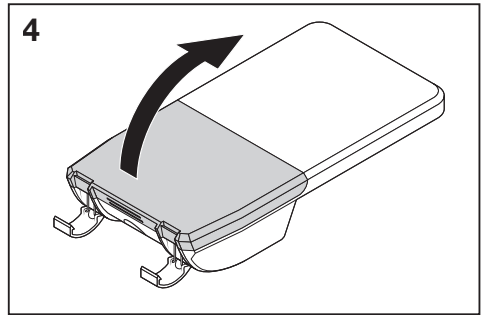
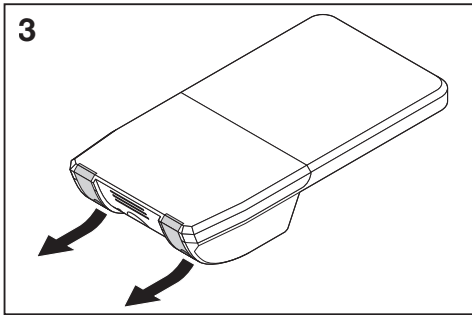
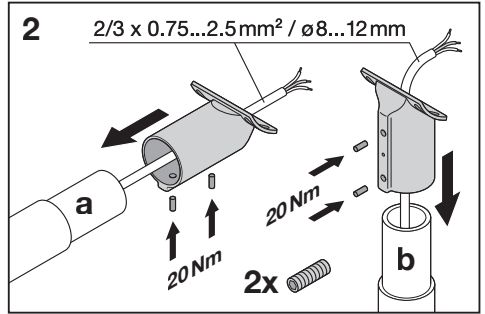
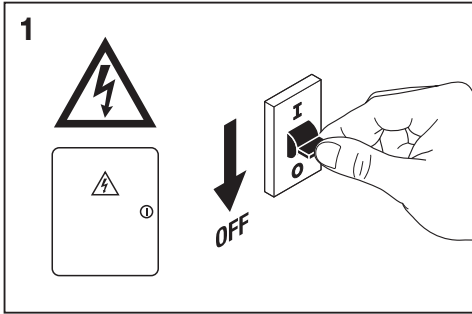


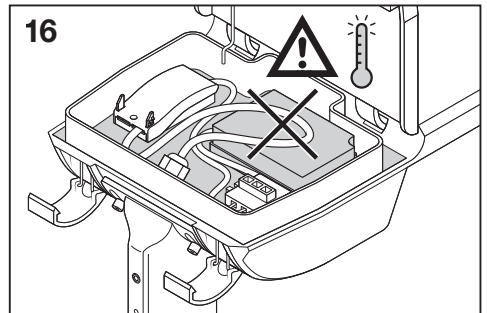
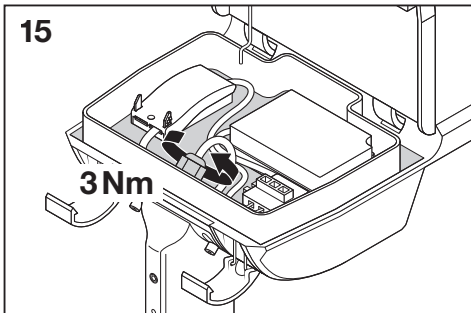
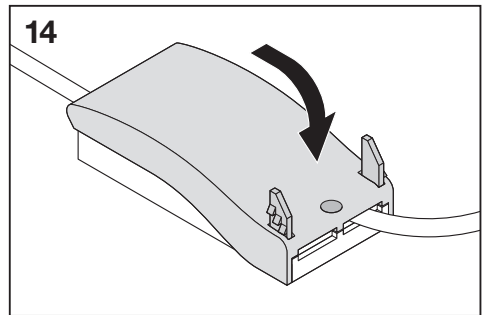
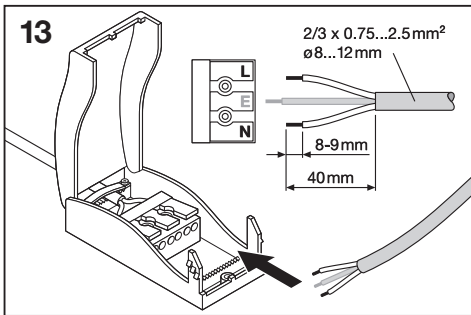
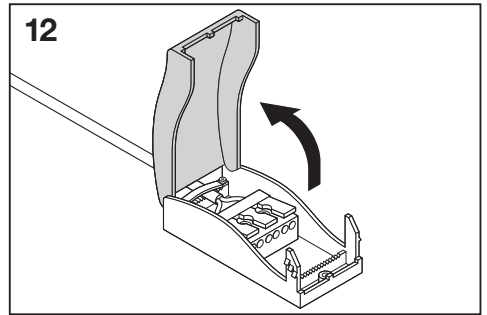
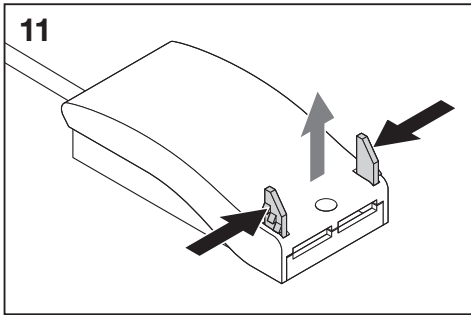
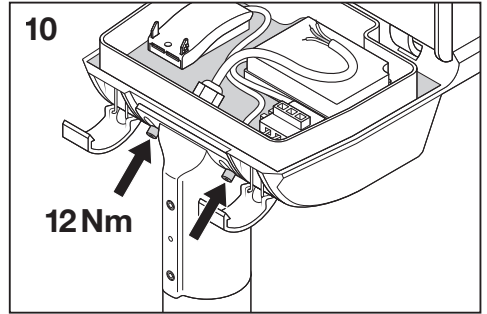
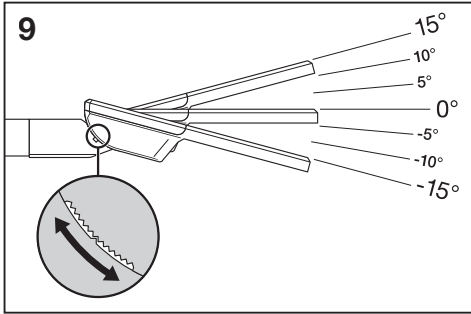
EAN 4058075552531

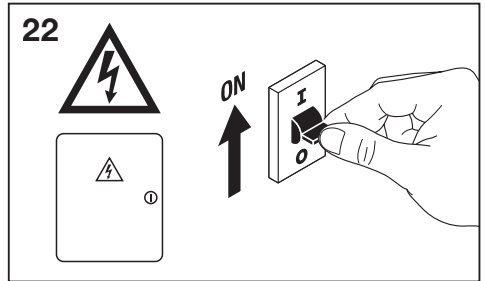
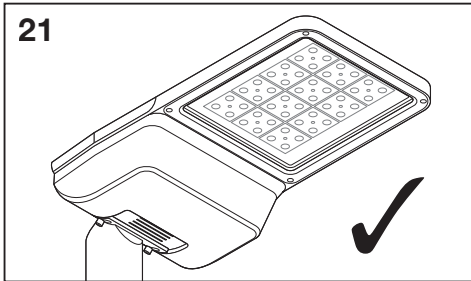
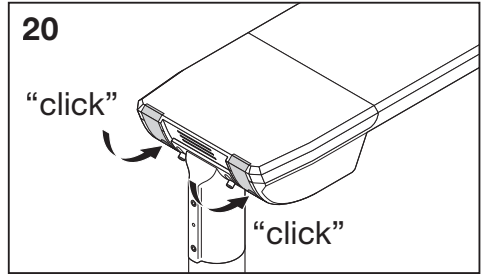
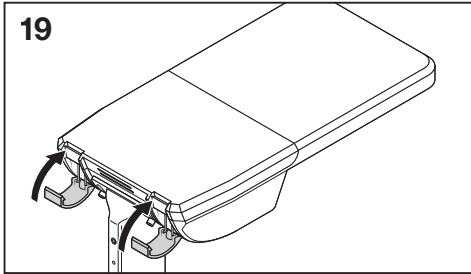
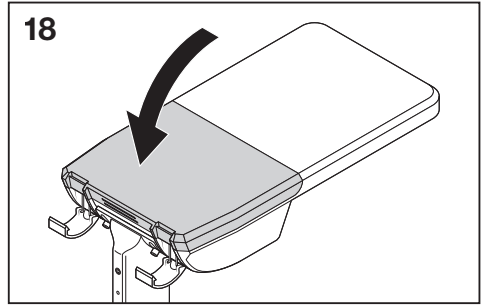
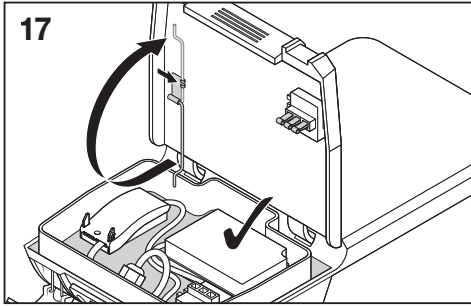


EAN 4058075552579

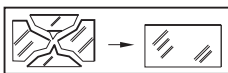








| | Inrush Current [A] | Th50 [μs] | B10 | B16 | B32 | C10 | C16 | C32 |
|-------------------|--------------------|-----------|-----|-----|-----|-----|-----|-----|
| SL FLEX SM P 13W | 25 | 150 | 23 | 36 | 68 | 40 | 70 | 124 |
| SL FLEX SM P 25W | 26 | 180 | 15 | 18 | 35 | 28 | 36 | 58 |
| SL FLEX SM P 36W | 26 | 180 | 11 | 16 | 32 | 25 | 32 | 53 |
| SL FLEX MD P 58W | 54 | 200 | 7 | 10 | 21 | 13 | 21 | 41 |
| SL FLEX MD P 80W | 65 | 220 | 5 | 9 | 20 | 10 | 19 | 40 |
| SL FLEX LA P 110W | 65 | 220 | 5 | 8 | 19 | 9 | 17 | 38 |
| SL FLEX LA P 158W | 80 | 150 | 4 | 7 | 17 | 8 | 14 | 33 |



LEDVANCE GmbH
Steinerne Furt 62
86167 Augsburg, Germany
www.ledvance.com

C10449058
G11142831
06.05.22

© LEDVANCE Ltd, Aquila House
Delta Crescent, Westbrook, Warrington
WA5 7NR, United Kingdom