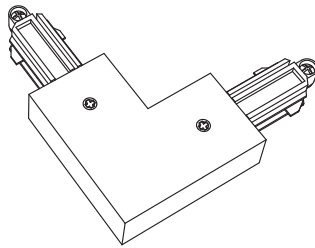


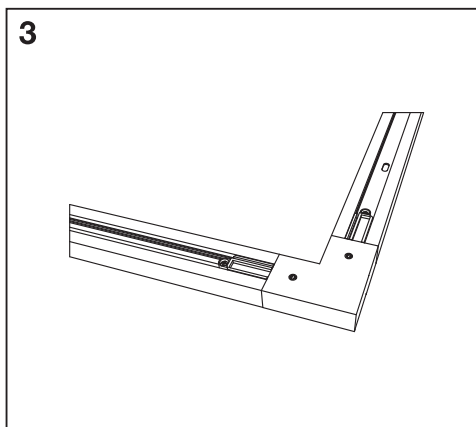
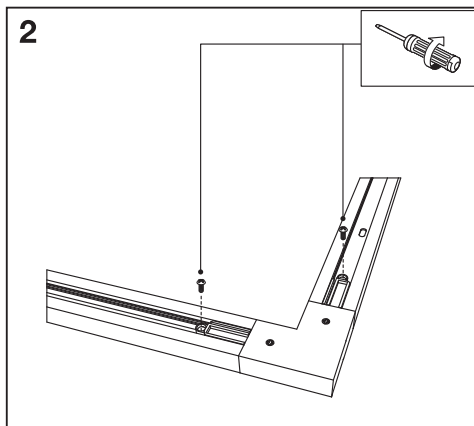
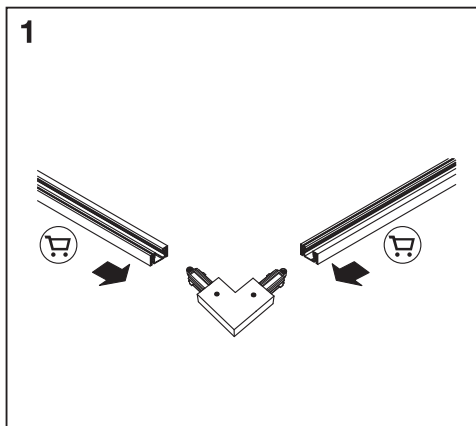
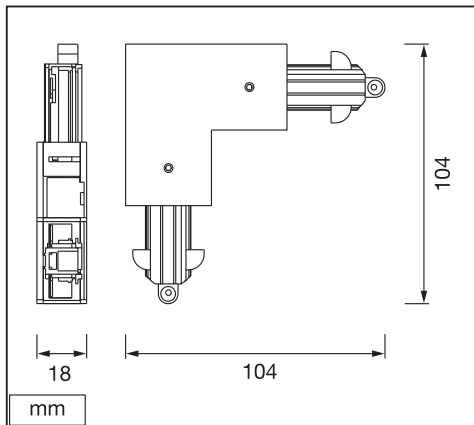
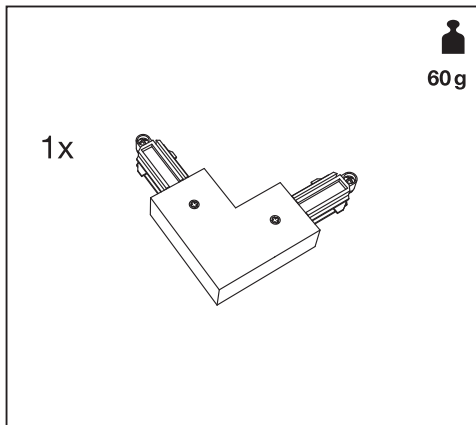
---

# TRACKLIGHT CORNER CONNECTOR

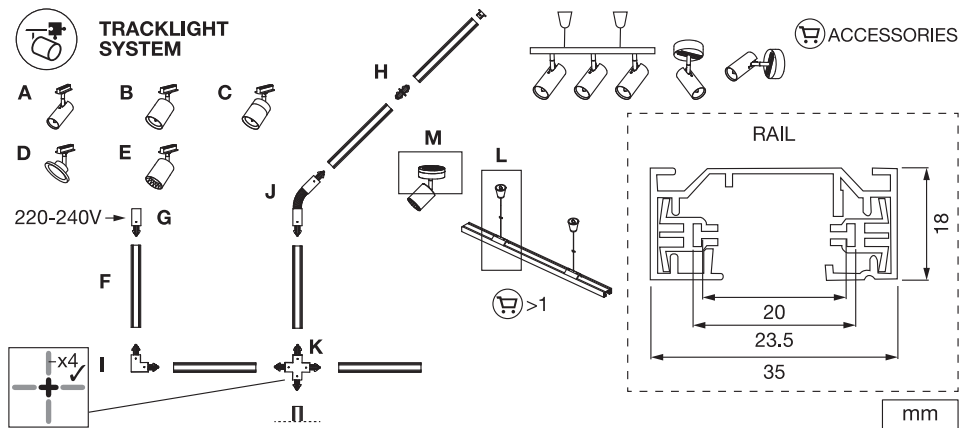
---



|                                       | <b>EAN</b>    | <b>IP</b> | <b>Δ (°C)</b> | <b>V~</b> | <b>Hz</b> |
|---------------------------------------|---------------|-----------|---------------|-----------|-----------|
| <b>TRACKLIGHT CORNER CONNECTOR WT</b> | 4058075764040 | 20        | -20...+40     | 220-240   | 50/60     |
| <b>TRACKLIGHT CORNER CONNECTOR BK</b> | 4058075764064 | 20        | -20...+40     | 220-240   | 50/60     |



# TRACKLIGHT CORNER CONNECTOR



| Item | Model                                 | Socket         | Dimension L x W x H        | Color          | EAN                            |
|------|---------------------------------------|----------------|----------------------------|----------------|--------------------------------|
| A    | TRACKLIGHT SPOT CYLINDER              | GU10           | 140 x 55 x 130 mm          | White<br>Black | 4058075756588<br>4058075756625 |
| B    | TRACKLIGHT SPOT MINICYLINDER          | GU10           | 135 x 65 x 93 mm           | White<br>Black | 4058075756649<br>4058075756663 |
| C    | TRACKLIGHT SPOT CYLINDER              | GU10           | 142 x 65 x 93 mm           | White<br>Black | 4058075756687<br>4058075756700 |
| D    | SMART WIFI TRACKL SPOT CIRCLE TUNABLE | Integrated LED | ø120 x 95 mm               | White<br>Black | 4058075759749<br>4058075759763 |
| E    | SMART WIFI TRACKL SPOT OSAKA TUNABLE  | Integrated LED | 64.5 x 92 x 140 mm         | White<br>Black | 4058075759787<br>4058075759800 |
| F    | TRACKLIGHT RAIL                       | -              | 1000 x 35 x 18 mm          | White<br>Black | 4058075763920<br>4058075763944 |
| G    | TRACKLIGHT SUPPLY CONNECTOR           | -              | 104 x 35 x 18 mm           | White<br>Black | 4058075763968<br>4058075763982 |
| H    | TRACKLIGHT LINEAR CONNECTOR           | -              | 64 x 35 x 18 mm            | White<br>Black | 4058075764002<br>4058075764026 |
| I    | TRACKLIGHT CORNER CONNECTOR           | -              | 104 x 104 x 18 mm          | White<br>Black | 4058075764040<br>4058075764064 |
| J    | TRACKLIGHT FLEXIBLE CONNECTOR         | -              | 290 x 35 x 18 mm           | White<br>Black | 4058075764088<br>4058075764101 |
| K    | TRACKLIGHT CROSS CONNECTOR            | -              | 172 x 172 x 18 mm          | White<br>Black | 4058075764125<br>4058075764149 |
| L    | TRACKLIGHT SUSPENSION KIT             | -              | 61 x 33 x 15 / ø40 x 47 mm | White<br>Black | 4058075764163<br>4058075764187 |
| M    | TRACKLIGHT ROUND BASE                 | -              | 32 x ø100 mm               | White<br>Black | 4058075764200<br>4058075764224 |



Points de collecte sur [www.quefairedemesdechets.fr](http://www.quefairedemesdechets.fr)

C10449057  
G11168119  
20.04.2023



© LEDVANCE Ltd, Aquila House,  
Delta Crescent, Westbrook, Warrington,  
WA5 7NR, United Kingdom

LEDVANCE GmbH  
Steinerne Furt 62  
86167 Augsburg, Germany  
[www.ledvance.com](http://www.ledvance.com)