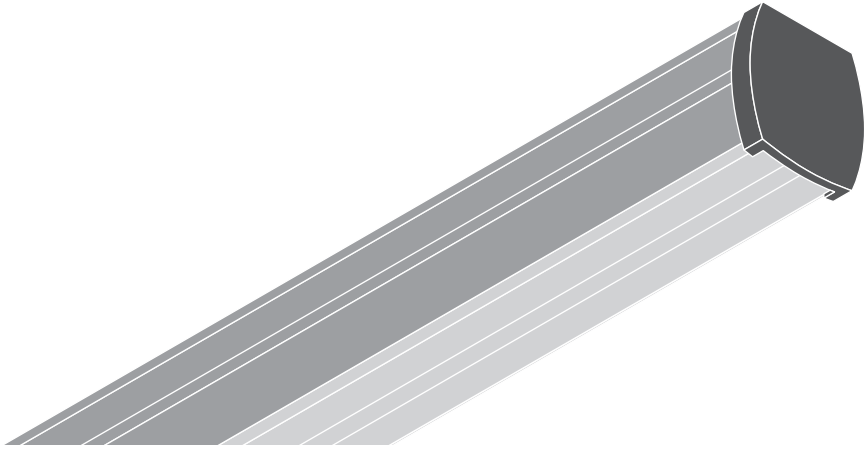


---

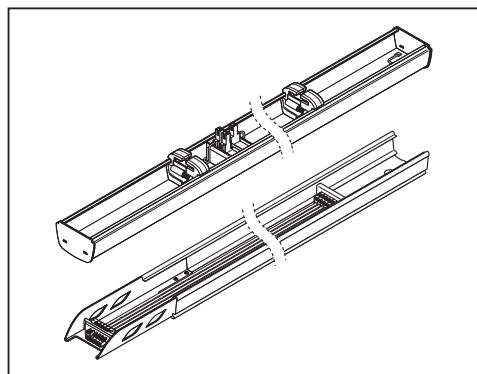
**TruSys® FLEX TRUNKING SYSTEM ON/OFF**


---



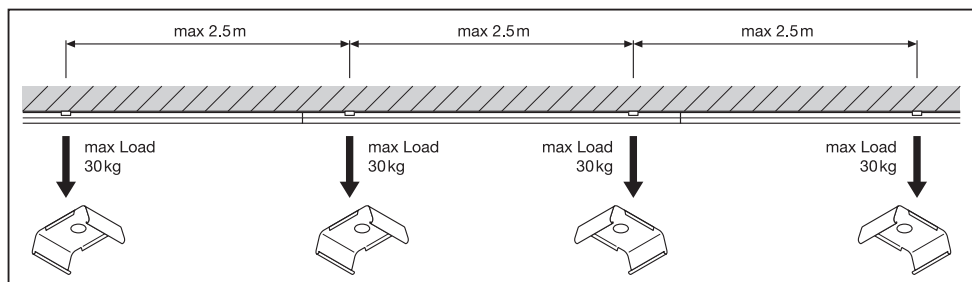
	EAN	l x w x h [mm]	W	V <sub>AC</sub>	Hz	lm	lm/W
TRUSYS FLEX P 35W 840 VW CL WT	4058075771017	1500x77.7x39.4	35	220-240 V	50/60 Hz	6000	175
TRUSYS FLEX P 35W 840 W CL WT	4058075771093	1500x77.7x39.4	35	220-240 V	50/60 Hz	6000	175
TRUSYS FLEX P 35W 840 N CL WT	4058075771307	1500x77.7x39.4	35	220-240 V	50/60 Hz	6000	175
TRUSYS FLEX P 35W 840 VN CL WT	4058075771345	1500x77.7x39.4	35	220-240 V	50/60 Hz	6000	175
TRUSYS FLEX P 35W 840 DS CL WT	4058075771383	1500x77.7x39.4	35	220-240 V	50/60 Hz	6000	175
TRUSYS FLEX P 35W 840 W OP WT	4058075771406	1500x77.7x39.4	35	220-240 V	50/60 Hz	5800	167
TRUSYS FLEX P 35W 840 WW CL WT	4099854190636	1500x77.7x39.4	35	220-240 V	50/60 Hz	6000	175
TRUSYS FLEX P 50W 840 VW CL WT	4058075771444	1500x77.7x39.4	50	220-240 V	50/60 Hz	8600	175
TRUSYS FLEX P 50W 840 W CL WT	4058075771482	1500x77.7x39.4	50	220-240 V	50/60 Hz	8600	175
TRUSYS FLEX P 50W 840 N CL WT	4058075771574	1500x77.7x39.4	50	220-240 V	50/60 Hz	8600	175
TRUSYS FLEX P 50W 840 VN CL WT	4058075771604	1500x77.7x39.4	50	220-240 V	50/60 Hz	8600	175
TRUSYS FLEX P 50W 840 DS CL WT	4058075771802	1500x77.7x39.4	50	220-240 V	50/60 Hz	8600	175
TRUSYS FLEX P 50W 840 W OP WT	4058075771826	1500x77.7x39.4	50	220-240 V	50/60 Hz	8300	167
TRUSYS FLEX P 50W 840 WW CL WT	4099854190797	1500x77.7x39.4	50	220-240 V	50/60 Hz	8600	175
TRUSYS FLEX P 70W 840 VW CL WT	4058075771840	1500x77.7x39.4	70	220-240 V	50/60 Hz	12100	175
TRUSYS FLEX P 70W 840 W CL WT	4058075771864	1500x77.7x39.4	70	220-240 V	50/60 Hz	12100	175
TRUSYS FLEX P 70W 840 N CL WT	4058075771888	1500x77.7x39.4	70	220-240 V	50/60 Hz	12100	175
TRUSYS FLEX P 70W 840 VN CL WT	4058075771925	1500x77.7x39.4	70	220-240 V	50/60 Hz	12100	175
TRUSYS FLEX P 70W 840 DS CL WT	4058075771994	1500x77.7x39.4	70	220-240 V	50/60 Hz	12100	175
TRUSYS FLEX P 70W 840 W OP WT	4058075772090	1500x77.7x39.4	70	220-240 V	50/60 Hz	11700	167
TRUSYS FLEX P 70W 840 WW CL WT	4099854190957	1500x77.7x39.4	70	220-240 V	50/60 Hz	12100	175
TRUSYS FLEX P RAIL 1500 5P WT	4058075781672	1650x70.2x38.8	-	-	-	-	-
TRUSYS FLEX P RAIL 1500 5P END WT	4058075781733	1500x70.2x38.8	-	-	-	-	-
TRUSYS FLEX P RAIL 3000 5P WT	4058075781757	3150x70.2x38.8	-	-	-	-	-
TRUSYS FLEX P RAIL 4500 5P WT	4058075793156	4650x70.2x38.8	-	-	-	-	-

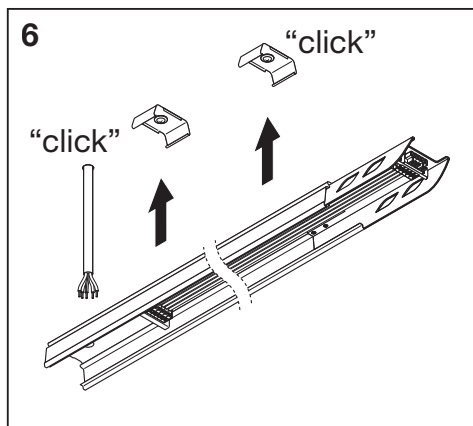
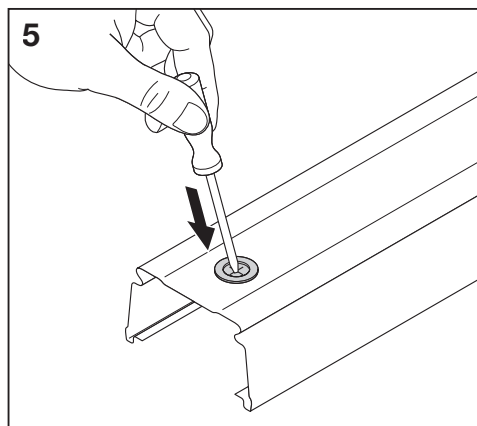
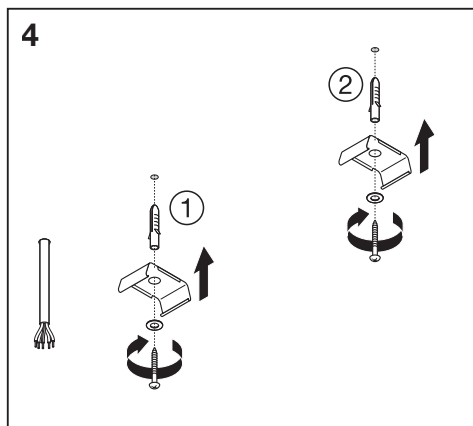
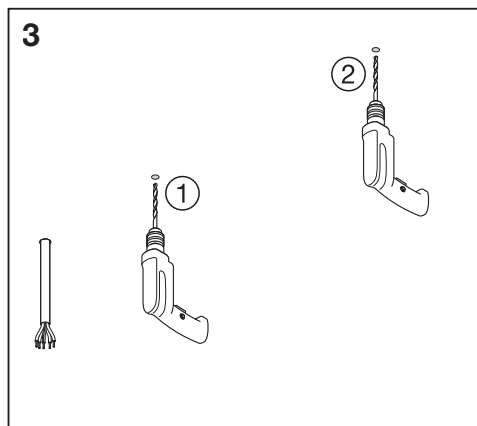
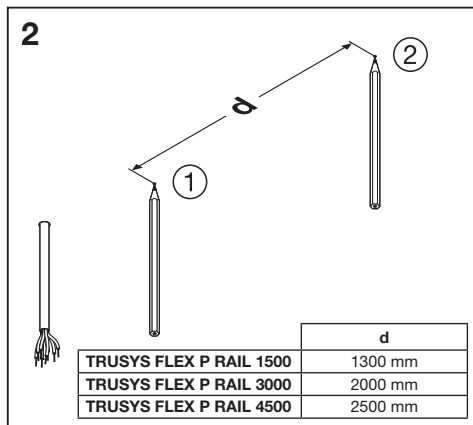
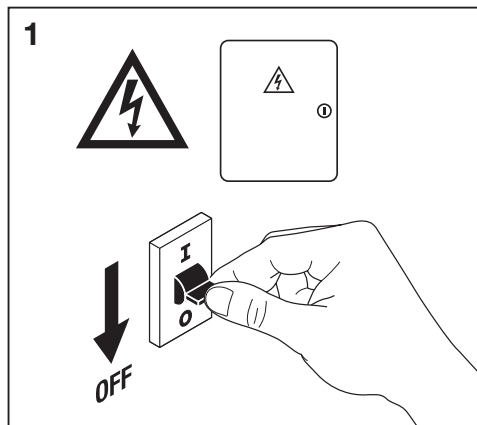
	EAN	K	IP	IK	∇	R <sub>a</sub>	Δ (°C)	PF	⊙	👤
TRUSYS FLEX P 35W 840 VW CL WT	4058075771017	4000	40	04	120°	≥ 80	-25...+40	≥0.95	–	1.7 kg
TRUSYS FLEX P 35W 840 W CL WT	4058075771093	4000	40	04	90°	≥ 80	-25...+40	≥0.95	–	1.7 kg
TRUSYS FLEX P 35W 840 N CL WT	4058075771307	4000	40	04	60°	≥ 80	-25...+40	≥0.95	–	1.7 kg
TRUSYS FLEX P 35W 840 VN CL WT	4058075771345	4000	40	04	30°	≥ 80	-25...+40	≥0.95	–	1.7 kg
TRUSYS FLEX P 35W 840 DS CL WT	4058075771383	4000	40	04	2 x 30°	≥ 80	-25...+40	≥0.95	–	1.7 kg
TRUSYS FLEX P 35W 840 W OP WT	4058075771406	4000	40	04	90°	≥ 80	-25...+40	≥0.95	–	1.7 kg
TRUSYS FLEX P 35W 840 WW CL WT	4099854190636	4000	40	04	40°	≥ 80	-25...+40	≥0.95	–	1.7 kg
TRUSYS FLEX P 50W 840 VW CL WT	4058075771444	4000	40	04	120°	≥ 80	-25...+40	≥0.95	–	1.7 kg
TRUSYS FLEX P 50W 840 W CL WT	4058075771482	4000	40	04	90°	≥ 80	-25...+40	≥0.95	–	1.7 kg
TRUSYS FLEX P 50W 840 N CL WT	4058075771574	4000	40	04	60°	≥ 80	-25...+40	≥0.95	–	1.7 kg
TRUSYS FLEX P 50W 840 VN CL WT	4058075771604	4000	40	04	30°	≥ 80	-25...+40	≥0.95	–	1.7 kg
TRUSYS FLEX P 50W 840 DS CL WT	4058075771802	4000	40	04	2 x 30°	≥ 80	-25...+40	≥0.95	–	1.7 kg
TRUSYS FLEX P 50W 840 W OP WT	4058075771826	4000	40	04	90°	≥ 80	-25...+40	≥0.95	–	1.7 kg
TRUSYS FLEX P 50W 840 WW CL WT	4099854190797	4000	40	04	40°	≥ 80	-25...+40	≥0.95	–	1.7 kg
TRUSYS FLEX P 70W 840 VW CL WT	4058075771840	4000	40	04	120°	≥ 80	-25...+40	≥0.95	–	1.7 kg
TRUSYS FLEX P 70W 840 W CL WT	4058075771864	4000	40	04	90°	≥ 80	-25...+40	≥0.95	–	1.7 kg
TRUSYS FLEX P 70W 840 N CL WT	4058075771888	4000	40	04	60°	≥ 80	-25...+40	≥0.95	–	1.7 kg
TRUSYS FLEX P 70W 840 VN CL WT	4058075771925	4000	40	04	30°	≥ 80	-25...+40	≥0.95	–	1.7 kg
TRUSYS FLEX P 70W 840 DS CL WT	4058075771994	4000	40	04	2 x 30°	≥ 80	-25...+40	≥0.95	–	1.7 kg
TRUSYS FLEX P 70W 840 W OP WT	4058075772090	4000	40	04	90°	≥ 80	-25...+40	≥0.95	–	1.7 kg
TRUSYS FLEX P 70W 840 WW CL WT	4099854190957	4000	40	04	40°	≥ 80	-25...+40	≥0.95	–	1.7 kg
TRUSYS FLEX P RAIL 1500 5P WT	4058075781672	–	–	04	–	–	–	–	–	1.6 kg
TRUSYS FLEX P RAIL 1500 5P END WT	4058075781733	–	–	04	–	–	–	–	–	1.4 kg
TRUSYS FLEX P RAIL 3000 5P WT	4058075781757	–	–	04	–	–	–	–	–	3.0 kg
TRUSYS FLEX P RAIL 4500 5P WT	4058075793156	–	–	04	–	–	–	–	–	4.2 kg



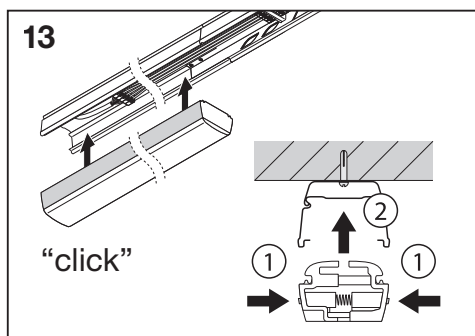
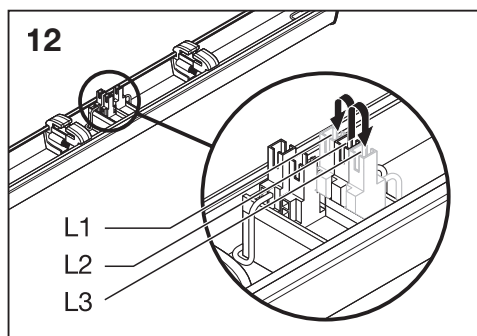
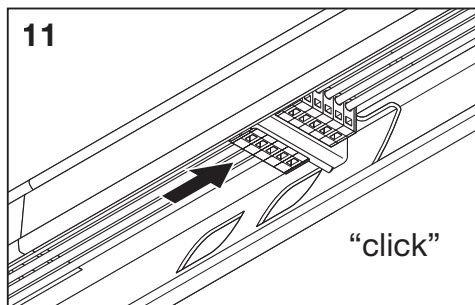
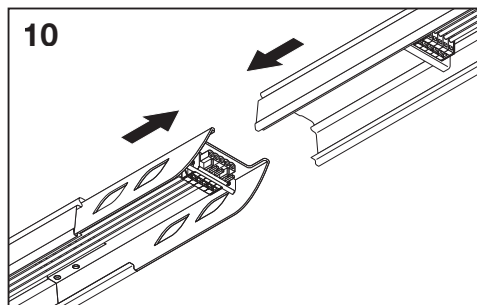
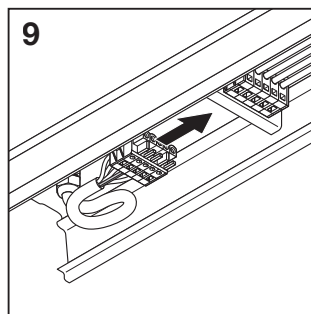
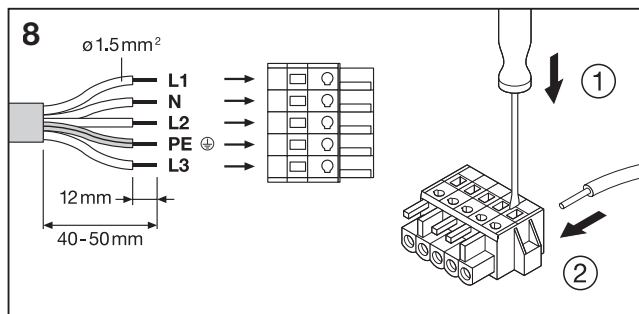
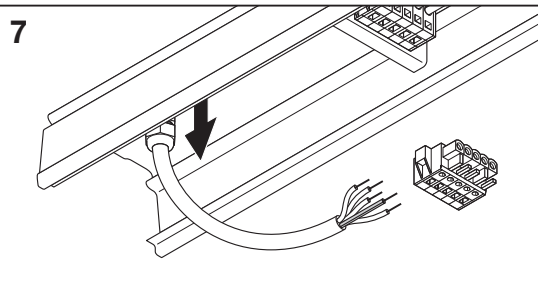
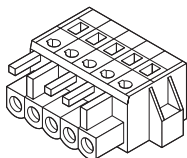
**TRUSYS FLEX  
SURFACE CLIP**  
EAN 4058075781894

2x

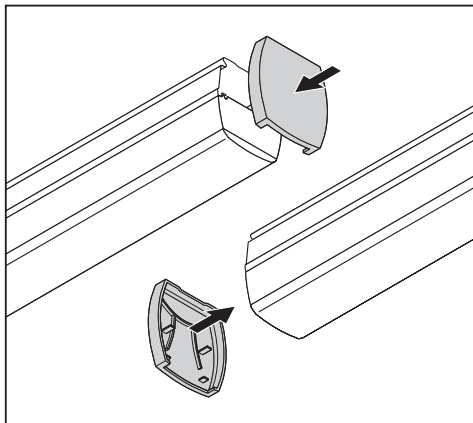
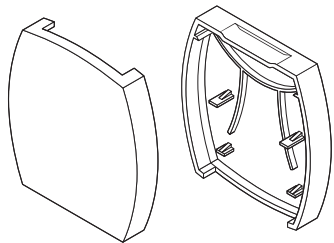




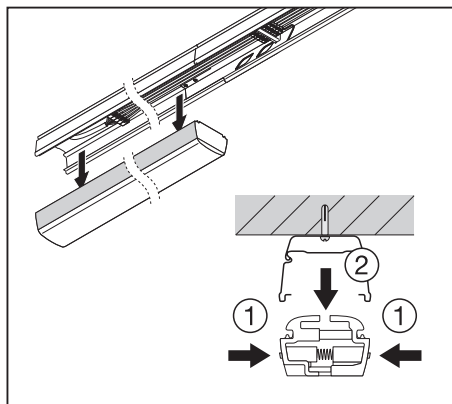
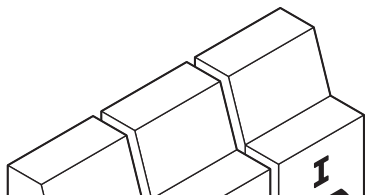
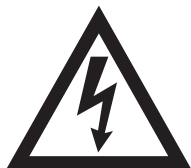
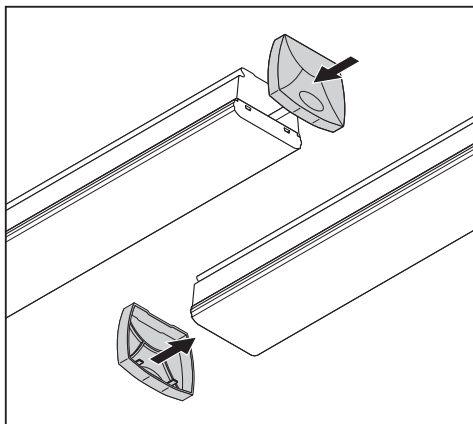
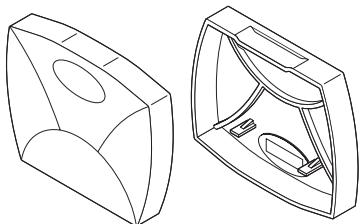
**TRUSYS FLEX FEED IN 5P**  
EAN 4058075781931



**TRUSYS FLEX**  
**END CAP RAIL WT**  
EAN 4058075781856

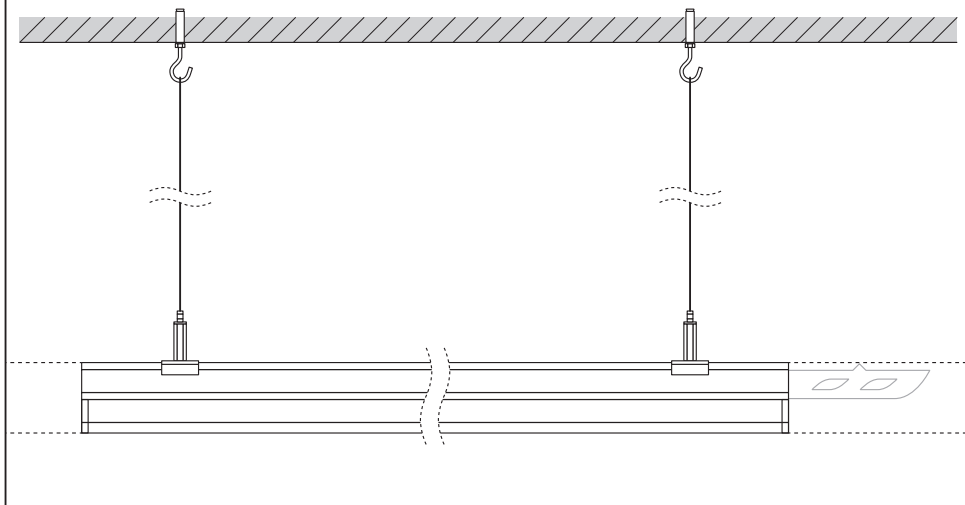
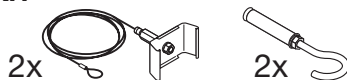


**TRUSYS FLEX**  
**END CAP LOW RAIL WT**  
EAN 4058075781870



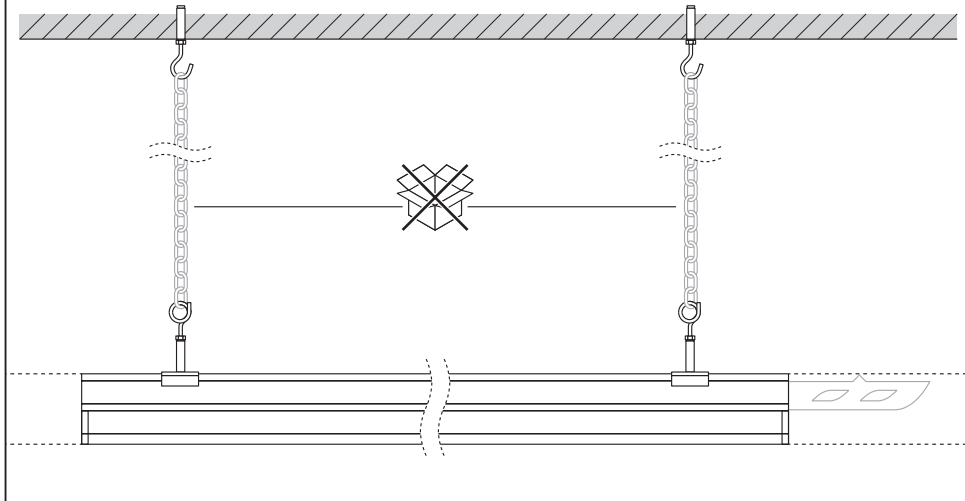
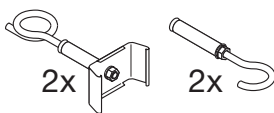
### TRUSYS FLEX SUSPENSION KIT

EAN 4058075781795



### TRUSYS FLEX CHAIN KIT

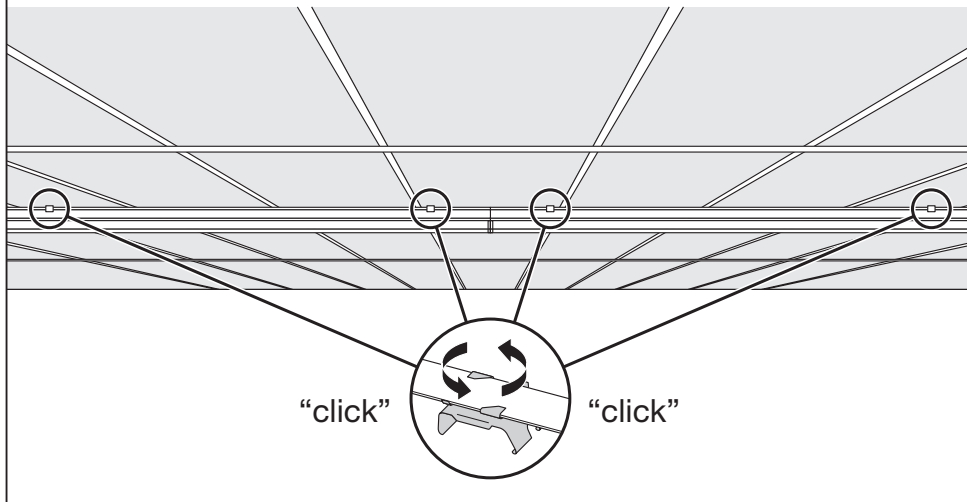
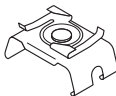
EAN 4058075781818



**TRUSYS FLEX GRID CEILING CLIP**

EAN 4058075781917

2x



**TRUSYS FLEX BLIND COVER WT**

EAN 4058118270828

**TRUSYS FLEX BLIND COVER 600 WT**

EAN 4099854193606

