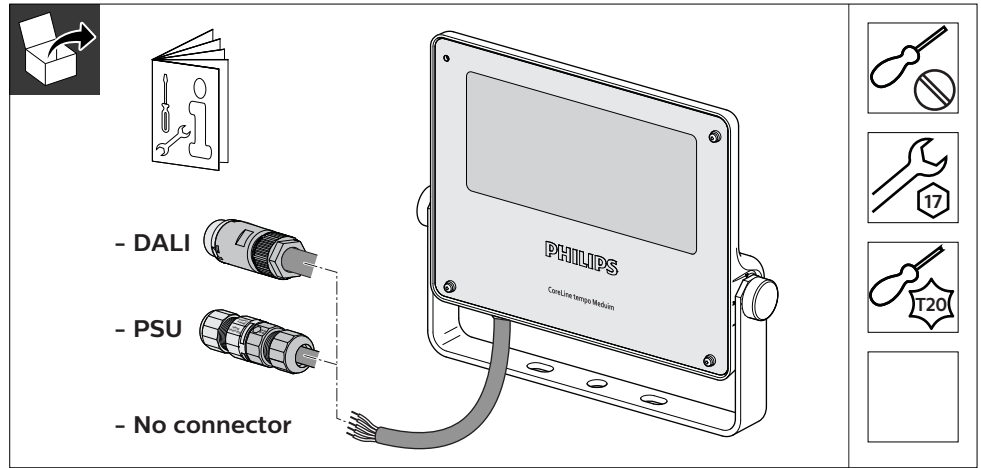


PHILIPS

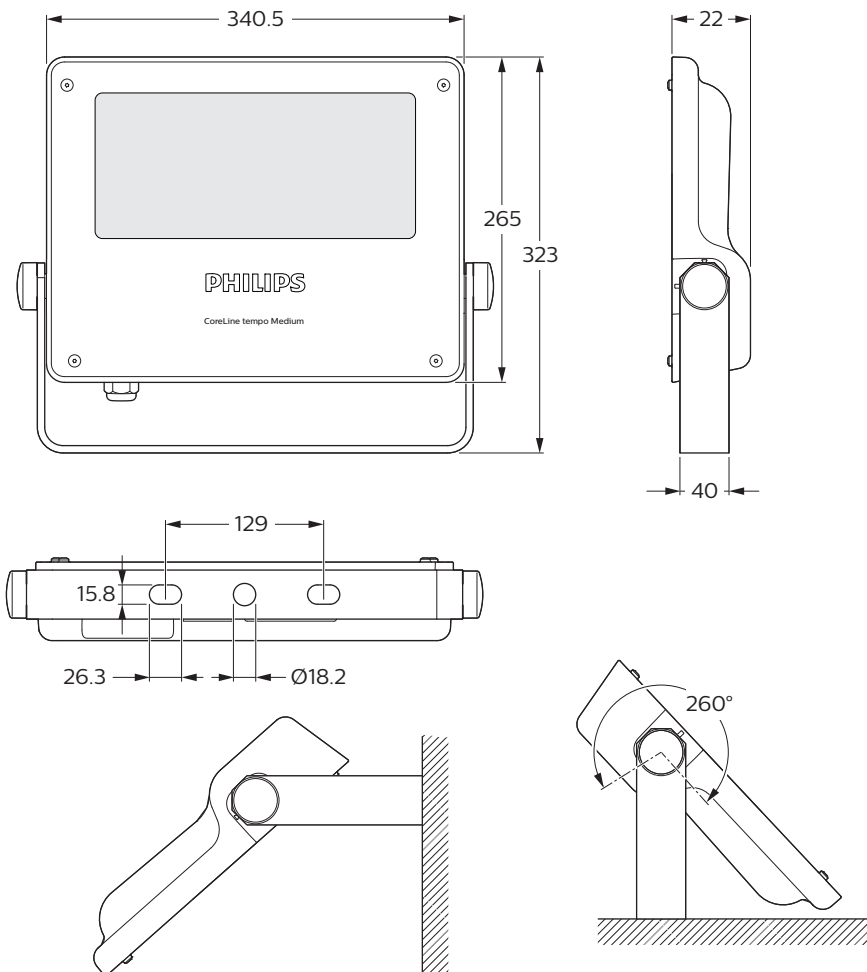
CoreLine tempo medium

BVP125

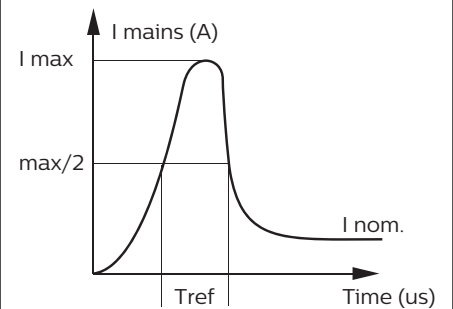


	Flux (lm)	Power (W)	Beam	m ²	kg
BVP125 LED120-4S/740 A	12000	93	Asymmetric	0.09	4.4
BVP125 LED80-4S/740 A	8000	60			
BVP125 LED120-4S/740 S	1200	93	Symmetric	0.09	4.4
BVP125 LED80-4S/740 S	8000	60			

Dimensions in mm



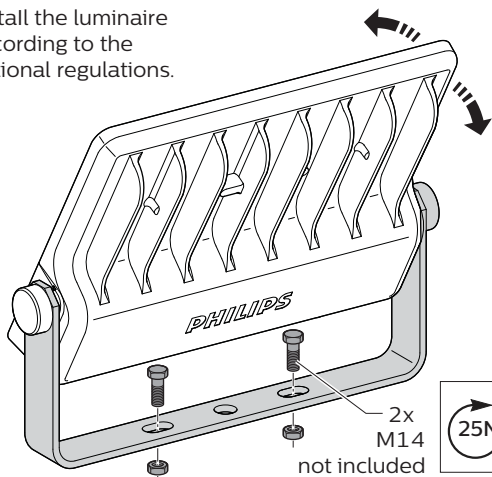
Inrush current



	LED120	LED80
Electrical characteristics		
I _{max} (A)	53	53
T _{ref} (μs)	300	300
Surge protection (kv)	6 (diff. mode) 8 (comm. mode)	
MCB	Max. luminaires	
B-10 A	4	4
B-13 A	4	4
B-16 A	4	4
B-20 A	8	8
B-25 A	12	12
C-10 A	8	8
C-13 A	10	10
C-16 A	13	13
C-20 A	16	16
C-25 A	20	20

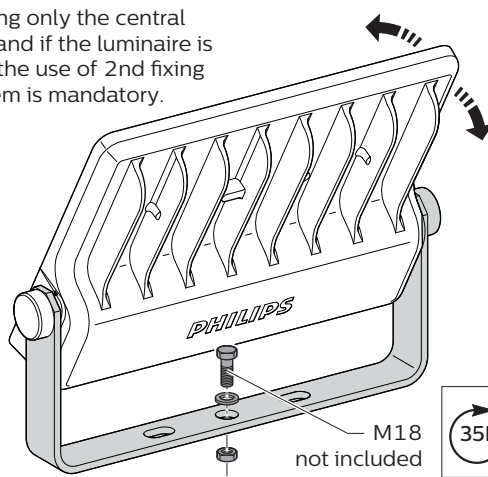


Install the luminaire according to the national regulations.



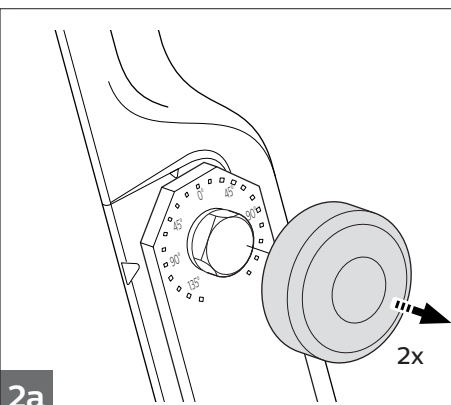
1a

In case of using only the central hole fixation and if the luminaire is higher >3 m, the use of 2nd fixing security system is mandatory.

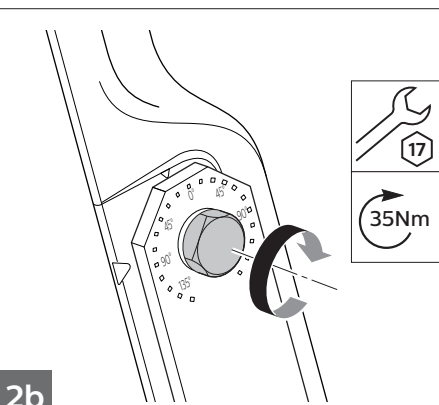


1b

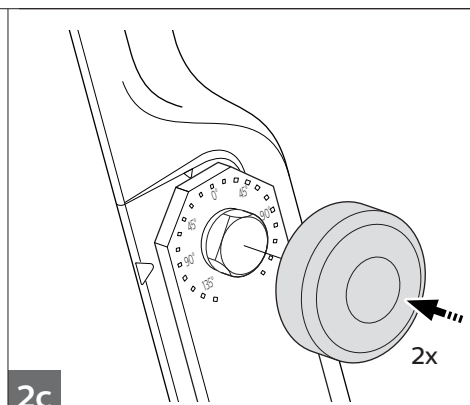
not included



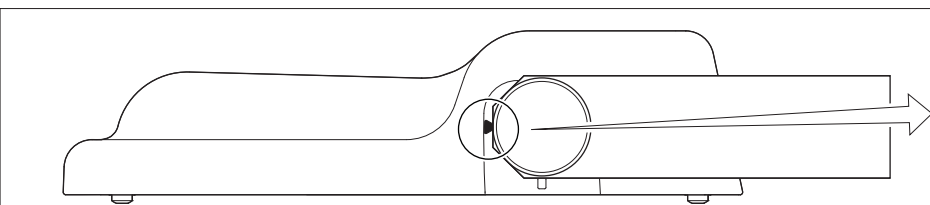
2a



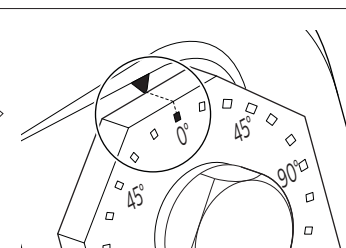
2b



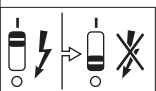
2c



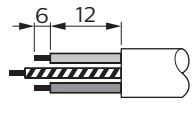
3a



PSU with 3 poles connector



Blue (N)
Yellow-Green (Ground)
Brown (L)

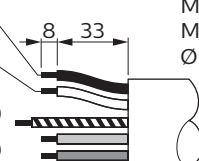


Min. 3x1,0 mm²
Max. 3x2,5 mm²
Ø 7-Ø 12 mm

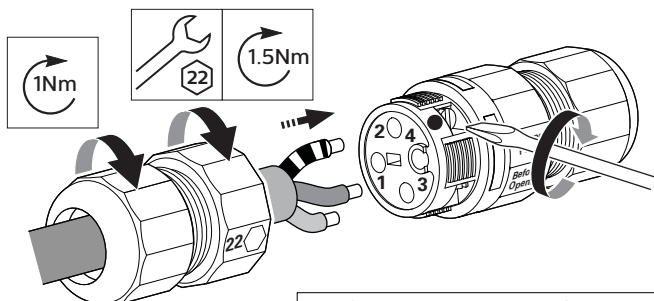
DALI with 5 poles connector



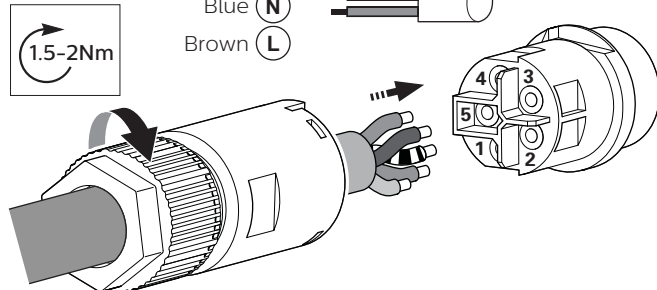
Black (+DA)
Grey (-DA)
Yellow-Green (Ground)
Blue (N)
Brown (L)



Min. 5x0,25 mm²
Max. 5x1,50 mm²
Ø 7-Ø 12 mm



3b



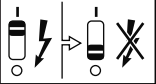
Connector position	PSU connector 3 poles	DALI connector 5 poles
1	-	N (blue)
2	L (brown)	DALI+ (black)
3	N (blue)	DALI- (grey)
4	ground (yellow/green)	L (brown)
5	-	ground (yellow/green)

No connector (L brown, N blue, GRD yellow/green, DALI- grey and DALI+ black)

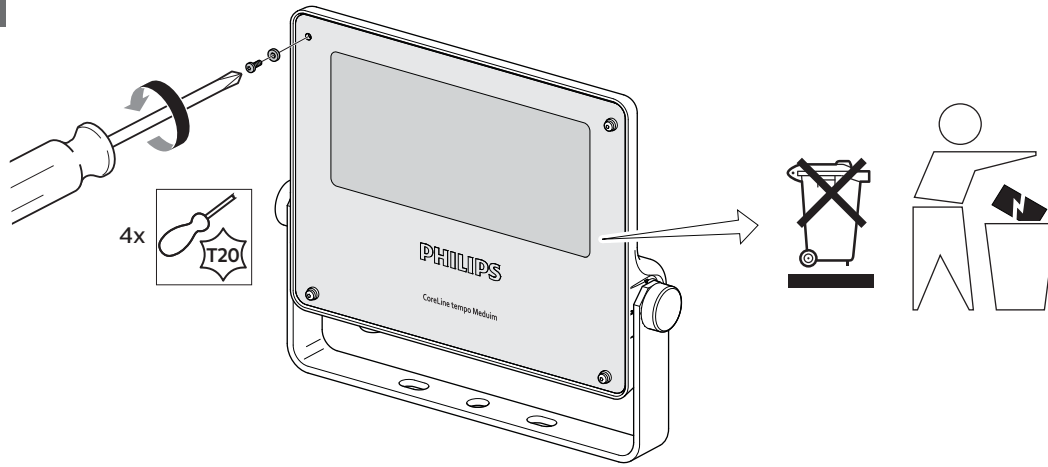




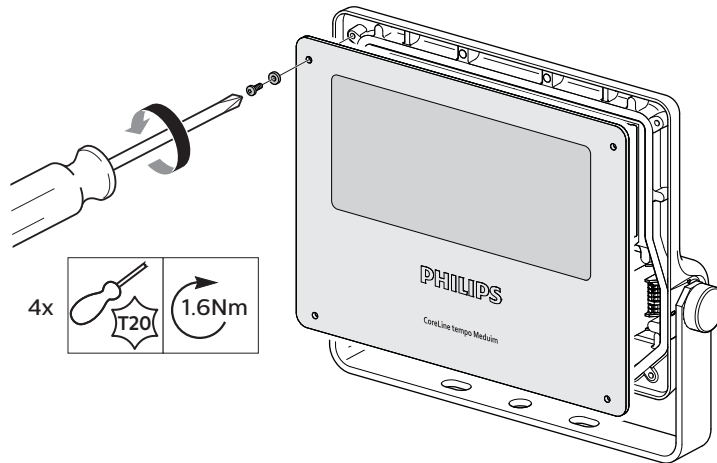
glass maintenance instruction.



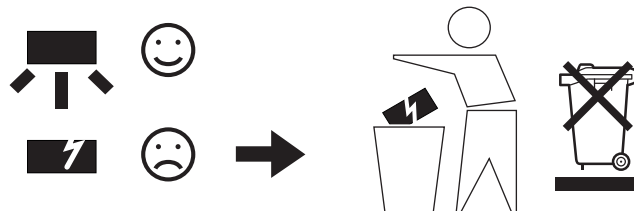
The luminaire power should be switched off before opening.



4a



4b



- The light source contained in this luminaire shall only be replaced by the manufacturer or his service agent or a similar qualified person.
- The luminaire shall be installed or maintained by a qualified electrician and wired in accordance with the latest IEE electrical regulations or the national requirements.
- If the external flexible cable or cord of this luminaire is damaged, it shall be exclusively replaced by the manufacturer or his service agent or a similar qualified person in order to avoid a hazard.
- Outdoor use only.



© 2017 Philips Lighting Holding B.V.

All rights reserved. Reproduction in whole or in part is prohibited without the prior written consent of the copyright owner. The information presented in this document does not form part of any quotation or contract, is believed to be accurate and reliable and may be changed without notice. No liability will be accepted by the publisher for any consequence of its use. Publication thereof does not convey nor imply any license under patent- or other industrial or intellectual property rights.

Philips Lighting Holding B.V.
The Netherlands