



19" Hanging racks, height 4U/6U/9U/18U

CCSW series

Economic line of hanging racks for application in small and medium-size teleinformatic and security installations. CCSW racks can also be used for the construction of local distribution points of low-density cabling. In standard - products of this series require self-assembly. In exchange, it offers elastic logistic and low transportation costs, while maintaining functionality, characteristic for classic racks, delivered in traditional form. Construction of all racks of CCSW series was designed in the view of the smallest details to provide a high level of safety and convenience during its exploitation.

Key features:



Regulated mounting rails suited for grounding installation and equipped in size scale, providing fast and successful adjustment of the whole frame to the requested scenario of devices or accessories montage.



Access to devices from all around the rack. Covers, panels, and doors are equipped with securing locks protecting racks devices from unauthorised integration of third parties.



The special perforation of elements providing efficient air circulation to lower the temperature inside the rack. In the case of devices with high heat emission, an equipping rack with a dedicated ventilation panel is possible, increasing the efficiency of cooling.



Construction elements of the rack are equipped with grounding wires which provides a possibility for connecting it to the buildings grounding installation, providing safe and correct operation of devices installed in the rack.



Dedicated mounting bracket providing fast and safe hanging the rack on the wall. Installer levels only the bracket, without the need for holding the whole rack.



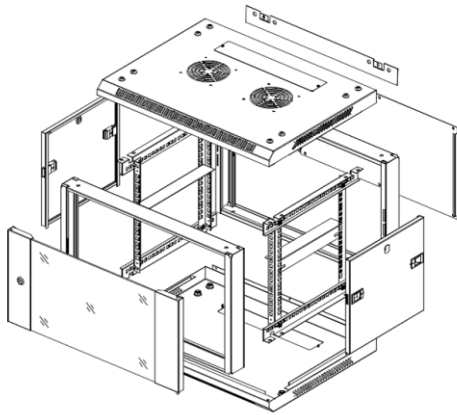
Two dedicated brush glands and one blanking panel for montage on the top or floor of a rack, are included in the kit.



Construction of the top and floor of the rack was designed to eliminate the possibility of screws to penetrate it.

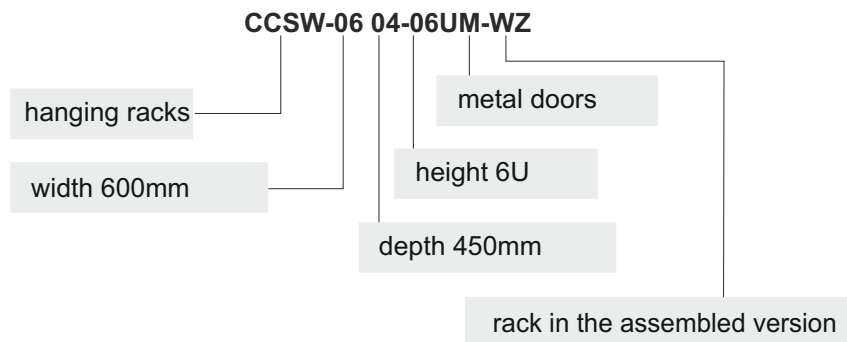


Possibility of installation of metal doors available in the offer of C&C Partners



Number	Name	Ilość
1	Frame	2
2	Horizontal support bracket	4
3	Vertical rail	4
4	Top cover	1
5	Floor cover	1
6	Front doors	1
7	Backside panel	1
8	Side panel	2
9	Mounting bracket	1
10	Mounting support bracket	2
11	Brush glade	2
12	Blanking plate	1

Symbol definition:



Model		Capacity (U)	Size (width x depth x height (mm))
Self-assembly rack	Assembled rack		
-	CCSW-0604-4U	4	600*450*282 (available only in assembled version)
-	CCSW-0604-4UM (metal doors)	4	600*450*282 (available only in assembled version)
CCSW-0604-06U	CCSW-0604-06U-WZ	6	600*450*370
CCSW-0605-06U	CCSW-0605-06U-WZ	6	600*500*370
CCSW-0606-06U	CCSW-0606-6U-WZ	6	600*600*370
CCSW-0606-09U	CCSW-0606-09U-WZ	9	600*600*500
CCSW-0604-09U	CCSW-0604-09U-WZ	9	600*450*500
CCSW-0606-12U	CCSW-0606-12U-WZ	12	600*600*635
CCSW-0604-12U	CCSW-0604-12U-WZ	12	600*450*635
CCSW-0606-15U	CCSW-0606-15U-WZ	15	600*600*770
CCSW-0604-15U	CCSW-0604-15U-WZ	15	600*400*770
CCSW-0606-18U	CCSW-0606-18U-WZ	18	600*600*905
CCSW-0604-18U	CCSW-0604-18U-WZ	18	600*450*905

Optional accessories:

CCAS-PW2-060XW	Ventilation panel for CCSW racks series (2 fans)
CCAS-PZ-01U	Blanking panel 1U for CCSS and CCSW racks series
CCAS-PZ-02U	Blanking panel 2U for CCSS and CCSW rack series
CCAS-PP-01U	Sorting panel 1U for CCSS and CCSW rack series
CCAS-PP-02U	Sorting panel 2U for CCSS and CCSW rack series
CCAS-P-300	Solid shelf of depth 300mm for CCSW racks series
CCAS-P-250	Solid shelf of depth 250mm for CCSW racks series
CCAS-PS-01U	Brush glad 1U for CCSS and CCSW racks series
CCAS-ZMM6-50	M6 mounting kit (50 sets)
BTHERMOST	Thermostat
CCSW-060X-FD-6U	Metal doors E type without a lock 600 x 6U
CCSW-060X-FD-9U	Metal doors E type without a lock 600 x 9U
CCSW-060X-FD-12U	Metal doors E type without a lock 600 x 12U
CCSW-060X-FD-18U	Metal doors E type without a lock 600 x 18U

Additional information:

Maximum load – 60kg

Material – SPCC cold rolled steel

Colour – RAL9005

There is a possibility of buying hanging rack in an assembled version.