

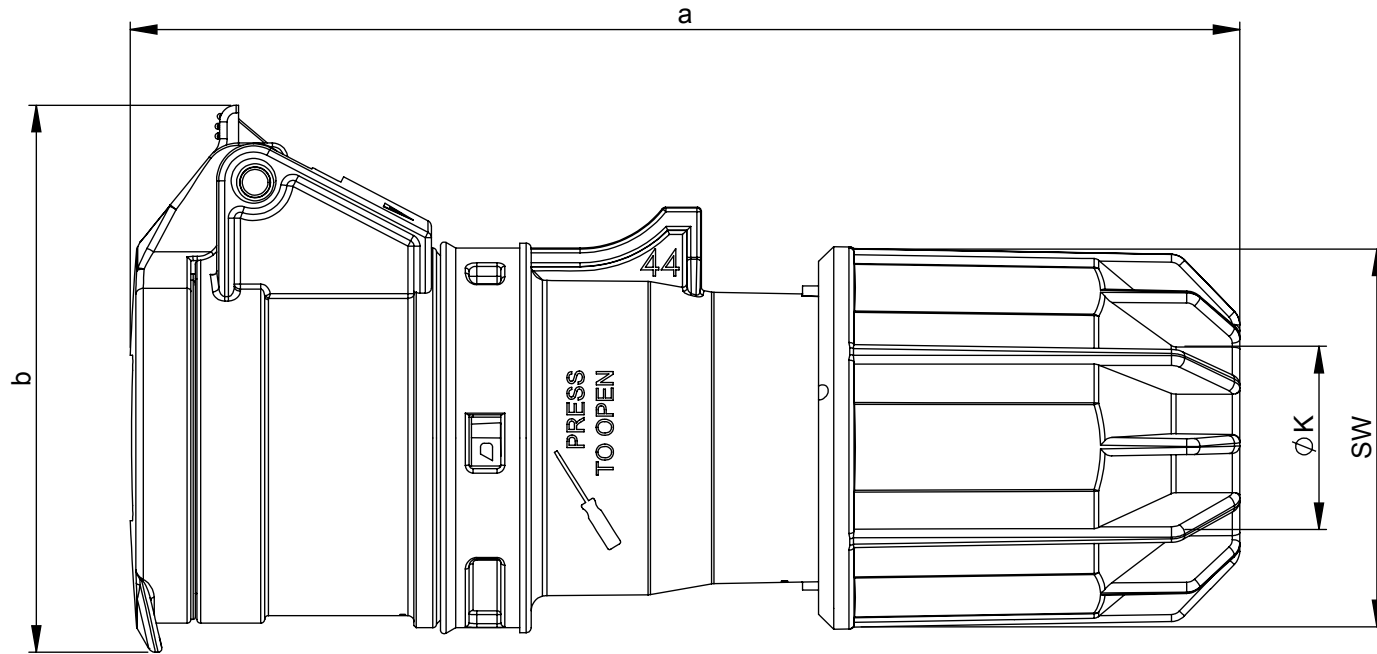
Maßskizze / dimensional drawing

Benennung: Kupplung IP44 Kleinspannung

description: Connector IP44 extra low voltage

Teilenummer / part number: 262*, 263*, 272*, 273*, 282*, 283*, 292*, 293*

PCE



Ampere	16		32	
Pole	2	3	2	3
a [mm]	150	150	150	150
b [mm]	75	75	75	75
K [mm]	9,5-24	9,5-24	9,5-24	9,5-24
SW [mm]	48	48	48	48