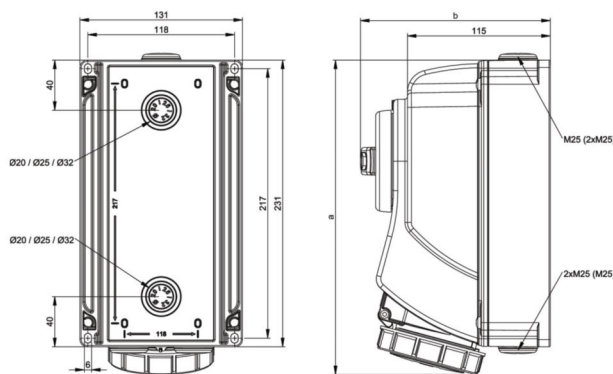


PCE data sheet

| | |
|---------------------|--|
| article# | 75252-9 |
| article description | CEE-switched interlocked socket 32A 5p 9h IP66/IP67 |
| description long | CEE-switched interlocked socket 32A 5p 9h IP66/IP67 housing material: PC/ABS rated current: 32A number of poles: 5 (3P+N+PE) clock-position: 9h rated voltage/frequency: 120/208V~ - 144/250V~ / 50+60Hz contacts: brass nickel plated connection technology: screw terminals wall mounting, mechanical interlock switch: ON/OFF PCE-Merz MLO; EN 60947-3; AC22A, 10kA cable entry: top, bottom or rear (incl. threaded blind cap) IP protection class: IP66/IP67 |
| GTIN (EAN) | 9003399162268 |
| country of origin | AT |
| customs number | 85366990 |
| net weight | 1.206 kg |
| packaging quantity | 1 |

| | |
|---------------------------|---------------------------|
| ETIM 7.0 | EC001324 |
| IEC-amperage | 32 A |
| Number of poles | 5 |
| Voltage acc. EN 60309-2 | 200-250 V (50+60 Hz) blue |
| Clock hour position | 9 h |
| Identification colour | Blue |
| Degree of protection (IP) | IP67 |
| Switch | Mechanical locking |
| Material housing | Plastic |
| Model | Base unit and cover |
| Contact material | CuZn |
| Surface finish contacts | Nickel-plated |

| | |
|---------------|------------------------|
| wire flexible | 2,5-6 mm ² |
| wire solid | 2,5-10 mm ² |



www.manufacturer-safety.info