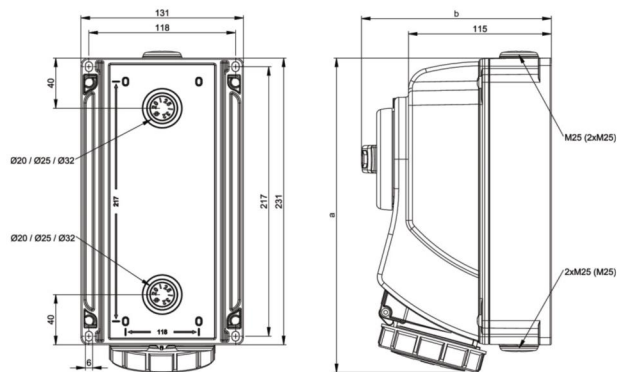


PCE data sheet

article#	75152-9
article description	CEE-switched interlocked socket 16A 5p 9h IP66/IP67
description long	CEE-switched interlocked socket 16A 5p 9h IP66/IP67 housing material: PC/ABS rated current: 16A number of poles: 5 (3P+N+PE) clock-position: 9h rated voltage/frequency: 120/208V~ - 144/250V~ / 50+60Hz contacts: brass nickel plated connection technology: screw terminals wall mounting, mechanical interlock switch: ON/OFF PCE-Merz MLO; EN 60947-3; AC22A, 10kA cable entry: top, bottom or rear (incl. threaded blind cap) IP protection class: IP66/IP67
GTIN (EAN)	9003399162251
country of origin	AT
customs number	85366990
net weight	1.114 kg
packaging quantity	1

ETIM 7.0	EC001324
IEC-amperage	16 A
Number of poles	5
Voltage acc. EN 60309-2	200-250 V (50+60 Hz) blue
Clock hour position	9 h
Identification colour	Blue
Degree of protection (IP)	IP67
Switch	Mechanical locking
Material housing	Plastic
Model	Base unit and cover
Contact material	CuZn
Surface finish contacts	Nickel-plated

wire flexible	1,5-2,5 mm ²
wire solid	1,5-4 mm ²



www.manufacturer-safety.info