

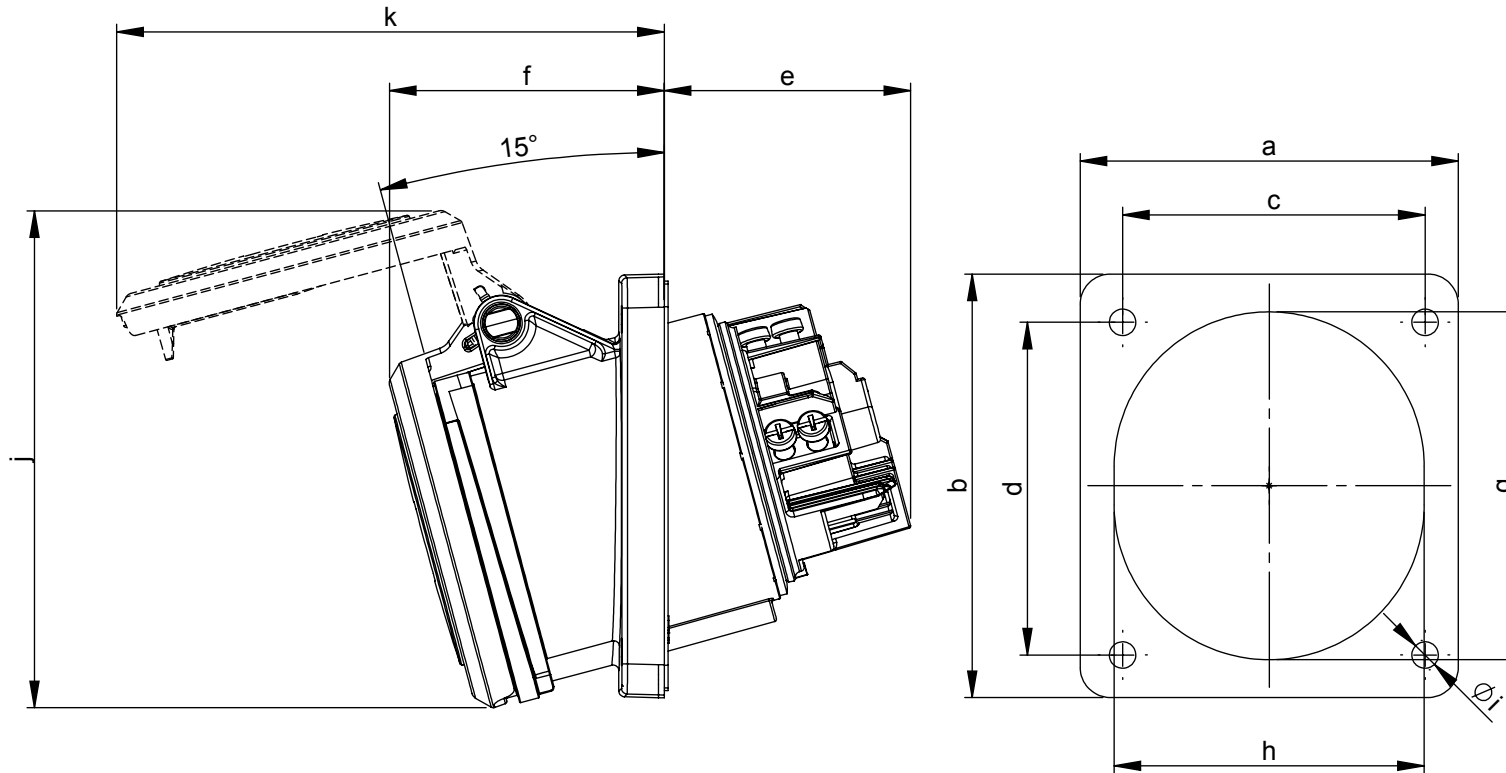
Maßskizze / dimensional drawing

Benennung: Anbausteckdose schräg 63A IP44 100x112 POWERTWIST

description: Flanged socket sloping 63A IP44 100x112 POWERTWIST

Teilenummer / part number: 4331-*, 4341-*, 4351-*

PCE



Ampere	63		
Pole	3	4	5
a [mm]	100	100	100
b [mm]	112	112	112
c [mm]	80	80	80
d [mm]	88	88	88
e [mm]	64	64	64
f [mm]	74	74	74
g [mm]	92	92	92
h [mm]	82	82	82
i [mm]	7	7	7
j [mm]	132	132	132
k [mm]	146	146	146