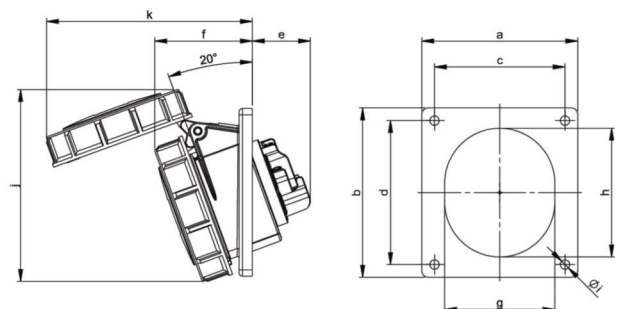


PCE data sheet

| | |
|---------------------|--|
| article# | 4252-7 |
| article description | CEE-flanged socket sloping (92x100mm) 32A 5p 7h IP67 |
| description long | CEE-flanged socket sloping (92x100mm) 32A 5p 7h IP67 housing material: PA6 rated current: 32A number of poles: 5 (3P+N+PE) clock-position: 7h rated voltage/frequency: 277/480V~ - 288/500V~ / 50+60Hz contacts: brass connection technology: screw terminals dimensions (flange/fixing center): 92x100 mm / 77x85 mm IP protection class: IP67 |
| GTIN (EAN) | 9003399140426 |
| country of origin | AT |
| customs number | 85366990 |
| net weight | 0.280 kg |
| packaging quantity | 10 |

| | |
|--------------------------------|------------------------|
| ETIM 7.0 | EC001317 |
| IEC-amperage | 32 A |
| Voltage acc. EN 60309-2 | 500 V (50+60 Hz) black |
| Number of poles | 5 |
| Clock hour position | 7 h |
| Identification colour | Black |
| Degree of protection (IP) | IP67 |
| Connection system | Screwed terminal |
| Angle of plug | Angled |
| Material | Plastic |
| Contact material | CuZn |
| Surface finish contacts | Untreated |
| Flange size vertical | 100 mm |
| Drill hole distance vertical | 85 mm |
| Flange size horizontal | 92 mm |
| Drill hole distance horizontal | 77 mm |

| | |
|--------------------|------------------------|
| wire flexible | 2,5-6 mm ² |
| wire solid | 2,5-10 mm ² |
| contact screws | 110 Ncm |
| dismantling length | 50 mm |
| stripping length | 12-14 mm |



www.manufacturer-safety.info