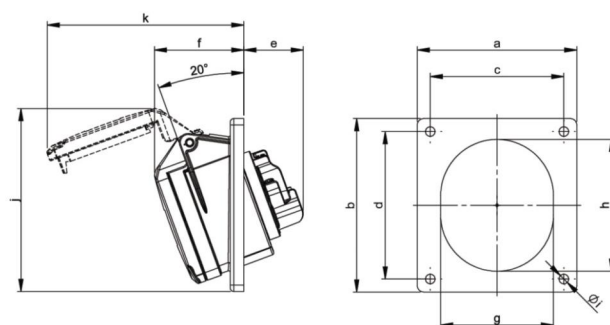


# PCE data sheet

|                     |   |
|---------------------|---|
| article#            | <b>424-7f9</b>  |
| article description | <b>CEE-flanged socket sloping (92x100mm) 32A 4p 7h IP44</b>   |
| description long    | CEE-flanged socket sloping (92x100mm) 32A4p 7h IP44<br>housing material: PA6<br>rated current: 32A<br>number of poles: 4 (3P+PE)<br>clock-position: 7h<br>rated voltage/frequency: 480-500V~ / 50+60Hz<br>contacts: brass<br>connection technology: screw terminals<br>dimensions (flange/fixing center): 92x100 mm / 77x85 mm<br>IP protection class: IP44 |
| GTIN (EAN)          | 9003399139963   |
| country of origin   | AT  |
| customs number      | 85366990  |
| net weight          | 0.198 kg  |
| packaging quantity  | 10  |

|                                |                        |
|--------------------------------|------------------------|
| ETIM 7.0                       | EC001317               |
| IEC-amperage                   | 32 A                   |
| Voltage acc. EN 60309-2        | 500 V (50+60 Hz) black |
| Number of poles                | 4                      |
| Clock hour position            | 7 h                    |
| Identification colour          | Black                  |
| Degree of protection (IP)      | IP44                   |
| Connection system              | Screwed terminal       |
| Angle of plug                  | Angled                 |
| Material                       | Plastic                |
| Contact material               | CuZn                   |
| Surface finish contacts        | Untreated              |
| Flange size vertical           | 100 mm                 |
| Drill hole distance vertical   | 85 mm                  |
| Flange size horizontal         | 92 mm                  |
| Drill hole distance horizontal | 77 mm                  |

|                    |                        |
|--------------------|------------------------|
| wire flexible      | 2,5-6 mm <sup>2</sup>  |
| wire solid         | 2,5-10 mm <sup>2</sup> |
| contact screws     | 110 Ncm                |
| dismantling length | 50 mm                  |
| stripping length   | 12-14 mm               |



[www.manufacturer-safety.info](http://www.manufacturer-safety.info)