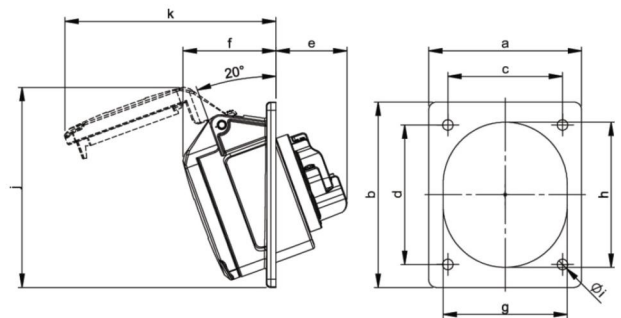
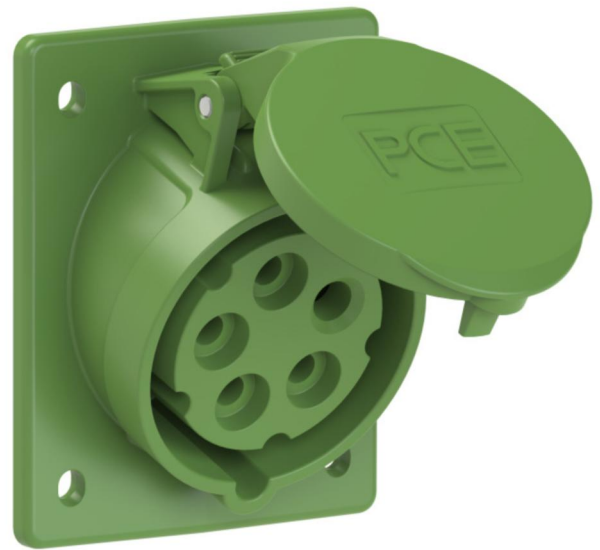


PCE data sheet

article#	415-2
article description	CEE-flanged socket sloping (80x97mm) 16A 5p 2h IP44/IP54
description long	CEE-flanged socket sloping (80x97mm) 16A 5p 2h IP44/IP54 housing material: PA6 rated current: 16A number of poles: 5 (3P+N+PE) clock-position: 2h rated voltage/frequency: >50V~ / 300-500Hz contacts: brass connection technology: screw terminals dimensions (flange/fixing center): 80x97 mm / 60x73 mm IP protection class: IP44/IP54
GTIN (EAN)	9003399736292
country of origin	AT
customs number	85366990
net weight	0.154 kg
packaging quantity	10

ETIM 7.0	EC001317
IEC-amperage	16 A
Voltage acc. EN 60309-2	50-500 V (>300-500 Hz) green
Number of poles	5
Clock hour position	2 h
Identification colour	Green
Degree of protection (IP)	IP44
Connection system	Screw terminal
Angle of plug	Angled
Material	Plastic
Contact material	CuZn
Surface finish contacts	Untreated
Flange size vertical	97 mm
Drill hole distance vertical	73 mm
Flange size horizontal	80 mm
Drill hole distance horizontal	60 mm

wire flexible	1-2,5 mm ²
wire solid	1-4 mm ²
contact screws	100 Ncm
dismantling length	50 mm
stripping length	10-12 mm



www.manufacturer-safety.info