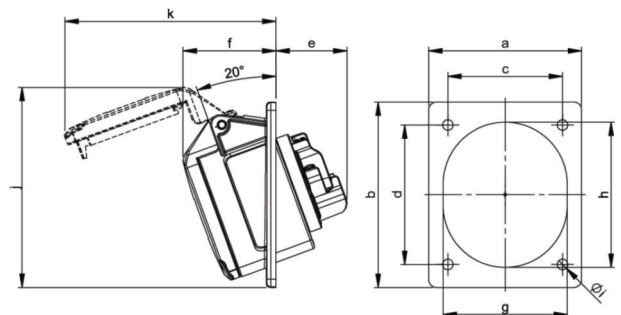
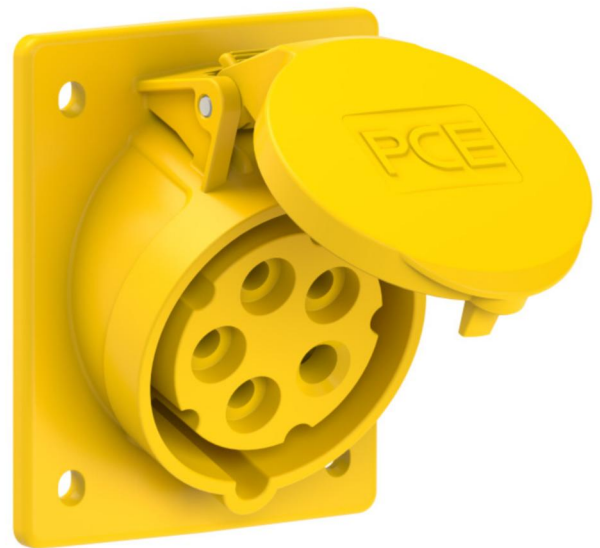


PCE data sheet

| | |
|---------------------|--|
| article# | 415-4 |
| article description | CEE-flanged socket sloping (80x97mm) 16A 5p 4h IP44/IP54 |
| description long | CEE-flanged socket sloping (80x97mm) 16A 5p 4h IP44/IP54 housing material: PA6 rated current: 16A number of poles: 5 (3P+N+PE) clock-position: 4h rated voltage/frequency: 57/100V~ - 75/130V~ / 50+60Hz contacts: brass connection technology: screw terminals dimensions (flange/fixing center): 80x97 mm / 60x73 mm IP protection class: IP44/IP54 |
| GTIN (EAN) | 9003399852879 |
| country of origin | AT |
| customs number | 85366990 |
| net weight | 0.154 kg |
| packaging quantity | 10 |

| | |
|--------------------------------|-------------------------|
| ETIM 7.0 | EC001317 |
| IEC-amperage | 16 A |
| Voltage acc. EN 60309-2 | 110 V (50+60 Hz) yellow |
| Number of poles | 5 |
| Clock hour position | 4 h |
| Identification colour | Yellow |
| Degree of protection (IP) | IP44 |
| Connection system | Screw terminal |
| Angle of plug | Angled |
| Material | Plastic |
| Contact material | CuZn |
| Surface finish contacts | Untreated |
| Flange size vertical | 97 mm |
| Drill hole distance vertical | 73 mm |
| Flange size horizontal | 80 mm |
| Drill hole distance horizontal | 60 mm |

| | |
|--------------------|-----------------------|
| wire flexible | 1-2,5 mm ² |
| wire solid | 1-4 mm ² |
| contact screws | 100 Ncm |
| dismantling length | 50 mm |
| stripping length | 10-12 mm |



www.manufacturer-safety.info