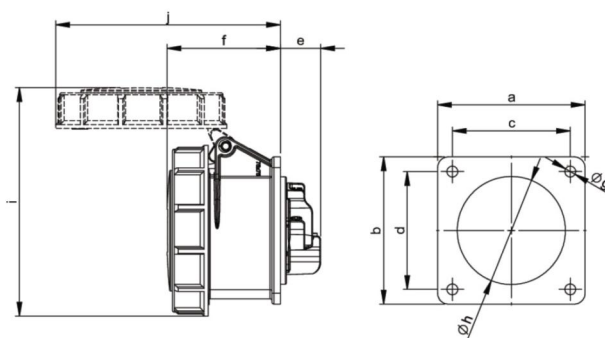


PCE data sheet

article#	3232-6v
article description	CEE-flanged socket straight (75x75mm) 32A 3p 6h IP67
description long	CEE-flanged socket straight (75x75mm) 32A 3p 6h IP67 housing material: PA6 rated current: 32A number of poles: 3 (2P+PE) clock-position: 6h rated voltage/frequency: 200-250V~ / 50+60Hz contacts: brass nickel plated connection technology: screw terminals dimensions (flange/fixing center): 75x75 mm / 60x60 mm IP protection class: IP67
GTIN (EAN)	9003399142932
country of origin	AT
customs number	85366990
net weight	0.206 kg
packaging quantity	10

ETIM 7.0	EC001317
IEC-amperage	32 A
Voltage acc. EN 60309-2	230 V (50+60 Hz) blue
Number of poles	3
Clock hour position	6
Identification colour	Blue
Degree of protection (IP)	IP67
Connection system	Screwed terminal
Angle of plug	Straight
Material	Plastic
Contact material	CuZn
Surface finish contacts	Nickel-plated
Flange size vertical	75 mm
Drill hole distance vertical	60 mm
Flange size horizontal	75 mm
Drill hole distance horizontal	60 mm

wire flexible	2,5-6 mm ²
wire solid	2,5-10 mm ²
contact screws	110 Ncm
dismantling length	50 mm
stripping length	12-14 mm



www.manufacturer-safety.info