

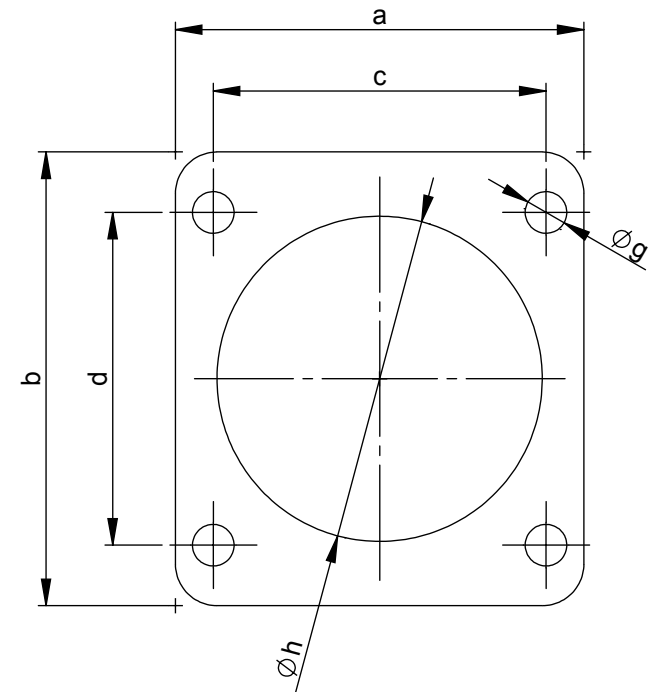
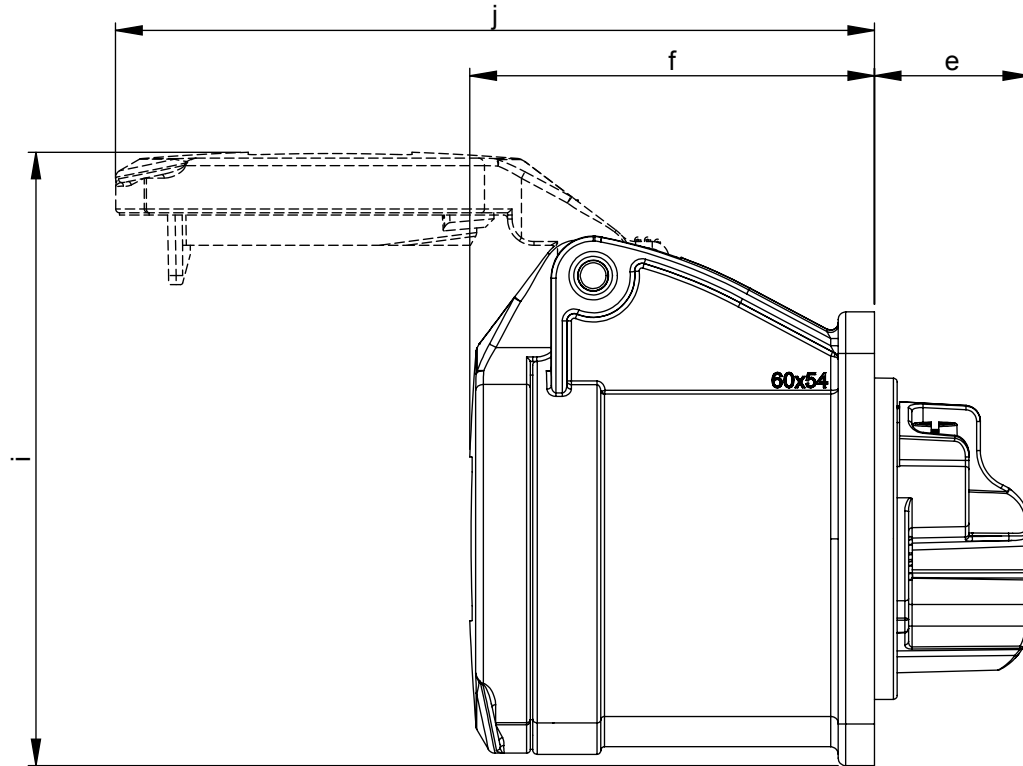
Maßskizze / dimensional drawing

Benennung: Anbausteckdose gerade IP44/54 60x54

description: Flanged socket straight IP44/54 60x54

Teilenummer / part number: 313-*f9

PCE



| Ampere | 16 | | |
|------------|-----|---|---|
| Pole | 3 | 4 | 5 |
| a [mm] | 54 | - | - |
| b [mm] | 60 | - | - |
| c x d [mm] | 44 | - | - |
| e [mm] | 21 | - | - |
| f [mm] | 55 | - | - |
| g [mm] | 5,5 | - | - |
| h [mm] | 43 | - | - |
| i [mm] | 82 | - | - |
| j [mm] | 101 | - | - |