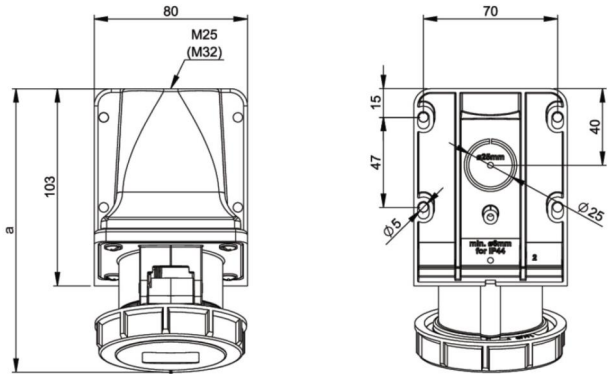


PCE data sheet

| | |
|---------------------|--|
| article# | 1152-6v |
| article description | CEE-wall mounted socket 16A 5p 6h IP67 |
| description long | CEE-wall mounted socket 16A 5p 6h IP67 housing material: PA6 rated current: 16A number of poles: 5 (3P+N+PE) clock-position: 6h rated voltage/frequency: 200/346V~ - 240/415V~ / 50+60Hz contacts: brass nickel plated connection technology: screw terminals cable entry: top and rear incl. threaded cable gland IP protection class: IP67 |
| GTIN (EAN) | 9003399143755 |
| country of origin | AT |
| customs number | 85366990 |
| net weight | 0.275 kg |
| packaging quantity | 5 |

| | |
|---------------------------|---------------------------|
| ETIM 7.0 | EC001321 |
| Model | Surface mounted (plaster) |
| IEC-amperage | 16 A |
| Number of poles | 5 |
| Voltage acc. EN 60309-2 | 400 V (50+60 Hz) red |
| Clock hour position | 6 h |
| Identification colour | Red |
| RAL-number | |
| Degree of protection (IP) | IP67 |
| Connection system | Screwed terminal |
| Cable entry | Swivel |
| Material | Plastic |
| Contact material | CuZn |
| Surface finish contacts | Nickel-plated |
| Type of fastening | External mounting |

| | |
|--------------------|-----------------------|
| wire flexible | 1-2,5 mm ² |
| wire solid | 1-4 mm ² |
| contact screws | 100 Ncm |
| dismantling length | 50 mm |
| stripping length | 10-12 mm |



www.manufacturer-safety.info