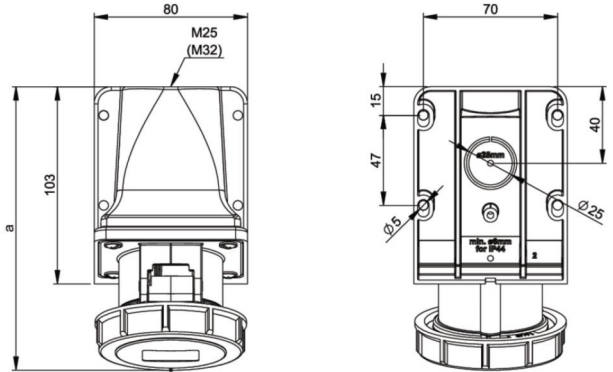


PCE data sheet

|                     |  |
|---------------------|--|
| article#            | <b>1132-9v</b>   |
| article description | <b>CEE-wall mounted socket 16A 3p 9h IP67</b>  |
| description long    | CEE-wall mounted socket 16A 3p 9h IP67<br>housing material: PA6<br>rated current: 16A<br>number of poles: 3 (2P+PE)<br>clock-position: 9h<br>rated voltage/frequency: 380-415V~ / 50+60Hz<br>contacts: brass nickel plated<br>connection technology: screw terminals<br>cable entry: top and rear<br>incl. threaded cable gland<br>IP protection class: IP67 |
| GTIN (EAN)          | 9003399070051  |
| country of origin   | AT   |
| customs number      | 85366990   |
| net weight          | 0.226 kg   |
| packaging quantity  | 5  |

|                           |                           |
|---------------------------|---------------------------|
| ETIM 7.0                  | EC001321                  |
| Model                     | Surface mounted (plaster) |
| IEC-amperage              | 16 A                      |
| Number of poles           | 3                         |
| Voltage acc. EN 60309-2   | 380-415 V (50+60 Hz) red  |
| Clock hour position       | 9 h                       |
| Identification colour     | Red                       |
| RAL-number                |                           |
| Degree of protection (IP) | IP67                      |
| Connection system         | Screwed terminal          |
| Cable entry               | Swivel                    |
| Material                  | Plastic                   |
| Contact material          | CuZn                      |
| Surface finish contacts   | Nickel-plated             |
| Type of fastening         | External mounting         |

|                    |                       |
|--------------------|-----------------------|
| wire flexible      | 1-2,5 mm <sup>2</sup> |
| wire solid         | 1-4 mm <sup>2</sup>   |
| contact screws     | 100 Ncm               |
| dismantling length | 50 mm                 |
| stripping length   | 10-12 mm              |



[www.manufacturer-safety.info](http://www.manufacturer-safety.info)