

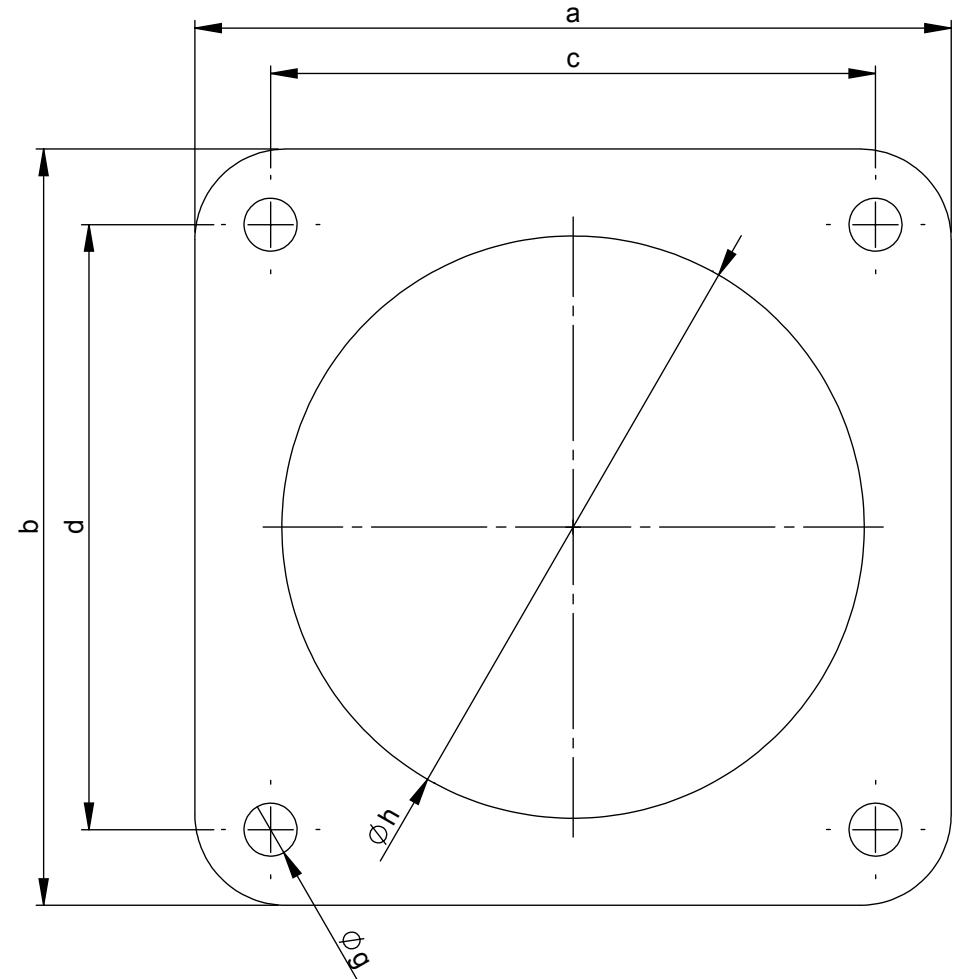
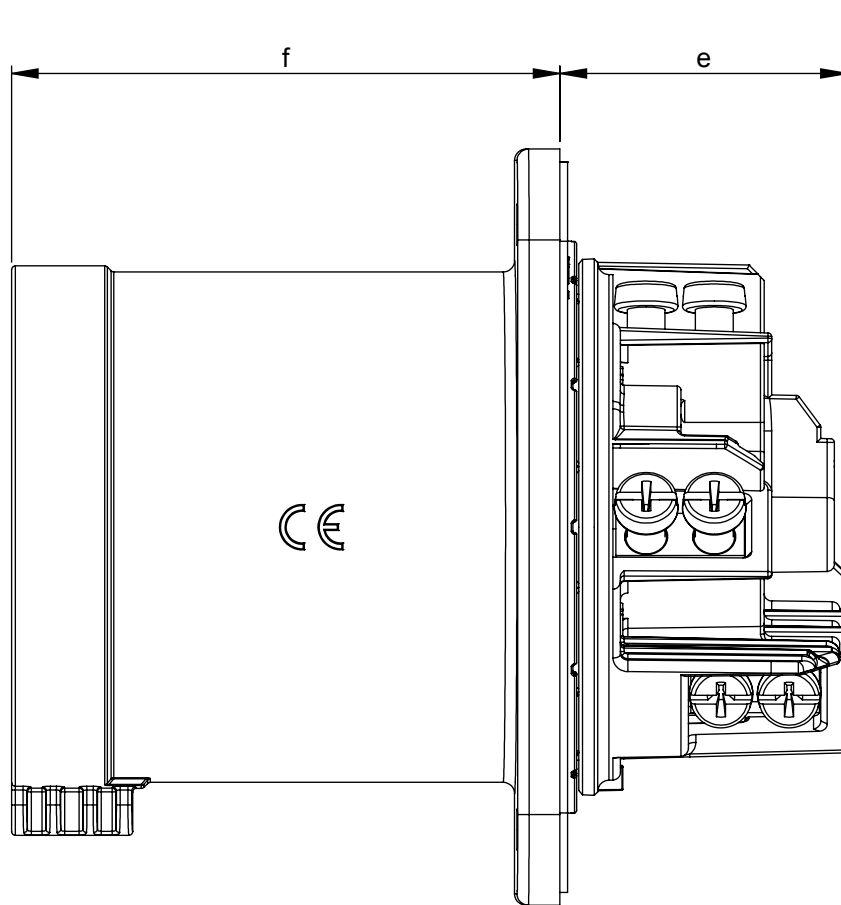
Maßskizze / dimensional drawing

Benennung: **Anbaugerätestecker gerade 63A IP44 POWERTWIST**

description: **Flanged plug straight 63A IP44 POWERTWIST**

Teilenummer / part number: **6331-*k, 6341-*k, 6351-*k**

PCE



| Ampere | 63 | | |
|------------|-----|-----|-----|
| Pole | 3 | 4 | 5 |
| a x b [mm] | 100 | 100 | 100 |
| c x d [mm] | 80 | 80 | 80 |
| e [mm] | 39 | 39 | 39 |
| f [mm] | 73 | 73 | 73 |
| g [mm] | 7 | 7 | 7 |
| h [mm] | 77 | 77 | 77 |