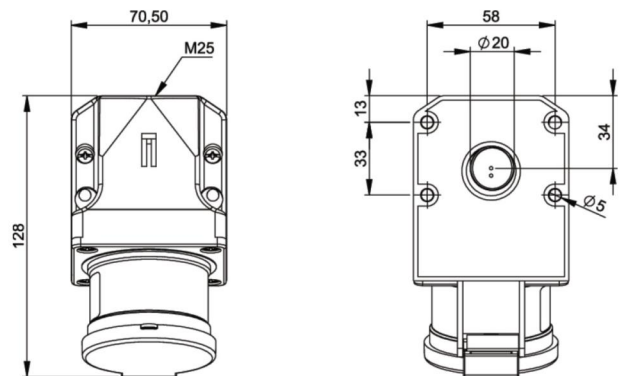


# PCE data sheet

|                        |  |
|------------------------|--|
| article#               | <b>515-9d</b>  |
| article description    | <b>CEE-wall mounted plug 16A 5p 9h IP44 with lid</b>   |
| description long       | CEE-wall mounted plug 16A 5p 9h IP44 with lid<br>housing material: PA6<br>rated current: 16A<br>number of poles: 5 (3P+N+PE)<br>clock-position: 9h<br>rated voltage/frequency: 120/208V~ - 144/250V~ / 50+60Hz<br>contacts: brass<br>connection technology: screw terminals<br>IP protection class: IP44 |
| GTIN (EAN)             | 9003399971204  |
| country of origin      | AT   |
| customs number         | 85366990   |
| net weight             | 0.263 kg   |
| packaging quantity     | 10   |
| minimum order quantity | 10   |

|                           |                             |
|---------------------------|-----------------------------|
| ETIM 7.0                  | EC001319                    |
| IEC-amperage              | 16 A                        |
| Voltage acc. EN 60309-2   | 200-250 V (50+60 Hz) blue V |
| Number of poles           | 5                           |
| Clock hour position       | 9 h                         |
| Identification colour     | Blue                        |
| Degree of protection (IP) | IP44                        |
| Connection system         | Screwed terminal            |
| Construction type         | Surface mounted plug        |
| Phase inverter            | False                       |
| Angle of plug             | Angled                      |
| Material                  | Plastic                     |
| Contact material          | CuZn                        |
| Surface finish contacts   | Untreated                   |

|                    |                       |
|--------------------|-----------------------|
| wire flexible      | 1-2,5 mm <sup>2</sup> |
| wire solid         | 1-4 mm <sup>2</sup>   |
| contact screws     | 100 Ncm               |
| dismantling length | 50 mm                 |
| stripping length   | 10-12 mm              |



b=Höhe/height  
Neigung/angle=15°



[www.manufacturer-safety.info](http://www.manufacturer-safety.info)