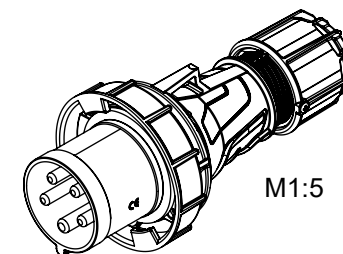
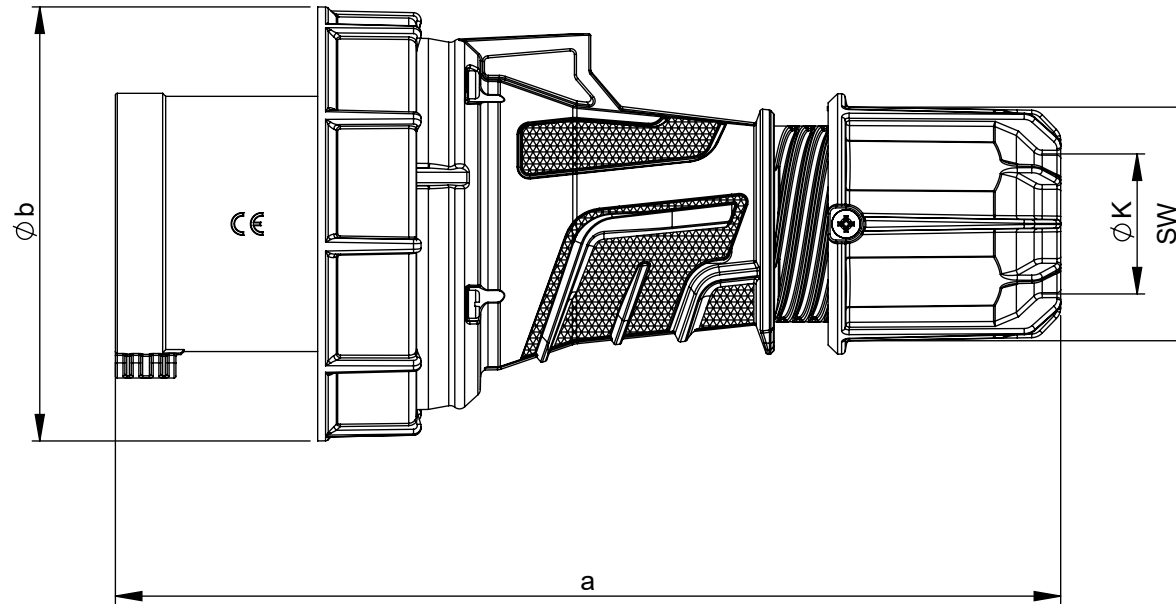


Maßskizze / dimensional drawing

Benennung: Stecker 63A IP66/67 POWER TWIST

description: Plug 63A IP66/67 POWER TWIST

Teilenummer / part number: 033-*, 034-*, 035-*



Ampere	63		
Pole	3	4	5
a [mm]	250	250	250
b [mm]	115	115	115
K [mm]	14,5-36	14,5-36	14,5-36
SW [mm]	61	61	61