

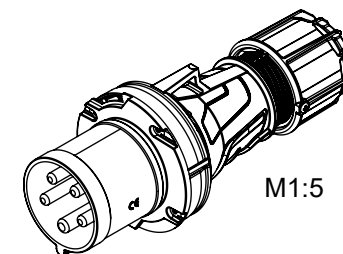
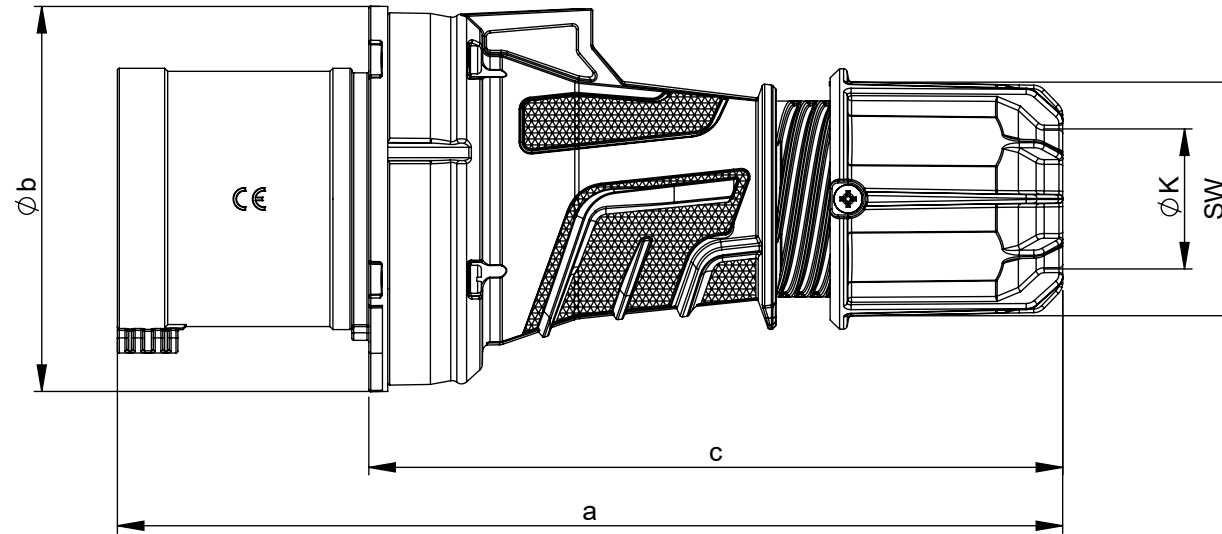
## Maßskizze / dimensional drawing

Benennung: Stecker 63A IP44 POWER TWIST

description: Plug 63A IP44 POWER TWIST

Teilenummer / part number: 0331-\*, 0341-\*, 0351-\*

PCE



Ampere	63		
Pole	3	4	5
a [mm]	250	250	250
b [mm]	102	102	102
c [mm]	184	184	184
K [mm]	14,5-36	14,5-36	14,5-36
SW [mm]	61	61	61