

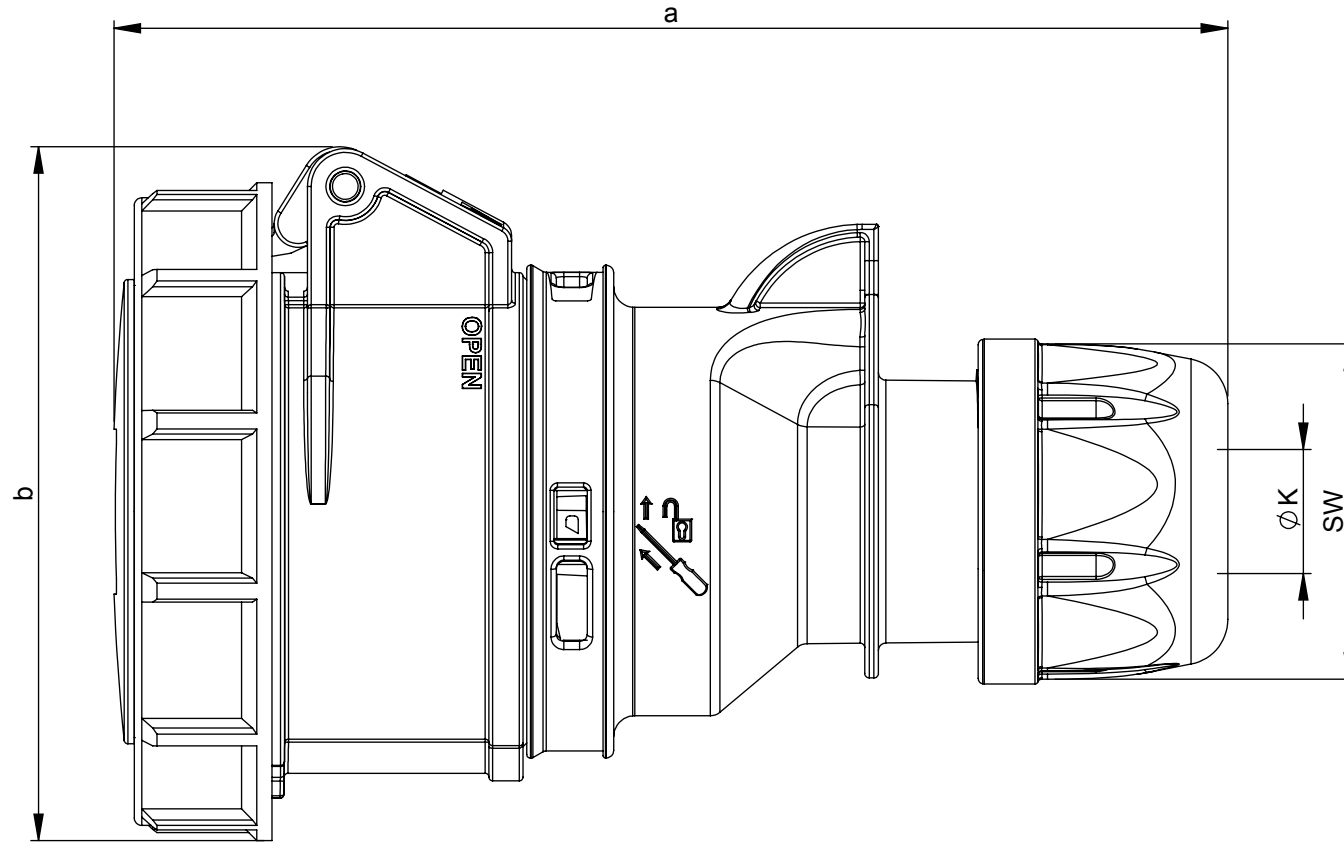
Maßskizze / dimensional drawing

Benennung: Kupplung IP66/67 SHARK

description: Connector IP66/67 SHARK

Teilenummer / part number: 2132-*, 2142-*, 2152-*, 2172-*, 2232-*, 2242-*, 2252-*, 2272-*

PCE



Ampere	16				32			
Pole	3	4	5	7	3	4	5	7
a [mm]	132	139	147	147	163	163	171	171
b [mm]	78	84	92	92	96	96	102	102
K [mm]	6-15	6-15	8-16	8-16	11,5-20	11,5-20	11,5-22	11,5-22
SW [mm]	42	42	42	42	50	50	50	50