

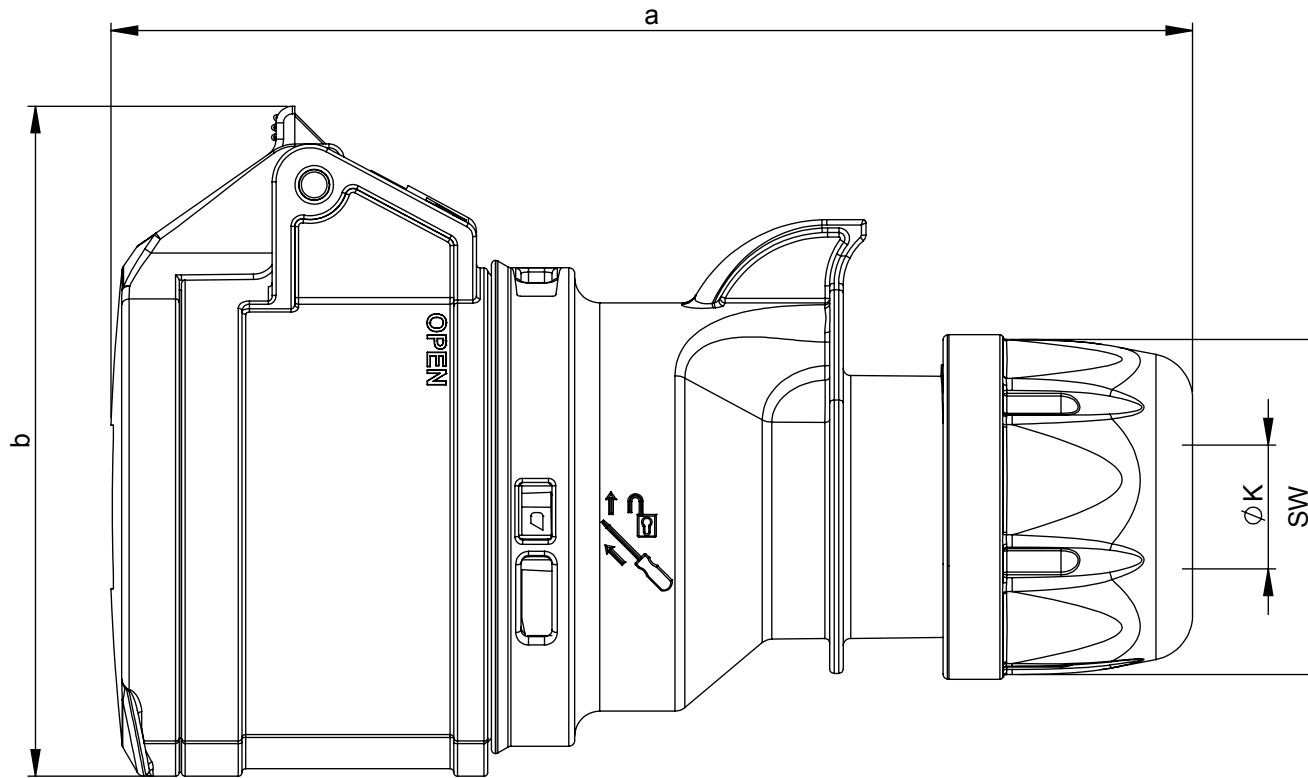
Maßskizze / dimensional drawing

Benennung: Kupplung IP44 SHARK

description: Connector IP44 SHARK

Teilenummer / part number: 213-*, 214-*, 215-*, 217-*, 223-*, 224-*, 225-*, 227-*

PCE



Ampere	16				32			
Pole	3	4	5	7	3	4	5	7
a [mm]	133	138	145	145	161	161	168	168
b [mm]	74	82	89	89	94	94	99	99
K [mm]	6-15	6-15	8-16	8-16	11,5-20	11,5-20	11,5-22	11,5-22
SW [mm]	42	42	42	42	50	50	50	50