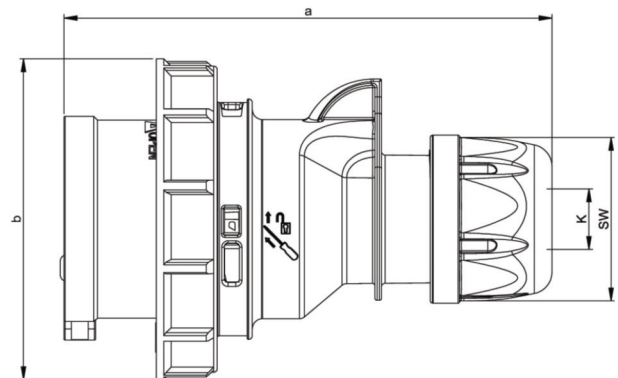


PCE data sheet

| | |
|------------------------|---|
| article# | 0152-10 |
| article description | CEE-plug 16A 5p 10h IP67 SHARK |
| description long | CEE-plug 16A 5p 10h IP67 SHARK housing material: PA6 rated current: 16A number of poles: 5 (3P+N+PE) clock-position: 10h rated voltage/frequency: >50V~ / 100-300Hz contacts: brass connection technology: screw terminals IP protection class: IP66/IP67 |
| GTIN (EAN) | 9003399128899 |
| country of origin | AT |
| customs number | 85366990 |
| packaging quantity | 10 |
| minimum order quantity | 10 |

| | |
|----------------------------|-----------------------------|
| ETIM 7.0 | EC000140 |
| IEC-amperage | 16 A |
| Number of poles | 5 |
| Voltage acc. EN 60309-2 | 50-500 V (100-300 Hz) green |
| Clock hour position | 10 h |
| Identification colour | Green |
| Degree of protection (IP) | IP67 |
| Connection system | Screwed terminal |
| Cable entry | Swivel |
| Angle of plug | Straight |
| Material | Plastic |
| Contact material | CuZn |
| Surface treatment contacts | Untreated |

| | |
|--------------------|-----------------------|
| a | 134 mm |
| b | 87 mm |
| K (cable Ø) | 8-16 mm |
| SW | 42 mm |
| wire flexible | 1-2,5 mm ² |
| contact screws | 100 Ncm |
| strain relief | 500 Ncm |
| dismantling length | 50 mm |
| stripping length | 10-12 mm |



www.manufacturer-safety.info