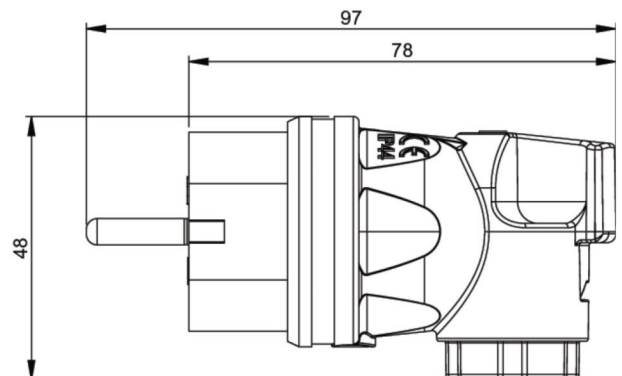


## PCE data sheet

|                        |  |
|------------------------|--|
| article#               | <b>05812-s</b>   |
| article description    | <b>Solid rubber angled plug IP44</b>   |
| description long       | Winkelstecker Vollgummi 16A 2p+E 250V IP44 (schwarz, nach österr./deutsch. System) |
| GTIN (EAN)             | 9003399210815  |
| country of origin      | AT   |
| customs number         | 85366990   |
| net weight             | 0.077 kg   |
| packaging quantity     | 20   |
| minimum order quantity | 20   |

|   |                             |
|---|-----------------------------|
| ETIM 8.0                                      | EC000242                    |
| Model   | Protective contact (SCHUKO) |
| Material                                      | Full rubber                 |
| For heavy conditions (in accordance with VDE) | True                        |
| Degree of protection (IP)                     | IP44                        |
| Angle of plug                                 | Right-angled                |
| Connection system                             | Screwed terminal            |
| Colour  | Black                       |
| Number of poles                               | 3                           |
| Nominal voltage                               | 250 V                       |
| Nominal current                               | 16 A                        |

|                    |                          |
|--------------------|--------------------------|
| K (cable Ø)        | 6-13 mm                  |
| wire flexible      | 0,75-2,5 mm <sup>2</sup> |
| contact screws     | 80 Ncm                   |
| strain relief      | 110 Ncm                  |
| dismantling length | 30 mm                    |
| stripping length   | 7 mm                     |



<https://www.pcelectric.at/shop/en/?func=detail&artnr=05812-s>



[www.manufacturer-safety.info](http://www.manufacturer-safety.info)