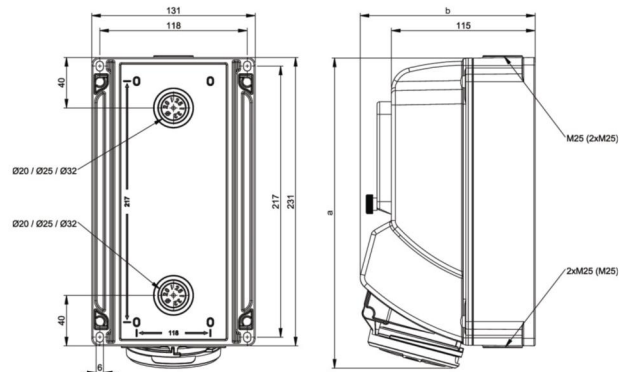


# PCE data sheet

article#	<b>75153-6</b>
article description	<b>CEE-wall mounted socket mit Fenster 16A 5p 6h IP44</b>
description long	CEE-wall mounted socket with window 16A5p 6h IP44 housing material: PC/ABS rated current: 16A number of poles: 5 (3P+N+PE) clock-position: 6h rated voltage/frequency: 200/346V~ - 240/415V~ / 50+60Hz contacts: brass nickel plated connection technology: screw terminals cable entry: top, bottom, rear inc. threaded blind cap with hinged window (5 modules) and DIN rail IP protection class: IP44
GTIN (EAN)	9003399981449
country of origin	AT
customs number	85366990
net weight	0.967 kg
packaging quantity	1

ETIM 7.0	EC000379
CEE socket outlet 16 A	
CEE socket outlet 32 A	
Number of socket outlets with protective contact	
Other fixtures and/or empty locations	5
Material housing	Plastic
Handling	Wall mounting
Degree of protection (IP)	IP54
Colour	Grey

wire flexible	1-2,5 mm <sup>2</sup>
wire solid	1-4 mm <sup>2</sup>
contact screws	100 Ncm
dismantling length	50 mm
stripping length	10-12 mm



[www.manufacturer-safety.info](http://www.manufacturer-safety.info)