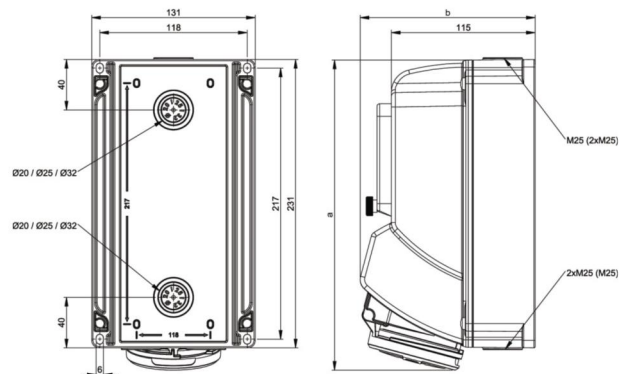


PCE data sheet

article#	75143-6
article description	CEE-wall mounted socket mit Fenster 16A 4p 6h IP44
description long	CEE-wall mounted socket with window 16A 4p 6h IP44 housing material: PC/ABS rated current: 16A number of poles: 4 (3P+PE) clock-position: 6h rated voltage/frequency: 380-415V~ / 50+60Hz contacts: brass nickel plated connection technology: screw terminals cable entry: top, bottom, rear inc. threaded blind cap with hinged window (5 modules) and DIN rail IP protection class: IP44
GTIN (EAN)	9003399982798
country of origin	AT
customs number	85366990
net weight	0.922 kg
packaging quantity	1

ETIM 7.0	EC000379
CEE socket outlet 16 A	
CEE socket outlet 32 A	
Number of socket outlets with protective contact	
Other fixtures and/or empty locations	5
Material housing	Plastic
Handling	Wall mounting
Degree of protection (IP)	IP54
Colour	Grey

wire flexible	1-2,5 mm ²
wire solid	1-4 mm ²
contact screws	100 Ncm
dismantling length	50 mm
stripping length	10-12 mm



www.manufacturer-safety.info