

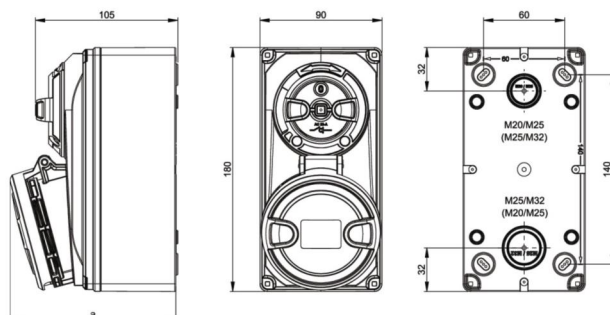
PCE data sheet

article#	6125-6
article description	CEE-switched interlocked socket compact 32A 5p 6h IP44/IP54
description long	CEE-switched interlocked socket compact 32A 5p 6h IP44/IP54 housing material: PA6 + PC/ABS rated current: 32A number of poles: 5 (3P+N+PE) clock-position: 6h rated voltage/frequency: 200/346V~ - 240/415V~ / 50+60Hz contacts: brass nickel plated connection technology: screw terminals wall mounting, mechanical interlock switch: ON/OFF PCE-Merz ML0; EN 60947-3; AC22A, 10kA IP protection class: IP44/IP54 according to standards: IEC / EN 60309-1; IEC / EN 60309-2; IEC / EN 60309-4
GTIN (EAN)	9003399175282
country of origin	AT
customs number	85366990
net weight	0.727 kg
packaging quantity	1
minimum order quantity	1



IEC-amperage	32 A
Number of poles	5
Voltage acc. EN 60309-2	400 V (50+60 Hz) red
Clock hour position	6 h
Identification colour	Red
Degree of protection (IP)	IP54
Switch	Mechanical locking
Material housing	Plastic
Model	Base unit and cover
Contact material	CuZn
Surface finish contacts	Nickel-plated

wire flexible	2,5-6 mm ²
wire solid	2,5-10 mm ²



<https://www.pcelectric.at/shop/en/?func=detail&artnr=6125-6>



www.manufacturer-safety.info