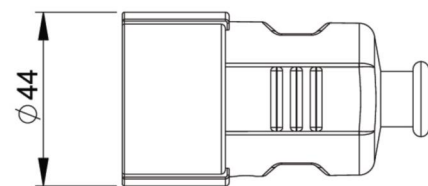
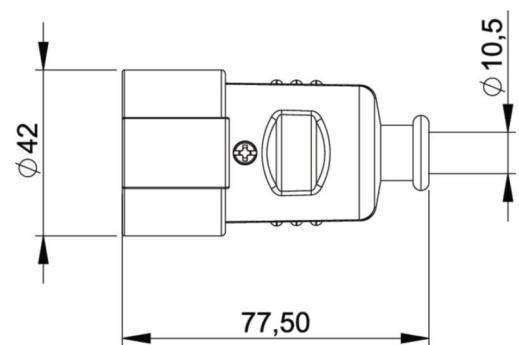


PCE data sheet

article#	05148
article description	safety connector PP nat central white IP20
description long	safety connector PP nat central white IP20 housing material: polypropylen (PP) cable entry: central housing color: white earthing system: Austrian/German standard 250V 16A 2P+E protection rating: IP20
GTIN (EAN)	9003399011313
country of origin	DE
customs number	85369010
net weight	0.045 kg
packaging quantity	25
minimum order quantity	25

ETIM 7.0	EC001327
Model	Protective contact (SCHUKO)
Material	Plastic
Material quality	Thermoplastic
For heavy conditions (in accordance with VDE)	False
Degree of protection (IP)	IP20
Angle of plug	Straight
Connection system	Screwed terminal
Suitable for protective contact pin	False
Colour	White
Number of poles	3
Nominal voltage	250 V
Nominal current	16 A

K (cable Ø)	max. 10,4 mm
wire flexible	0,75-2,5 mm ²
contact screws	40 Ncm
strain relief	50 Ncm
dismantling length	40-45 mm
stripping length	7 mm



www.manufacturer-safety.info