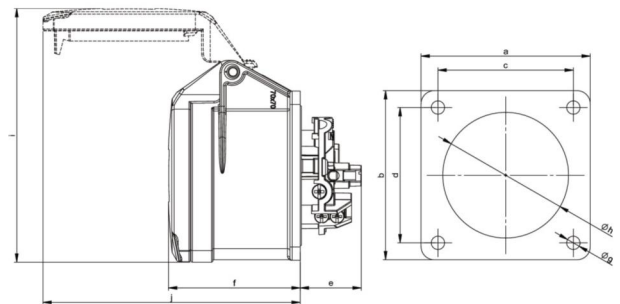


PCE data sheet

article#	317-9v
article description	CEE-flanged socket (70x70mm) 16A 7p 9h IP44/IP54
description long	CEE-flanged socket (70x70mm) 16A 7p 9h IP44/IP54 housing material: PA6 rated current: 16A number of poles: 7 (6P+PE) clock-position: 9h rated voltage/frequency: 220-250V~ / 50+60Hz contacts: brass nickel plated connection technology: screw terminals dimensions (flange/fixing center): 70x70 mm / 56x56 mm IP protection class: IP44/IP54
GTIN (EAN)	9003399045592
country of origin	AT
customs number	85366990
net weight	0.174 kg
packaging quantity	10

ETIM 7.0	EC001317
IEC-amperage	16 A
Voltage acc. EN 60309-2	
Number of poles	7
Clock hour position	9 h
Identification colour	Blue
Degree of protection (IP)	IP54
Connection system	Schraubklemme
Angle of plug	Straight
Material	Plastic
Flange size vertical	70 mm
Drill hole distance vertical	56 mm
Flange size horizontal	70 mm
Drill hole distance horizontal	56 mm



www.manufacturer-safety.info